

# SVENSK STANDARD

## SS-ISO 128-15:2013



Fastställt/Approved: 2013-07-17  
Publicerad/Published: 2013-08-30  
Utgåva/Edition: 1  
Språk/Language: engelska/English  
ICS: 01.100.20; 47.020.01

---

### **Teknisk produktdokumentation (TPD) – Allmänna ritregler – Del 15: Varvsritningar (ISO 128-15:2013, IDT)**

### **Technical product documentation (TPD) – General principles of presentation – Part 15: Presentation of shipbuilding drawings (ISO 128-15:2013, IDT)**

This preview is downloaded from [www.sis.se](http://www.sis.se). Buy the entire standard via <https://www.sis.se/std-98835>

# Standarder får världen att fungera

*SIS (Swedish Standards Institute) är en fristående ideell förening med medlemmar från både privat och offentlig sektor. Vi är en del av det europeiska och globala nätverk som utarbetar internationella standarder. Standarder är dokumenterad kunskap utvecklad av framstående aktörer inom industri, näringsliv och samhälle och befrämjar handel över gränser, bidrar till att processer och produkter blir säkrare samt effektiviserar din verksamhet.*

## Delta och påverka

Som medlem i SIS har du möjlighet att påverka framtida standarder inom ditt område på nationell, europeisk och global nivå. Du får samtidigt tillgång till tidig information om utvecklingen inom din bransch.

## Ta del av det färdiga arbetet

Vi erbjuder våra kunder allt som rör standarder och deras tillämpning. Hos oss kan du köpa alla publikationer du behöver – allt från enskilda standarder, tekniska rapporter och standardpaket till handböcker och onlinetjänster. Genom vår webbtjänst e-nav får du tillgång till ett lättnavigerat bibliotek där alla standarder som är aktuella för ditt företag finns tillgängliga. Standarder och handböcker är källor till kunskap. Vi säljer dem.

## Utveckla din kompetens och lyckas bättre i ditt arbete

Hos SIS kan du gå öppna eller företagsinterna utbildningar kring innehåll och tillämpning av standarder. Genom vår närhet till den internationella utvecklingen och ISO får du rätt kunskap i rätt tid, direkt från källan. Med vår kunskap om standarders möjligheter hjälper vi våra kunder att skapa verklig nytta och lönsamhet i sina verksamheter.

**Vill du veta mer om SIS eller hur standarder kan effektivisera din verksamhet är du välkommen in på [www.sis.se](http://www.sis.se) eller ta kontakt med oss på tel 08-555 523 00.**



# Standards make the world go round

*SIS (Swedish Standards Institute) is an independent non-profit organisation with members from both the private and public sectors. We are part of the European and global network that draws up international standards. Standards consist of documented knowledge developed by prominent actors within the industry, business world and society. They promote cross-border trade, they help to make processes and products safer and they streamline your organisation.*

## Take part and have influence

As a member of SIS you will have the possibility to participate in standardization activities on national, European and global level. The membership in SIS will give you the opportunity to influence future standards and gain access to early stage information about developments within your field.

## Get to know the finished work

We offer our customers everything in connection with standards and their application. You can purchase all the publications you need from us - everything from individual standards, technical reports and standard packages through to manuals and online services. Our web service e-nav gives you access to an easy-to-navigate library where all standards that are relevant to your company are available. Standards and manuals are sources of knowledge. We sell them.

## Increase understanding and improve perception

With SIS you can undergo either shared or in-house training in the content and application of standards. Thanks to our proximity to international development and ISO you receive the right knowledge at the right time, direct from the source. With our knowledge about the potential of standards, we assist our customers in creating tangible benefit and profitability in their organisations.

**If you want to know more about SIS, or how standards can streamline your organisation, please visit [www.sis.se](http://www.sis.se) or contact us on phone +46 (0)8-555 523 00**



Den internationella standarden ISO 128-15:2013 gäller som svensk standard. Detta dokument innehåller den officiella engelska versionen av ISO 128-15:2013.

The International Standard ISO 128-15:2013 has the status of a Swedish Standard. This document contains the official version of ISO 128-15:2013.

© Copyright/Upphovsrätten till denna produkt tillhör SIS, Swedish Standards Institute, Stockholm, Sverige. Användningen av denna produkt regleras av slutanvändarlicensen som återfinns i denna produkt, se standardens sista sidor.

© Copyright SIS, Swedish Standards Institute, Stockholm, Sweden. All rights reserved. The use of this product is governed by the end-user licence for this product. You will find the licence in the end of this document.

*Uppllysningar om sakinnehållet i standarden lämnas av SIS, Swedish Standards Institute, telefon 08-555 520 00. Standarder kan beställas hos SIS Förlag AB som även lämnar allmänna upplysningar om svensk och utländsk standard.*

*Information about the content of the standard is available from the Swedish Standards Institute (SIS), telephone +46 8 555 520 00. Standards may be ordered from SIS Förlag AB, who can also provide general information about Swedish and foreign standards.*

Denna standard är framtagen av kommittén för Teknisk dokumentation, SIS/TK 507/AG 1.

Har du synpunkter på innehållet i den här standarden, vill du delta i ett kommande revideringsarbete eller vara med och ta fram andra standarder inom området? Gå in på [www.sis.se](http://www.sis.se) - där hittar du mer information.



# Contents

Page

<b>Foreword</b> .....	<b>iv</b>
<b>1 Scope</b> .....	<b>1</b>
<b>2 Normative references</b> .....	<b>1</b>
<b>3 General principles</b> .....	<b>1</b>
<b>4 Presentation of drawings</b> .....	<b>1</b>
4.1 Basic requirements.....	1
4.2 View.....	2
4.3 Sectional view.....	3
4.4 Section.....	3
4.5 Partial detailed drawing.....	6
4.6 Special drawing methods.....	7
4.7 Simplified representation.....	7
<b>5 Coding and arrangement</b> .....	<b>9</b>
5.1 The coding of station, waterline and buttock lines.....	9
5.2 Coding of frame.....	9
5.3 Coding of the outer shell plate.....	10
5.4 Coding of stringer.....	10
5.5 Coding of liquid tank and cargo hold.....	10
<b>6 Graphic symbols</b> .....	<b>10</b>
<b>Bibliography</b> .....	<b>12</b>

## Foreword

ISO (the International Organization for Standardization) is a worldwide federation of national standards bodies (ISO member bodies). The work of preparing International Standards is normally carried out through ISO technical committees. Each member body interested in a subject for which a technical committee has been established has the right to be represented on that committee. International organizations, governmental and non-governmental, in liaison with ISO, also take part in the work. ISO collaborates closely with the International Electrotechnical Commission (IEC) on all matters of electrotechnical standardization.

The procedures used to develop this document and those intended for its further maintenance are described in the ISO/IEC Directives, Part 1. In particular the different approval criteria needed for the different types of ISO documents should be noted. This document was drafted in accordance with the editorial rules of the ISO/IEC Directives, Part 2. [www.iso.org/directives](http://www.iso.org/directives)

Attention is drawn to the possibility that some of the elements of this document may be the subject of patent rights. ISO shall not be held responsible for identifying any or all such patent rights. Details of any patent rights identified during the development of the document will be in the Introduction and/or on the ISO list of patent declarations received. [www.iso.org/patents](http://www.iso.org/patents)

Any trade name used in this document is information given for the convenience of users and does not constitute an endorsement.

The committee responsible for this document is ISO/TC 10, *Technical product documentation*, Subcommittee SC 6, *Mechanical engineering documentation*.

ISO 128 consists of the following parts, under the general title *Technical drawings — General principles of presentation*:

- *Part 1: Introduction and index*
- *Part 15: Presentation of shipbuilding drawings*
- *Part 20: Basic conventions for lines*
- *Part 21: Preparation of lines by CAD systems*
- *Part 22: Basic conventions and applications for leader lines and reference lines*
- *Part 23: Lines on construction drawings*
- *Part 24: Lines on mechanical engineering drawings*
- *Part 25: Lines on shipbuilding drawings*
- *Part 30: Basic conventions for views*
- *Part 34: Views on mechanical engineering drawings*
- *Part 40: Basic conventions for cuts and sections*
- *Part 44: Sections on mechanical engineering drawings*
- *Part 50: Basic conventions for representing areas on cuts and sections*
- *Part 71: Simplified representation for mechanical engineering drawings [Technical Specification]*

# Technical product documentation (TPD) — General principles of presentation —

## Part 15: Presentation of shipbuilding drawings

### 1 Scope

This part of ISO 128 specifies the presentation of shipbuilding drawings for general use on metal hulls.

### 2 Normative references

The following documents, in whole or in part, are normatively referenced in this document and are indispensable for its application. For dated references, only the edition cited applies. For undated references, the latest edition of the referenced document (including any amendments) applies.

ISO 128-25, *Technical drawings — General principles of presentation — Part 25: Lines on shipbuilding drawings*

ISO 3098-2, *Technical product documentation — Lettering — Part 2: Latin alphabet, numerals and marks*

ISO 5455, *Technical drawings — Scales*

ISO 5457, *Technical product documentation — Sizes and layout of drawing sheets*

ISO 6428, *Technical drawings — Requirements for microcopying*

### 3 General principles

The rules of sizes and layout of drawing sheets given in ISO 5457 apply.

The rules of scales given in ISO 5455 apply.

The basic types of lines, their designations and dimensions as well as general for draughting of line given in ISO 128-25 apply.

The requirements for microcopying given in ISO 6428 apply.

NOTE All figures in this International Standard are in the first angle projection method. The third angle projection method could equally well have been used without prejudice to the principles established.

### 4 Presentation of drawings

#### 4.1 Basic requirements

4.1.1 The drawings shall be made in orthographic projection.

4.1.2 On the drawings, the stern is to the left and the bow is to the right.

4.1.3 The name of view (identification letter) is indicated at the top of the drawing.

**4.1.4** The layout of the drawing shall be presented clearly and concisely. For drawings of the entire vessel, generally, the side view is in the upper position of the drawing and plan view is in middle or lower position. For drawings of the block structure, normally, the side view (longitudinal section in centerplane, outer shell-plate developed view) is in the upper left or middle left and the plan view (platform, deck and bilge drawing) is in the lower left or middle left. The section and detailed drawings are located on the right side or another blank space on the drawings.

## 4.2 View

### 4.2.1 Basic view

The basic view is the drawing of hull and structure projected at basic projection planes. The basic views generally comprise of side view, plan view, bow view and stern view.

### 4.2.2 Directional view

The directional view is the drawing of hull and structure projected at certain direction. The projection direction and view name are expressed with identification letter symbol and capital Latin letter for directional view. See [Figures 1 a\)](#) and [c\)](#).

When the directional view is used to show that the structure is not in the same plane, the structure shall be developed to be in the same plane as shown in [Figures 1 b\)](#) and [c\)](#).

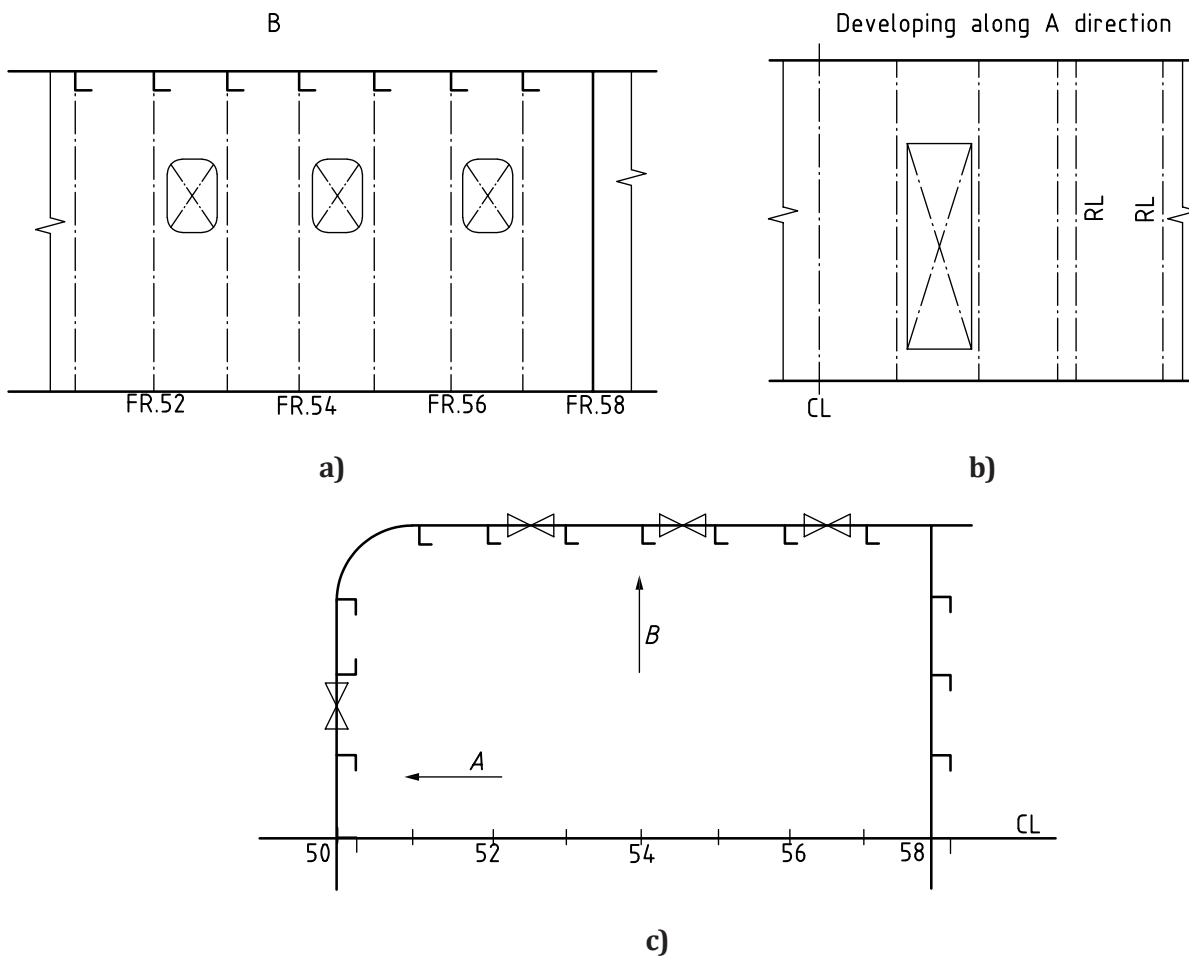


Figure 1



### 4.3 Sectional view

When the structure has symmetrical planes, it can be divided at the centerline of symmetry with one part shown by a sectional view and the other part by another view, such as a double-bottom plan view.

A partial sectional view can be used to show the part structure.

A breaking line or a wavy continuous line can be used as a dividing line between the sectional view and other views on the plan drawings. See [Figure 2](#).

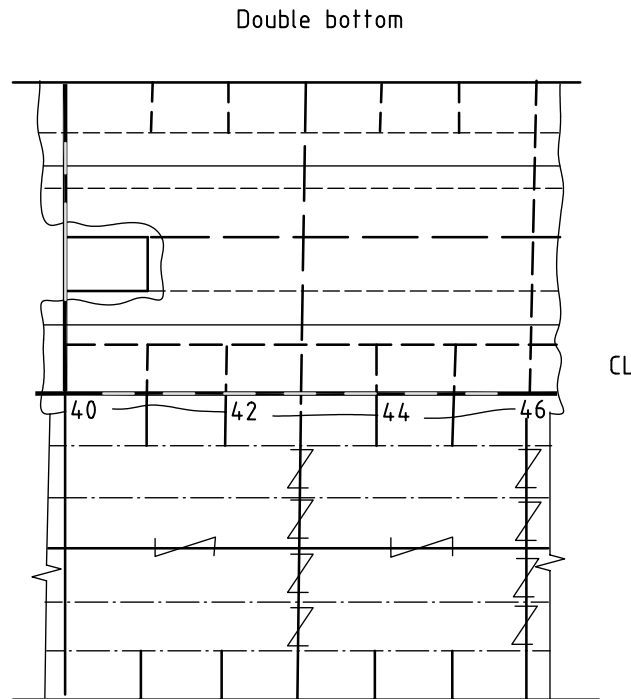


Figure 2

### 4.4 Section

#### 4.4.1 Frame section

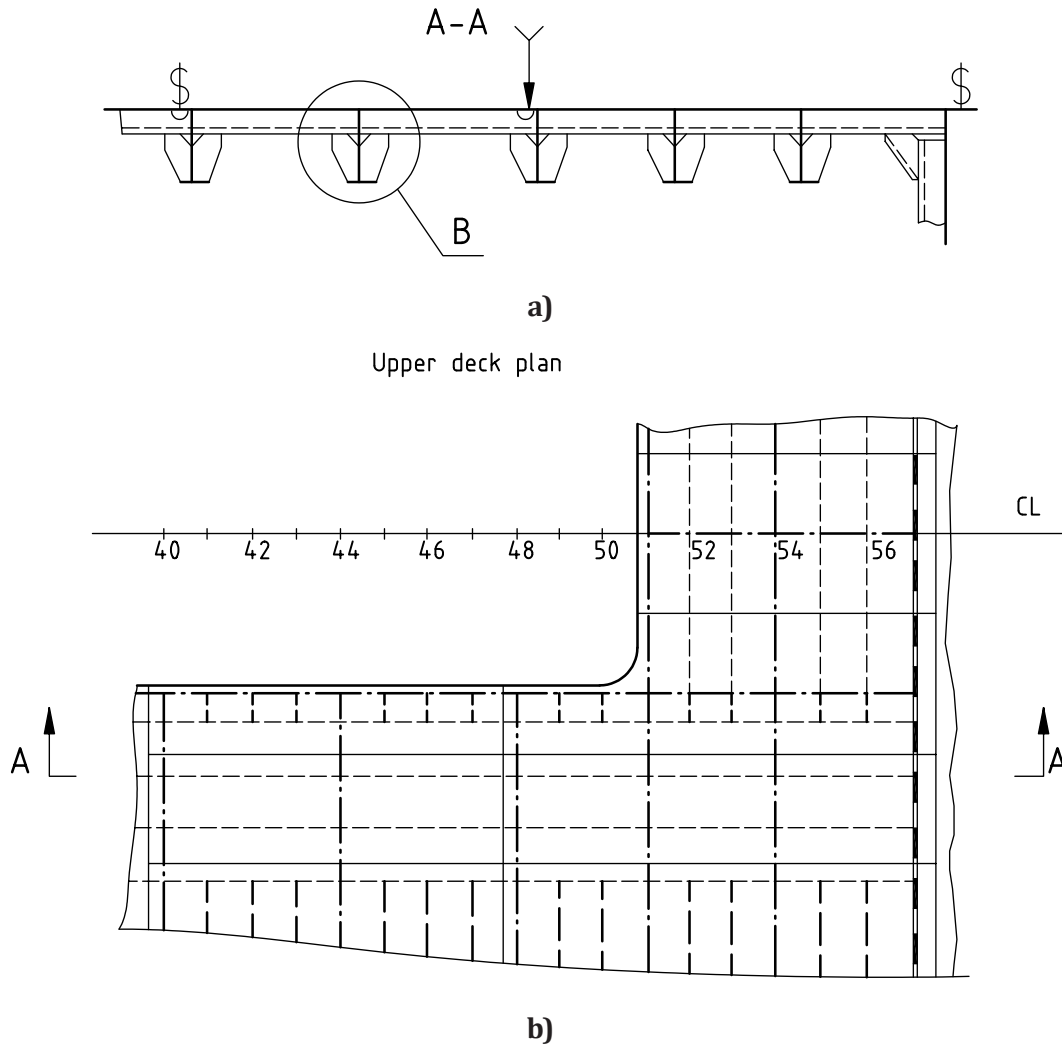
The frame section is the section used to show the structural form at the frame which is indicated by frame number and view symbol to show section position, section name and projection direction.

EXAMPLE  $\xrightarrow{FR55}$  (indicating the section at frame no. 55, bow direction),  $\xleftarrow{FR60}$  (FR61- FR65 similar) (indicating the section at frame no. 60 stern direction. The frame between no. 61-65 in the stern direction is similar). See [Figure 3 c](#)).

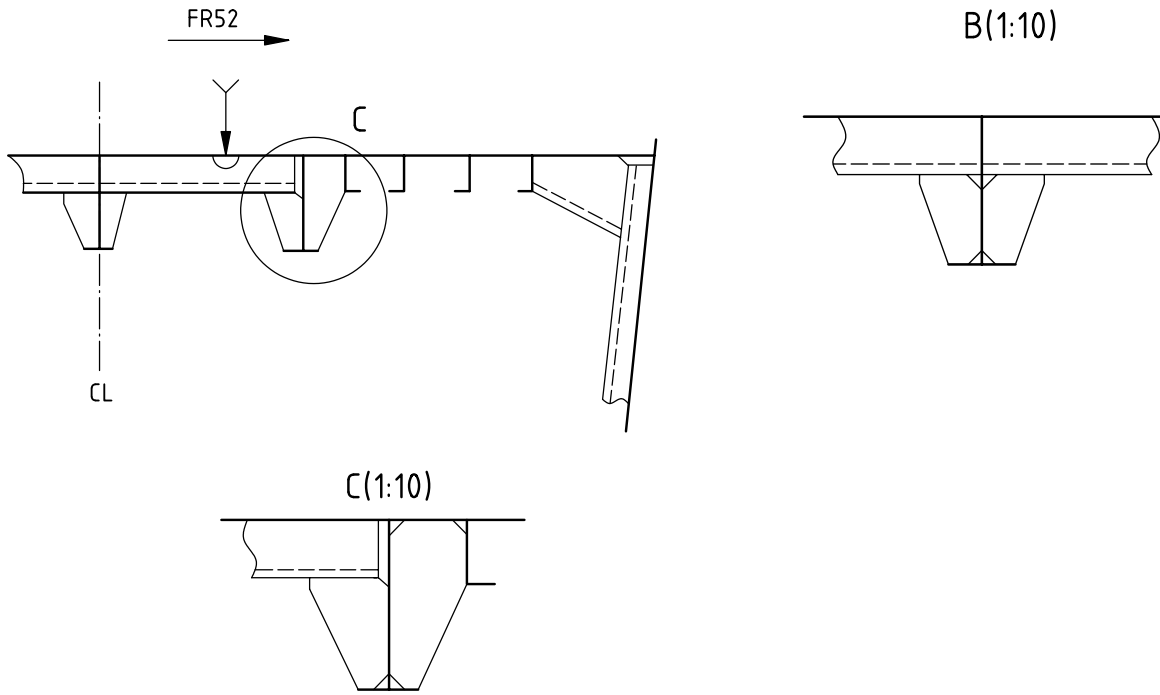
#### 4.4.2 General section

The general section refers to the section at every other position except the frame, which is indicated by section symbol and capital Latin letter to show section position, section name and projection direction. See [Figures 3 a](#)) and b).

The section may also be drawn directly on the extension line (long-dashed dotted narrow line) of the section trace without any other indications. See [Figure 4](#). When necessary, it may be drawn with magnification scale.



**Figure 3** (continued on the next page)



c)

Figure 3

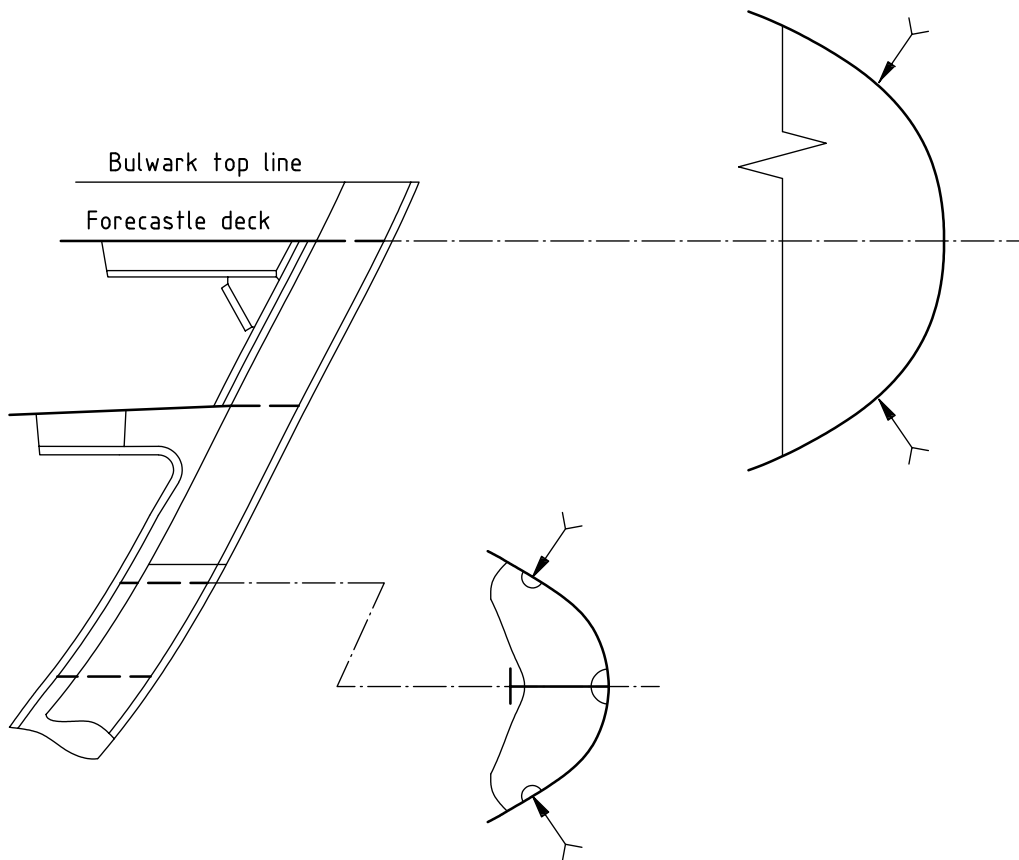


Figure 4