

# SVENSK STANDARD

## SS-ISO 15829:2013



Fastställt/Approved: 2013-06-29  
Publicerad/Published: 2013-07-03  
Utgåva/Edition: 1  
Språk/Language: engelska/English  
ICS: 43.020

---

### **Vägfordon – Sidokollisionsprovning för värdering av interaktion med sidokrockkudde för passagerare vid stolpkrocksimulering (ISO 15829:2013, IDT)**

**Road vehicles – Side impact test procedures for the evaluation of occupant interactions with side airbags by pole impact simulation (ISO 15829:2013, IDT)**

This preview is downloaded from [www.sis.se](http://www.sis.se). Buy the entire standard via <https://www.sis.se/std-98573>

# Standarder får världen att fungera

*SIS (Swedish Standards Institute) är en fristående ideell förening med medlemmar från både privat och offentlig sektor. Vi är en del av det europeiska och globala nätverk som utarbetar internationella standarder. Standarder är dokumenterad kunskap utvecklad av framstående aktörer inom industri, näringsliv och samhälle och befrämjar handel över gränser, bidrar till att processer och produkter blir säkrare samt effektiviserar din verksamhet.*

## Delta och påverka

Som medlem i SIS har du möjlighet att påverka framtida standarder inom ditt område på nationell, europeisk och global nivå. Du får samtidigt tillgång till tidig information om utvecklingen inom din bransch.

## Ta del av det färdiga arbetet

Vi erbjuder våra kunder allt som rör standarder och deras tillämpning. Hos oss kan du köpa alla publikationer du behöver – allt från enskilda standarder, tekniska rapporter och standardpaket till handböcker och onlinetjänster. Genom vår webbtjänst e-nav får du tillgång till ett lättnavigerat bibliotek där alla standarder som är aktuella för ditt företag finns tillgängliga. Standarder och handböcker är källor till kunskap. Vi säljer dem.

## Utveckla din kompetens och lyckas bättre i ditt arbete

Hos SIS kan du gå öppna eller företagsinterna utbildningar kring innehåll och tillämpning av standarder. Genom vår närhet till den internationella utvecklingen och ISO får du rätt kunskap i rätt tid, direkt från källan. Med vår kunskap om standarders möjligheter hjälper vi våra kunder att skapa verklig nytta och lönsamhet i sina verksamheter.

**Vill du veta mer om SIS eller hur standarder kan effektivisera din verksamhet är du välkommen in på [www.sis.se](http://www.sis.se) eller ta kontakt med oss på tel 08-555 523 00.**



# Standards make the world go round

*SIS (Swedish Standards Institute) is an independent non-profit organisation with members from both the private and public sectors. We are part of the European and global network that draws up international standards. Standards consist of documented knowledge developed by prominent actors within the industry, business world and society. They promote cross-border trade, they help to make processes and products safer and they streamline your organisation.*

## Take part and have influence

As a member of SIS you will have the possibility to participate in standardization activities on national, European and global level. The membership in SIS will give you the opportunity to influence future standards and gain access to early stage information about developments within your field.

## Get to know the finished work

We offer our customers everything in connection with standards and their application. You can purchase all the publications you need from us - everything from individual standards, technical reports and standard packages through to manuals and online services. Our web service e-nav gives you access to an easy-to-navigate library where all standards that are relevant to your company are available. Standards and manuals are sources of knowledge. We sell them.

## Increase understanding and improve perception

With SIS you can undergo either shared or in-house training in the content and application of standards. Thanks to our proximity to international development and ISO you receive the right knowledge at the right time, direct from the source. With our knowledge about the potential of standards, we assist our customers in creating tangible benefit and profitability in their organisations.

**If you want to know more about SIS, or how standards can streamline your organisation, please visit [www.sis.se](http://www.sis.se) or contact us on phone +46 (0)8-555 523 00**



Den internationella standarden ISO 15829:2013 gäller som svensk standard. Detta dokument innehåller den officiella engelska versionen av ISO 15829:2013.

The International Standard ISO 15829:2013 has the status of a Swedish Standard. This document contains the official version of ISO 15829:2013.

© Copyright/Upphovsrätten till denna produkt tillhör SIS, Swedish Standards Institute, Stockholm, Sverige. Användningen av denna produkt regleras av slutanvändarlicensen som återfinns i denna produkt, se standardens sista sidor.

© Copyright SIS, Swedish Standards Institute, Stockholm, Sweden. All rights reserved. The use of this product is governed by the end-user licence for this product. You will find the licence in the end of this document.

*Upplysningar om sakinnehållet i standarden lämnas av SIS, Swedish Standards Institute, telefon 08-555 520 00. Standarder kan beställas hos SIS Förlag AB som även lämnar allmänna upplysningar om svensk och utländsk standard.*

*Information about the content of the standard is available from the Swedish Standards Institute (SIS), telephone +46 8 555 520 00. Standards may be ordered from SIS Förlag AB, who can also provide general information about Swedish and foreign standards.*

Denna standard är framtagen av kommittén för Fordonssäkerhet, SIS/TK 237.

Har du synpunkter på innehållet i den här standarden, vill du delta i ett kommande revideringsarbete eller vara med och ta fram andra standarder inom området? Gå in på [www.sis.se](http://www.sis.se) - där hittar du mer information.



# Contents

Page

<b>Foreword</b> .....	<b>iv</b>
<b>Introduction</b> .....	<b>v</b>
<b>1 Scope</b> .....	<b>1</b>
<b>2 Normative references</b> .....	<b>1</b>
<b>3 Terms and definitions</b> .....	<b>1</b>
<b>4 Test facility and equipment</b> .....	<b>2</b>
4.1 Impact test site.....	2
4.2 Pole.....	2
<b>5 Test configurations</b> .....	<b>2</b>
5.1 Angle of impact.....	2
5.2 Locus of the impact on the test vehicle.....	2
5.3 Impact velocity.....	4
<b>6 Preparation of the test vehicle</b> .....	<b>5</b>
6.1 Mass of the test vehicle.....	5
6.2 Condition of the test vehicle.....	6
<b>7 Test devices</b> .....	<b>6</b>
<b>8 Instrumentation</b> .....	<b>6</b>
8.1 General.....	6
8.2 Vehicle instrumentation.....	6
8.3 High speed photography.....	7
<b>9 Impact response measurements</b> .....	<b>8</b>
<b>Bibliography</b> .....	<b>10</b>

## Foreword

ISO (the International Organization for Standardization) is a worldwide federation of national standards bodies (ISO member bodies). The work of preparing International Standards is normally carried out through ISO technical committees. Each member body interested in a subject for which a technical committee has been established has the right to be represented on that committee. International organizations, governmental and non-governmental, in liaison with ISO, also take part in the work. ISO collaborates closely with the International Electrotechnical Commission (IEC) on all matters of electrotechnical standardization.

International Standards are drafted in accordance with the rules given in the ISO/IEC Directives, Part 2.

The main task of technical committees is to prepare International Standards. Draft International Standards adopted by the technical committees are circulated to the member bodies for voting. Publication as an International Standard requires approval by at least 75 % of the member bodies casting a vote.

Attention is drawn to the possibility that some of the elements of this document may be the subject of patent rights. ISO shall not be held responsible for identifying any or all such patent rights.

ISO 15829 was prepared by Technical Committee ISO/TC 22, *Road vehicles*, Subcommittee SC 10, *Impact test procedures*.

This second edition cancels and replaces the first edition (ISO 15829:2004), which has been technically revised.

## **Introduction**

Side airbags/curtains (SAB) are deployable devices intended to help reduce the risk of injury to the head or the chest or the pelvis of vehicle occupants in side impact collisions. Side impact accident data indicate that the vehicle side is most likely to contact a passenger car, a truck or a fixed object, such as a pole or a tree. Accident data also indicate that serious to fatal injury in side impact is most likely to occur to the head and chest regions.





# Road vehicles — Side impact test procedures for the evaluation of occupant interactions with side airbags by pole impact simulation

## 1 Scope

This International Standard specifies dynamic side impact test procedures with poles for evaluating the effects of the interaction between side airbags and occupants of road vehicles.

## 2 Normative references

The following documents, in whole or in part, are normatively referenced in this document and are indispensable for its application. For dated references, only the edition cited applies. For undated references, the latest edition of the referenced document (including any amendments) applies..

ISO 1176:1990, *Road vehicles — Masses — Vocabulary and codes*

ISO 6487, *Road vehicles — Measurement techniques in impact tests — Instrumentation*

ISO 8721, *Road vehicles — Measurement techniques in impact tests — Optical instrumentation*

ISO/TR 27957, *Road vehicles — Temperature measurement in anthropomorphic test devices — Definition of the temperature sensor locations*

ISO 15830-4<sup>1)</sup>, *Road vehicles — Design and performance specifications for the WorldSID 50th percentile male side impact dummy — Part 4: User's manual*

ISO 17949, *Impact test procedures for road vehicles — Seating and positioning procedures for anthropomorphic test devices — Procedure for the WorldSID 50th percentile male side-impact dummy in front outboard seating positions*

## 3 Terms and definitions

For the purposes of this document, the following terms and definitions apply.

### 3.1

#### **side airbag**

#### **SAB**

airbag designed primarily to help reduce occupant injury potential where the significant collision force vector is lateral

### 3.1.1

#### **head airbag**

#### **curtain airbag**

airbag that deploys between the occupants' head and the vehicle side structure or an external object that could contact the head

### 3.1.2

#### **chest airbag**

#### **thorax airbag**

airbag that deploys between the occupant's upper torso and the vehicle side structure

---

1) To be published.

### 3.1.3

#### **pelvic airbag**

airbag that deploys between an occupant's pelvis/thigh area and the vehicle side structure

### 3.1.4

#### **combination airbag**

airbag that deploys to help protect two or more body areas of an occupant

EXAMPLE Head and chest combination airbag.

### 3.2

#### **rigid pole**

vertically-oriented, cylindrical, rigid structure, extending beyond the anticipated lower and upper boundary of the deformed test vehicle, in the region of impact

## 4 Test facility and equipment

### 4.1 Impact test site

The impact test track shall be a horizontal, smooth and hard surface, which is of sufficient length and area to allow for a monotonic acceleration of the test vehicle to the specified impact speed and to permit post impact deceleration and displacement of the test vehicle without secondary impacts.

### 4.2 Pole

The pole shall be  $254 \text{ mm} \pm 3 \text{ mm}$  in diameter. The supporting structure of the pole shall not interfere with the test vehicle during the collision and shall be designed to reduce the risk of a secondary impact

## 5 Test configurations

### 5.1 Angle of impact

- a) Oblique tests shall be performed with an impact angle of  $75^\circ \pm 3^\circ$ .
- b) Perpendicular tests shall be performed with an impact angle of  $90^\circ \pm 3^\circ$ .

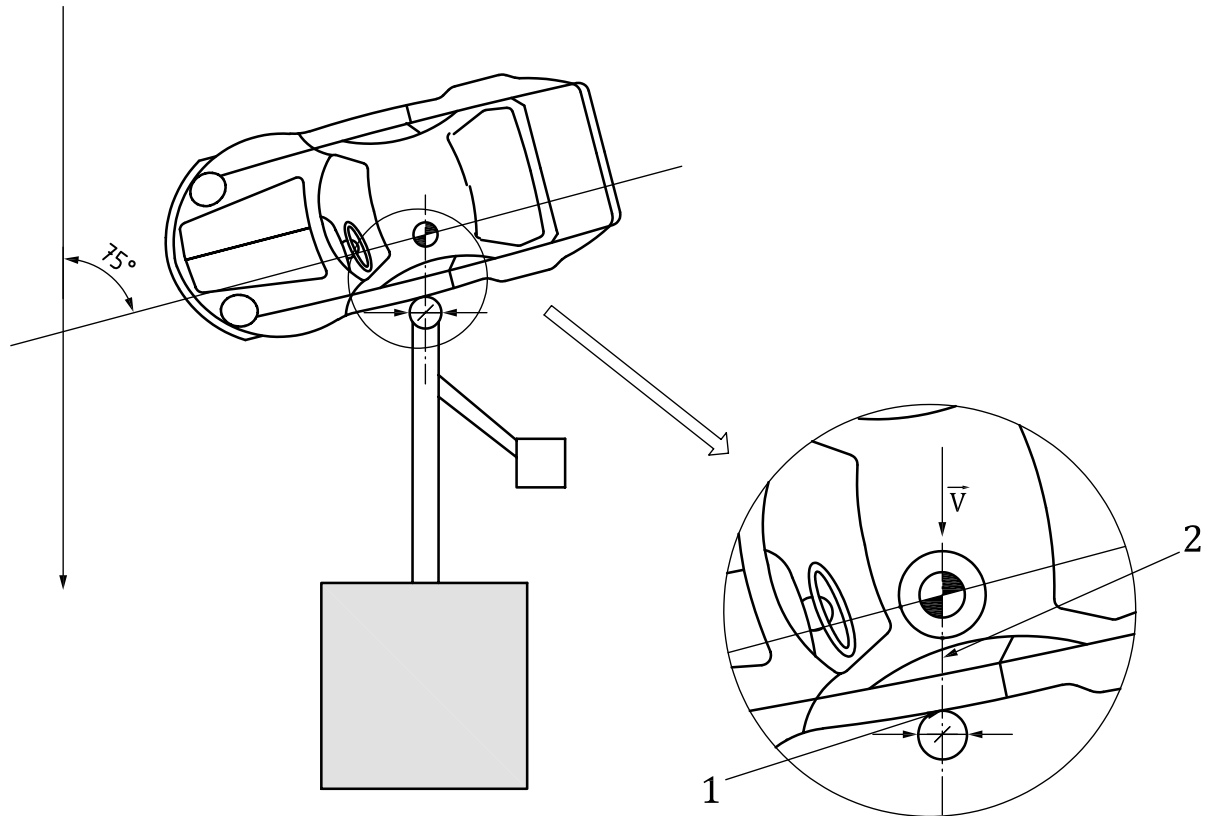
### 5.2 Locus of the impact on the test vehicle

The test vehicle may be impacted from either side.

The vehicle should be positioned so that the CG of the head is aligned with the centre of the pole, along the direction of impact ( $75^\circ$  or  $90^\circ$  from the longitudinal axis of the vehicle).

#### 5.2.1 Impact reference line for oblique test

A vertical impact reference line shall be established on the test vehicle at the intersection of a vertical plane drawn through the dummy head CG of the front outboard designated dummy. The plane should be oriented at  $75^\circ$  with respect to the front, longitudinal axis of the vehicle (front outboard designated seating position) and the exterior door surface (See [Figure 1](#)).



**Key**

- 1 First contact with vehicle
- 2 Alignment of CG with pole

NOTE 1 The impact reference line is established after the dummy is in its final position.

NOTE 2 The vertical impact reference line should be aligned with the centreline of the rigid pole.

NOTE 3 The maximum offset optimal value is set to  $\pm 10$  mm.

NOTE 4 The offset value should be kept within  $\pm 25$  mm for the test to be considered acceptable. However if the offset value is over  $\pm 10$  mm, some care should be taken in the interpretation of the results.

**Figure 1 — Test configuration for 75° angle impact**

**5.2.2 Impact Reference Line for perpendicular test**

A vertical impact reference line shall be established on the test vehicle at the intersection of the vertical transverse plane through the dummy head CG (front outboard designated seating position) and the exterior door surface (See [Figure 2](#)).