

INTERNATIONAL STANDARD

ISO 1182

Fifth edition
2010-05-15

Reaction to fire tests for products — Non-combustibility test

*Essais de réaction au feu de produits — Essai
d'incombustibilité*



Reference number
ISO 1182:2010(E)

PDF disclaimer

This PDF file may contain embedded typefaces. In accordance with Adobe's licensing policy, this file may be printed or viewed but shall not be edited unless the typefaces which are embedded are licensed to and installed on the computer performing the editing. In downloading this file, parties accept therein the responsibility of not infringing Adobe's licensing policy. The ISO Central Secretariat accepts no liability in this area.

Adobe is a trademark of Adobe Systems Incorporated.

Details of the software products used to create this PDF file can be found in the General Info relative to the file; the PDF-creation parameters were optimized for printing. Every care has been taken to ensure that the file is suitable for use by ISO member bodies. In the unlikely event that a problem relating to it is found, please inform the Central Secretariat at the address given below.



COPYRIGHT PROTECTED DOCUMENT

© ISO 2010

All rights reserved. Unless otherwise specified, no part of this publication may be reproduced or utilized in any form or by any means, electronic or mechanical, including photocopying and microfilm, without permission in writing from either ISO at the address below or ISO's member body in the country of the requester.

ISO copyright office
Case postale 56 • CH-1211 Geneva 20
Tel. + 41 22 749 01 11
Fax + 41 22 749 09 47
E-mail copyright@iso.org
Web www.iso.org

Published in Switzerland

Contents	Page
Foreword	iv
Introduction.....	v
1 Scope	1
2 Normative references	1
3 Terms and definitions	1
4 Apparatus	2
4.1 General	2
4.2 Furnace, draught shield and stand	3
4.3 Specimen holder and insertion device	3
5 Test specimen	9
5.1 General	9
5.2 Preparation	9
5.3 Number	10
6 Conditioning	10
7 Test procedure	10
7.1 Test environment	10
7.2 Set-up procedure	11
7.3 Calibration procedure	12
7.4 Standard test procedure	16
7.5 Observations during test	17
8 Expression of results	17
8.1 Mass loss	17
8.2 Flaming	17
8.3 Temperature rise	18
9 Test report	18
Annex A (informative) Precision of test method	19
Annex B (informative) Typical designs of test apparatus	22
Annex C (normative) Thermocouples for additional measurements	26
Annex D (informative) Temperature recording	28
Bibliography	32

ISO 1182:2010(E)**Foreword**

ISO (the International Organization for Standardization) is a worldwide federation of national standards bodies (ISO member bodies). The work of preparing International Standards is normally carried out through ISO technical committees. Each member body interested in a subject for which a technical committee has been established has the right to be represented on that committee. International organizations, governmental and non-governmental, in liaison with ISO, also take part in the work. ISO collaborates closely with the International Electrotechnical Commission (IEC) on all matters of electrotechnical standardization.

International Standards are drafted in accordance with the rules given in the ISO/IEC Directives, Part 2.

The main task of technical committees is to prepare International Standards. Draft International Standards adopted by the technical committees are circulated to the member bodies for voting. Publication as an International Standard requires approval by at least 75 % of the member bodies casting a vote.

Attention is drawn to the possibility that some of the elements of this document may be the subject of patent rights. ISO shall not be held responsible for identifying any or all such patent rights.

ISO 1182 was prepared by Technical Committee ISO/TC 92, *Fire safety*, Subcommittee SC 1, *Fire initiation and growth*.

This fifth edition cancels and replaces the fourth edition (ISO 1182:2002), which has been technically revised.

Introduction

This fire test has been developed for use by those responsible for the selection of construction products which, whilst not completely inert, produce only a very limited amount of heat and flame when exposed to temperatures of approximately 750 °C.

The limitation of the field of application to testing homogeneous products and substantial components of non-homogeneous products was introduced because of problems in defining specifications for the specimens. The design of the specimen of non-homogeneous products strongly influences the test results, which is the reason non-homogeneous products cannot be tested to this International Standard.

Reaction to fire tests for products — Non-combustibility test

SAFETY PRECAUTIONS — The attention of all persons concerned with managing and carrying out this test is drawn to the fact that fire testing can be hazardous and that there is a possibility that toxic, harmful smoke and gases can be evolved during the test. Operational hazards can also arise during the testing of specimens and the disposal of test residues.

An assessment of all potential hazards and risks to health should be made and safety precautions should be identified and provided. Written safety instructions should be issued. Appropriate training should be given to relevant personnel. Laboratory personnel should ensure that they follow written safety instructions at all times.

1 Scope

This International Standard specifies a method of test for determining the non-combustibility performance, under specified conditions, of homogeneous products and substantial components of non-homogeneous products.

Information on the precision of the test method is given in Annex A.

2 Normative references

The following referenced documents are indispensable for the application of this document. For dated references, only the edition cited applies. For undated references, the latest edition of the referenced document (including any amendments) applies.

ISO 13943, *Fire safety — Vocabulary*

IEC 60584-2, *Thermocouples — Part 2: Tolerances*

EN 13238, *Reaction to fire tests for building products — Conditioning procedures and general rules for selection of substrates*

3 Terms and definitions

For the purposes of this document, the terms and definitions given in ISO 13943 and the following apply.

3.1

product

material, element or component about which information is required

3.2

material

single basic substance or uniformly dispersed mixture of substances

NOTE Examples of materials are metal, stone, timber, concrete, mineral wool with uniformly dispersed binder and polymers.

ISO 1182:2010(E)

- 3.3**
loose fill material
material without any physical shape
- 3.4**
homogeneous product
product, consisting of a single material, having uniform density and composition throughout
- 3.5**
non-homogeneous product
product, composed of more than one component, substantial or non-substantial, not having uniform density and composition throughout
- 3.6**
substantial component
material that constitutes a significant part of a non-homogeneous product and that has a mass/unit area $> 1,0 \text{ kg/m}^2$ or a thickness $\geq 1,0 \text{ mm}$
- 3.7**
non-substantial component
material that does not constitute a significant part of a non-homogeneous product and that has a mass/unit area $< 1,0 \text{ kg/m}^2$ and a thickness $< 1,0 \text{ mm}$
- 3.8**
sustained flaming
persistence of flame at any part of the visible part of the specimen lasting 5 s or longer

NOTE Steady blue-coloured luminous gas zones should not be regarded as flaming. Such gas zones should only be noted under "observations during test" in the test report.

4 Apparatus

4.1 General

The test apparatus shall be capable of creating the conditions specified in 7.1. A typical design of furnace is given in Annex B; other designs of furnace may be used.

NOTE 1 All dimensions given in the description of the test apparatus are nominal values, unless tolerances are specified.

The apparatus shall consist of a furnace comprising essentially a refractory tube surrounded by a heating coil and enclosed in an insulated surround. A cone-shaped airflow stabilizer shall be attached to the base of the furnace and a draught shield to its top.

The furnace shall be mounted on a stand and shall be equipped with a specimen holder and a device for inserting the specimen-holder into the furnace tube.

Thermocouples, as specified in 4.4, shall be provided for measuring the furnace temperature and the furnace wall temperature. The thermal sensor, as specified in 4.5, shall be provided for measuring the furnace temperature along its central axis.

NOTE 2 Annex C gives details of additional thermocouples to be used if the specimen surface temperature and the specimen centre temperature are required.

4.2 Furnace, draught shield and stand

4.2.1 Furnace tube, made of an alumina refractory material as specified in Table 1, of density $(2\,800 \pm 300)$ kg/m³. It shall be (150 ± 1) mm high with an internal diameter of (75 ± 1) mm and a wall thickness of (10 ± 1) mm.

Table 1 — Composition of the furnace tube refractory material

Material	Composition % (kg/kg mass)
Alumina (Al ₂ O ₃)	> 89
Silica and alumina (SiO ₂ , Al ₂ O ₃)	> 98
Ferric oxide (Fe ₂ O)	< 0,45
Titanium dioxide (TiO ₂)	< 0,25
Manganese oxide (Mn ₃ O ₄)	< 0,1
Other trace oxides (sodium, potassium, calcium and magnesium oxides)	The balance

The furnace tube shall be fitted in the centre of a surround made of insulating material 150 mm in height and of 10 mm wall thickness, and fitted with top and bottom plates recessed internally to locate the ends of the furnace tube. The annular space between the tubes shall be filled with a suitable insulating material.

NOTE 1 An example of a typical furnace tube design is given in B.2.

An open-ended cone-shaped airflow stabilizer shall be attached to the underside of the furnace. The stabilizer shall be 500 mm in length, and reduce uniformly from 75 ± 1 mm internal diameter at the top to $10 \pm 0,5$ mm at the bottom. The stabilizer shall be manufactured from 1 mm-thick sheet steel, with a smooth finish on the inside. The joint between the stabilizer and the furnace shall be a close, airtight fit, with a smooth finish internally. The upper half of the stabilizer shall be insulated externally with a suitable insulating material.

NOTE 2 An example of suitable insulating material is given in B.3.

4.2.2 Draught shield, made of the same material as the stabilizer cone, and provided at the top of the furnace. It shall be 50 mm high and have an internal diameter of (75 ± 1) mm. The draught shield and its joint with the top of the furnace shall have a smooth finish internally, and the exterior shall be insulated with a suitable insulating material.

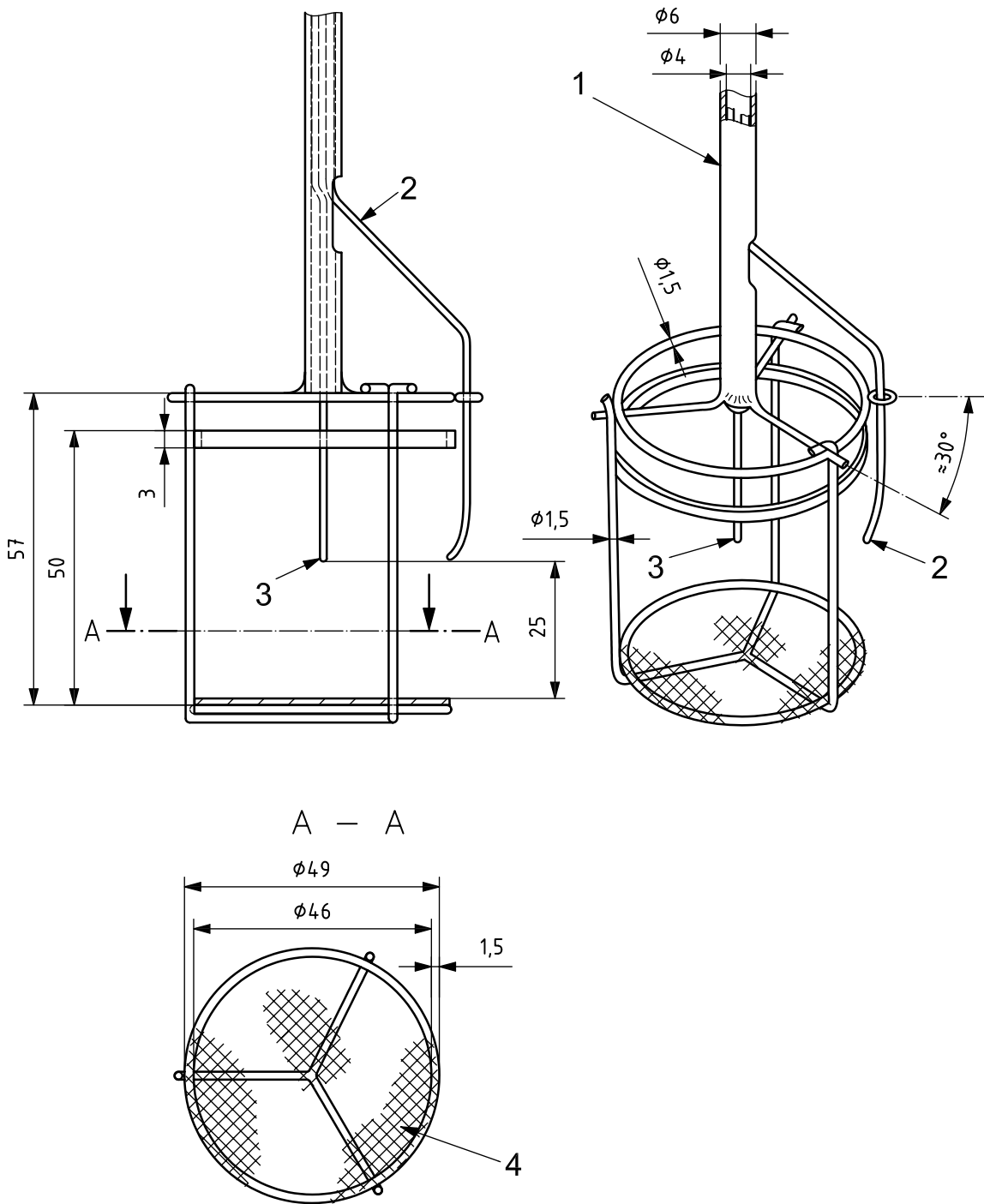
NOTE An example of suitable insulating material is given in B.4.

4.2.3 Stand, firm and horizontal, on which the assembly of the furnace, stabilizer cone and draught shield are mounted. There shall be a base and draught screen attached to the stand to reduce draughts around the bottom of the stabilizer cone. The draught screen shall be 550 mm high and the bottom of the stabilizer cone shall be 250 mm above the base plate.

4.3 Specimen holder and insertion device

4.3.1 Specimen holder, as specified in Figure 1 and made of nickel/chromium or heat-resisting steel wire. A fine metal gauze tray of heat-resisting steel shall be placed in the bottom of the holder. The mass of the holder shall be (15 ± 2) g.

Dimensions in millimetres



Key

- 1 stainless steel tube
- 2 specimen surface thermocouple
- 3 specimen centre thermocouple
- 4 aperture mesh 0,9 mm diameter of wire 0,4 mm

Figure 1 — Specimen holder

The specimen holder shall be capable of being suspended from the lower end of a tube of stainless steel having an outside diameter of 6 mm and a bore of 4 mm.

4.3.2 Insertion device, suitable for lowering the specimen holder precisely down the axis of the furnace tube smoothly and carefully, such that the geometric centre of the specimen is located rigidly at the geometric centre of the furnace during the test. The insertion device shall consist of a metallic sliding rod moving freely within a vertical guide fitted to the side of the furnace.

The specimen holder for loose fill materials shall be cylindrical and of the same outer dimensions as the specimen (see 5.1), and made of a fine metal wire gauze of heat-resisting steel similar to the wire gauze used at the bottom of the normal holder specified in 4.3.1. The specimen holder shall have an open end at the top. The mass of the holder shall not exceed 30 g.

4.4 Thermocouples, with a wire diameter of 0,3 mm and an outer diameter of 1,5 mm. The hot junction shall be insulated and not earthed. The thermocouples shall be of either type K or type N. They shall be of tolerance class 1 in accordance with IEC 60584-2. The sheathing material shall be either stainless steel or a nickel based alloy. All new thermocouples shall be artificially aged before use to reduce reflectivity.

NOTE A suitable method of ageing is to run a test without any test specimen inserted for 1 h.

The furnace thermocouple shall be located with its hot junction ($10 \pm 0,5$) mm from the tube wall and at a height corresponding to the geometric centre of the furnace tube (see Figure 2). The correct position of the thermocouple shall be maintained with the help of a guide attached to the draught shield.

The position of the thermocouple shall be set using the locating guide illustrated in Figure 3. The length of the furnace thermocouple outside the guide shall be 40 ± 5 mm.

The furnace thermocouple shall be initially calibrated at 750 °C. Any correction term received at the calibration shall be added to the output.

The furnace thermocouple shall be replaced after 200 test runs.

The additional two thermocouples for measurements of specimen centre and surface temperature should be controlled at 100 °C. Details of any additional thermocouples required and their positioning are given in Annex C. The use of these two thermocouples is optional.

4.5 Thermal sensor, made of a thermocouple of the type specified in 4.4, brazed to a copper cylinder of diameter ($10 \pm 0,2$) mm and height ($15 \pm 0,2$) mm. The hot junction shall be at the geometrical centre of the copper cylinder

4.6 Contact thermocouple, made of a thermocouple of the type specified in 4.4. The thermocouple shall be curved according to Figure 4.