

SVENSK STANDARD

SS-EN 12090:2013



Fastställt/Approved: 2013-03-18
Publicerad/Published: 2013-03-19
Utgåva/Edition: 2
Språk/Language: engelska/English
ICS: 91.100.60; 91.100.99; 91.120.10

Värmeisoleringsprodukter för byggnader – Bestämning av skjuvhållfasthet

Thermal insulating products for building applications – Determination of shear behaviour

This preview is downloaded from www.sis.se. Buy the entire standard via <https://www.sis.se/std-89489>

Standarder får världen att fungera

SIS (Swedish Standards Institute) är en fristående ideell förening med medlemmar från både privat och offentlig sektor. Vi är en del av det europeiska och globala nätverk som utarbetar internationella standarder. Standarder är dokumenterad kunskap utvecklad av framstående aktörer inom industri, näringsliv och samhälle och befrämjar handel över gränser, bidrar till att processer och produkter blir säkrare samt effektiviserar din verksamhet.

Delta och påverka

Som medlem i SIS har du möjlighet att påverka framtida standarder inom ditt område på nationell, europeisk och global nivå. Du får samtidigt tillgång till tidig information om utvecklingen inom din bransch.

Ta del av det färdiga arbetet

Vi erbjuder våra kunder allt som rör standarder och deras tillämpning. Hos oss kan du köpa alla publikationer du behöver – allt från enskilda standarder, tekniska rapporter och standardpaket till handböcker och onlinetjänster. Genom vår webbtjänst e-nav får du tillgång till ett lättnavigerat bibliotek där alla standarder som är aktuella för ditt företag finns tillgängliga. Standarder och handböcker är källor till kunskap. Vi säljer dem.

Utveckla din kompetens och lyckas bättre i ditt arbete

Hos SIS kan du gå öppna eller företagsinterna utbildningar kring innehåll och tillämpning av standarder. Genom vår närhet till den internationella utvecklingen och ISO får du rätt kunskap i rätt tid, direkt från källan. Med vår kunskap om standarders möjligheter hjälper vi våra kunder att skapa verklig nytta och lönsamhet i sina verksamheter.

Vill du veta mer om SIS eller hur standarder kan effektivisera din verksamhet är du välkommen in på www.sis.se eller ta kontakt med oss på tel 08-555 523 00.



Standards make the world go round

SIS (Swedish Standards Institute) is an independent non-profit organisation with members from both the private and public sectors. We are part of the European and global network that draws up international standards. Standards consist of documented knowledge developed by prominent actors within the industry, business world and society. They promote cross-border trade, they help to make processes and products safer and they streamline your organisation.

Take part and have influence

As a member of SIS you will have the possibility to participate in standardization activities on national, European and global level. The membership in SIS will give you the opportunity to influence future standards and gain access to early stage information about developments within your field.

Get to know the finished work

We offer our customers everything in connection with standards and their application. You can purchase all the publications you need from us - everything from individual standards, technical reports and standard packages through to manuals and online services. Our web service e-nav gives you access to an easy-to-navigate library where all standards that are relevant to your company are available. Standards and manuals are sources of knowledge. We sell them.

Increase understanding and improve perception

With SIS you can undergo either shared or in-house training in the content and application of standards. Thanks to our proximity to international development and ISO you receive the right knowledge at the right time, direct from the source. With our knowledge about the potential of standards, we assist our customers in creating tangible benefit and profitability in their organisations.

If you want to know more about SIS, or how standards can streamline your organisation, please visit www.sis.se or contact us on phone +46 (0)8-555 523 00



Europastandarden EN 12090:2013 gäller som svensk standard. Detta dokument innehåller den officiella engelska versionen av EN 12090:2013.

Denna standard ersätter SS-EN 12090, utgåva 1.

The European Standard EN 12090:2013 has the status of a Swedish Standard. This document contains the official version of EN 12090:2013.

This standard supersedes the Swedish Standard SS-EN 12090, edition 1.

© Copyright/Upphovsrätten till denna produkt tillhör SIS, Swedish Standards Institute, Stockholm, Sverige. Användningen av denna produkt regleras av slutanvändarlicensen som återfinns i denna produkt, se standardens sista sidor.

© Copyright SIS, Swedish Standards Institute, Stockholm, Sweden. All rights reserved. The use of this product is governed by the end-user licence for this product. You will find the licence in the end of this document.

Upplysningar om sakinnehållet i standarden lämnas av SIS, Swedish Standards Institute, telefon 08-555 520 00. Standarder kan beställas hos SIS Förlag AB som även lämnar allmänna upplysningar om svensk och utländsk standard.

Information about the content of the standard is available from the Swedish Standards Institute (SIS), telephone +46 8 555 520 00. Standards may be ordered from SIS Förlag AB, who can also provide general information about Swedish and foreign standards.

Denna standard är framtagen av kommittén för Material och konstruktioner, SIS/TK 189/AG 1.

Har du synpunkter på innehållet i den här standarden, vill du delta i ett kommande revideringsarbete eller vara med och ta fram andra standarder inom området? Gå in på www.sis.se - där hittar du mer information.

EUROPEAN STANDARD

EN 12090

NORME EUROPÉENNE

EUROPÄISCHE NORM

March 2013

ICS 91.100.60

Supersedes EN 12090:1997

English Version

Thermal insulating products for building applications - Determination of shear behaviour

Produits isolants thermiques destinés aux applications du
bâtiment - Détermination du comportement en cisaillement

Wärmedämmstoffe für das Bauwesen - Bestimmung des
Verhaltens bei Scherbeanspruchung

This European Standard was approved by CEN on 15 December 2012.

CEN members are bound to comply with the CEN/CENELEC Internal Regulations which stipulate the conditions for giving this European Standard the status of a national standard without any alteration. Up-to-date lists and bibliographical references concerning such national standards may be obtained on application to the CEN-CENELEC Management Centre or to any CEN member.

This European Standard exists in three official versions (English, French, German). A version in any other language made by translation under the responsibility of a CEN member into its own language and notified to the CEN-CENELEC Management Centre has the same status as the official versions.

CEN members are the national standards bodies of Austria, Belgium, Bulgaria, Croatia, Cyprus, Czech Republic, Denmark, Estonia, Finland, Former Yugoslav Republic of Macedonia, France, Germany, Greece, Hungary, Iceland, Ireland, Italy, Latvia, Lithuania, Luxembourg, Malta, Netherlands, Norway, Poland, Portugal, Romania, Slovakia, Slovenia, Spain, Sweden, Switzerland, Turkey and United Kingdom.



EUROPEAN COMMITTEE FOR STANDARDIZATION
COMITÉ EUROPÉEN DE NORMALISATION
EUROPÄISCHES KOMITEE FÜR NORMUNG

Management Centre: Avenue Marnix 17, B-1000 Brussels

| Contents | Page |
|---|-------------|
| Foreword..... | 3 |
| 1 Scope..... | 5 |
| 2 Normative references..... | 5 |
| 3 Terms and definitions | 5 |
| 4 Principle..... | 5 |
| 5 Apparatus | 5 |
| 6 Test specimens | 9 |
| 6.1 Dimensions of test specimens | 9 |
| 6.1.1 General | 9 |
| 6.1.2 Single test specimen..... | 9 |
| 6.1.3 Double test specimen | 10 |
| 6.2 Number of test specimens..... | 10 |
| 6.3 Preparation of test specimens..... | 10 |
| 6.4 Conditioning of test specimens..... | 10 |
| 7 Procedure | 10 |
| 7.1 Test conditions..... | 10 |
| 7.2 Test procedure | 10 |
| 8 Calculation and expression of results | 11 |
| 8.1 General | 11 |
| 8.2 Shear strength..... | 11 |
| 8.3 Shear modulus | 11 |
| 9 Accuracy of measurement..... | 12 |
| 10 Test report | 12 |

Foreword

This document (EN 12090:2013) has been prepared by Technical Committee CEN/TC 88 “Thermal insulating materials and products”, the secretariat of which is held by DIN.

This European Standard shall be given the status of a national standard, either by publication of an identical text or by endorsement, at the latest by September 2013, and conflicting national standards shall be withdrawn at the latest by September 2013.

Attention is drawn to the possibility that some of the elements of this document may be the subject of patent rights. CEN [and/or CENELEC] shall not be held responsible for identifying any or all such patent rights.

This document supersedes EN 12090:1997.

The revision of this standard contains no major changes, only minor corrections and clarifications of an editorial nature.

This European Standard is one of a series of standards which specify test methods for determining dimensions and properties of thermal insulating materials and products. It supports a series of product standards for thermal insulating materials and products which derive from the Council Directive of 21 December 1988 on the approximation of laws, regulations and administrative provisions of the Member States relating to construction products (Directive 89/106/EEC) through the consideration of the essential requirements.

This European Standard has been drafted for applications in buildings but it may also be used in other areas where it is relevant.

This European test standard is one of the following group of inter-related standards on test methods for determining dimensions and properties of thermal insulation materials and products, all of which fall within the scope of CEN/TC 88:

- EN 822, *Thermal insulating products for building applications — Determination of length and width*
- EN 823, *Thermal insulating products for building applications — Determination of thickness*
- EN 824, *Thermal insulating products for building applications — Determination of squareness*
- EN 825, *Thermal insulating products for building applications — Determination of flatness*
- EN 826, *Thermal insulating products for building applications — Determination of compression behaviour*
- EN 1602, *Thermal insulating products for building applications — Determination of the apparent density*
- EN 1603, *Thermal insulating products for building applications — Determination of dimensional stability under constant normal laboratory conditions (23 °C/50 % relative humidity)*
- EN 1604, *Thermal insulating products for building applications — Determination of dimensional stability under specified temperature and humidity conditions*
- EN 1605, *Thermal insulating products for building applications — Determination of deformation under specified compressive load and temperature conditions*
- EN 1606, *Thermal insulating products for building applications — Determination of compressive creep*

SS-EN 12090:2013 (E)

- EN 1607, *Thermal insulating products for building applications — Determination of tensile strength perpendicular to faces*
- EN 1608, *Thermal insulating products for building applications — Determination of tensile strength parallel to faces*
- EN 1609, *Thermal insulating products for building applications — Determination of short-term water absorption by partial immersion*
- EN 12085, *Thermal insulating products for building applications — Determination of linear dimensions of test specimens*
- EN 12086, *Thermal insulating products for building applications — Determination of water vapour transmission properties*
- EN 12087, *Thermal insulating products for building applications — Determination of long-term water absorption by immersion*
- EN 12088, *Thermal insulating products for building applications — Determination of long-term water absorption by diffusion*
- EN 12089, *Thermal insulating products for building applications — Determination of bending behaviour*
- EN 12090, *Thermal insulating products for building applications — Determination of shear behaviour*
- EN 12091, *Thermal insulating products for building applications — Determination of freeze-thaw resistance*
- EN 12429, *Thermal insulating products for building applications — Conditioning to moisture equilibrium under specified temperature and humidity conditions*
- EN 12430, *Thermal insulating products for building applications — Determination of behaviour under point load*
- EN 12431, *Thermal insulating products for building applications — Determination of thickness for floating floor insulating products*
- EN 13793, *Thermal insulating products for building applications — Determination of behaviour under cyclic loading*
- EN 13820, *Thermal insulating materials for building applications — Determination of organic content*

According to the CEN/CENELEC Internal Regulations, the national standards organisations of the following countries are bound to implement this European Standard: Austria, Belgium, Bulgaria, Croatia, Cyprus, Czech Republic, Denmark, Estonia, Finland, Former Yugoslav Republic of Macedonia, France, Germany, Greece, Hungary, Iceland, Ireland, Italy, Latvia, Lithuania, Luxembourg, Malta, Netherlands, Norway, Poland, Portugal, Romania, Slovakia, Slovenia, Spain, Sweden, Switzerland, Turkey and the United Kingdom.

1 Scope

This European Standard specifies the equipment and procedures for determining shear behaviour. It is applicable to thermal insulating products.

NOTE The tests described in this standard do not determine pure shear behaviour, but measure the effects of applying two opposite parallel forces to the major faces of the test specimen. The test is however called shear in this text by convention. The application of a force tangentially to the major surface of the test specimen is considered to represent more closely the stresses imposed upon thermal insulation products in many building applications, particularly walls, than other methods of measuring shear performance e.g. bending tests.

2 Normative references

The following documents, in whole or in part, are normatively referenced in this document and are indispensable for its application. For dated references, only the edition cited applies. For undated references, the latest edition of the referenced document (including any amendments) applies.

EN 12085, *Thermal insulating products for building applications — Determination of linear dimensions of test specimens*

3 Terms and definitions

For the purposes of this document, the following terms and definitions apply.

3.1

shear strength

τ

ratio of the maximum force applied to the product, which will cause rupture along a plane parallel to the direction of the applied force, to the area of the plane on which the force acts

3.2

shear modulus,

G

shear stress divided by the corresponding relative deformation below the proportional limit, when the relationship is linear

Note 1 to entry: See Figure 3.

4 Principle

A test specimen is subjected to a shear stress transmitted to the test specimen through rigid supports to which it is bonded. The corresponding force-displacement curve is determined.

NOTE Tests carried out using the single test specimen method have produced results for shear strength, which indicate the result to be dependent upon test specimen thickness, with more scattered results at greater thicknesses. Tests using the double test specimen method have also shown test specimen thickness to influence results for shear strength.

5 Apparatus

5.1 Test machine

5.1.1 General

A test machine capable of applying a sufficient force within the maximum displacement experienced in the shear test. It shall be capable of operating at a constant rate of movement of the movable head of $(3 \pm 0,5)$ mm/min in a direction parallel to the longitudinal axis of the test specimen assembly.

SS-EN 12090:2013 (E)

The test machine shall exert a force F on the test specimen with a maximum error of 1 %, and produce a displacement γ , of the movable support relative to the fixed supports, having a maximum error of 1 %.

If the shear modulus is required, the force F and the displacement γ shall be simultaneously recorded to provide the curve of F, γ required in Clause 7.

It may be necessary to use a displacement transducer for accurate measurement of deformation particularly where a thick adhesive layer has been used in preparing the test specimen.

The null or zero displacement of the test specimen may be calculated by subtraction from γ , the displacement due to the equipment and the same thickness of adhesive measured without the test specimen, e.g. replace the test specimen by metal block(s) in a blank test.

5.1.2 Single test specimen arrangement

The test machine shall exert longitudinal shear forces through parallel plates bonded to a single test specimen of dimensions as in 6.1.2. The parallel plates shall be rigid with one plate attached to the fixed and the other to the movable parts of the test machine.

5.1.3 Double test specimen arrangement

The test machine shall exert longitudinal shear forces through parallel plates bonded to a double test specimen of dimensions as in 6.1.3. The parallel plates shall be rigid with the outer plates attached to the fixed and the central plate to the movable parts of the test machine.

5.2 Specimen supports

5.2.1 Single test specimen assembly

Two flat rigid specimen supports of length 330 mm and width 50 mm which shall be attached to the grips of the test machine via an adaptor and universal joint. The method of attaching the specimen supports to the grips is shown in Figure 1. The thickness of the adaptors that connect the specimen supports to the test machine grips shall be the same as the thickness of the test specimen.

Flat rectangular sectioned mild steel plates with a thickness of 16 mm have proved suitable for the support material.

5.2.2 Double test specimen assembly

The essential features are three flat rigid supports of which two can be maintained with their planes parallel and vertical. Two suitable arrangements are shown in Figure 2.

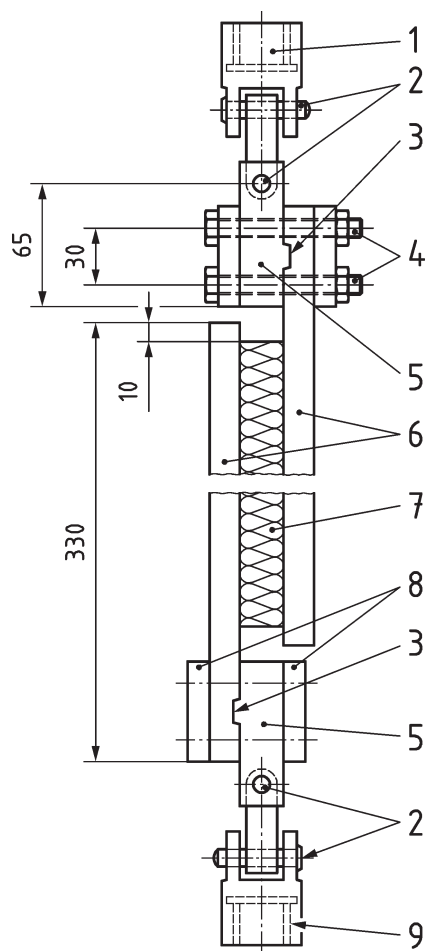
Experience gained using both the single and double test specimen methods with several products indicated that it is of paramount importance that the specimen supports are very rigid. With the double test specimen arrangement, the fixed supports should be maintained in parallel vertical planes. Both the arrangements shown in Figure 2 have proved suitable.

5.3 Adhesive

The adhesive used to fix the test specimen shall be such that the shear strength and modulus of the adhesive film is greater than that of the product under test. This ensures that rupture occurs in the test specimen rather than failure in the adhesive.

Information on suitable adhesives and their use may be provided in the relevant product standard or any other European Technical Specification.

Dimensions in millimetres



Key

- 1 fixed machine grip
- 2 universal joint connection pins
- 3 tongue and groove
- 4 nut and bolt supports
- 5 adaptor
- 6 test specimen supports (length 330 mm, width 50 mm, thickness 16 mm)
- 7 test specimen (length 250 mm, width 50 mm)
- 8 load distribution plates
- 9 movable machine grip

Figure 1 — Example of single specimen test assembly