

SVENSK STANDARD

SS-EN ISO 20566:2013



Fastställt/Approved: 2013-03-14
Publicerad/Published: 2013-03-18
Utgåva/Edition: 2
Språk/Language: engelska/English
ICS: 43.020; 87.040

Färg och lack – Bestämning av reptålighet hos färgsystem med biltvätt i laboratorieskala (ISO 20566:2013)

Paints and varnishes – Determination of the scratch resistance of a coating system using a laboratory-scale car-wash (ISO 20566:2013)

This preview is downloaded from www.sis.se. Buy the entire standard via <https://www.sis.se/std-89449>

Standarder får världen att fungera

SIS (Swedish Standards Institute) är en fristående ideell förening med medlemmar från både privat och offentlig sektor. Vi är en del av det europeiska och globala nätverk som utarbetar internationella standarder. Standarder är dokumenterad kunskap utvecklad av framstående aktörer inom industri, näringsliv och samhälle och befrämjar handel över gränser, bidrar till att processer och produkter blir säkrare samt effektiviserar din verksamhet.

Delta och påverka

Som medlem i SIS har du möjlighet att påverka framtida standarder inom ditt område på nationell, europeisk och global nivå. Du får samtidigt tillgång till tidig information om utvecklingen inom din bransch.

Ta del av det färdiga arbetet

Vi erbjuder våra kunder allt som rör standarder och deras tillämpning. Hos oss kan du köpa alla publikationer du behöver – allt från enskilda standarder, tekniska rapporter och standardpaket till handböcker och onlinetjänster. Genom vår webbtjänst e-nav får du tillgång till ett lättnavigerat bibliotek där alla standarder som är aktuella för ditt företag finns tillgängliga. Standarder och handböcker är källor till kunskap. Vi säljer dem.

Utveckla din kompetens och lyckas bättre i ditt arbete

Hos SIS kan du gå öppna eller företagsinterna utbildningar kring innehåll och tillämpning av standarder. Genom vår närhet till den internationella utvecklingen och ISO får du rätt kunskap i rätt tid, direkt från källan. Med vår kunskap om standarders möjligheter hjälper vi våra kunder att skapa verklig nytta och lönsamhet i sina verksamheter.

Vill du veta mer om SIS eller hur standarder kan effektivisera din verksamhet är du välkommen in på www.sis.se eller ta kontakt med oss på tel 08-555 523 00.



Standards make the world go round

SIS (Swedish Standards Institute) is an independent non-profit organisation with members from both the private and public sectors. We are part of the European and global network that draws up international standards. Standards consist of documented knowledge developed by prominent actors within the industry, business world and society. They promote cross-border trade, they help to make processes and products safer and they streamline your organisation.

Take part and have influence

As a member of SIS you will have the possibility to participate in standardization activities on national, European and global level. The membership in SIS will give you the opportunity to influence future standards and gain access to early stage information about developments within your field.

Get to know the finished work

We offer our customers everything in connection with standards and their application. You can purchase all the publications you need from us - everything from individual standards, technical reports and standard packages through to manuals and online services. Our web service e-nav gives you access to an easy-to-navigate library where all standards that are relevant to your company are available. Standards and manuals are sources of knowledge. We sell them.

Increase understanding and improve perception

With SIS you can undergo either shared or in-house training in the content and application of standards. Thanks to our proximity to international development and ISO you receive the right knowledge at the right time, direct from the source. With our knowledge about the potential of standards, we assist our customers in creating tangible benefit and profitability in their organisations.

If you want to know more about SIS, or how standards can streamline your organisation, please visit www.sis.se or contact us on phone +46 (0)8-555 523 00



Europastandarden EN ISO 20566:2013 gäller som svensk standard. Detta dokument innehåller den officiella engelska versionen av EN ISO 20566:2013.

Denna standard ersätter SS-EN ISO 20566:2006, utgåva 1.

The European Standard EN ISO 20566:2013 has the status of a Swedish Standard. This document contains the official version of EN ISO 20566:2013.

This standard supersedes the Swedish Standard SS-EN ISO 20566:2006, edition 1.

© Copyright/Upphovsrätten till denna produkt tillhör SIS, Swedish Standards Institute, Stockholm, Sverige. Användningen av denna produkt regleras av slutanvändarlicensen som återfinns i denna produkt, se standardens sista sidor.

© Copyright SIS, Swedish Standards Institute, Stockholm, Sweden. All rights reserved. The use of this product is governed by the end-user licence for this product. You will find the licence in the end of this document.

Upplysningar om sakinnehållet i standarden lämnas av SIS, Swedish Standards Institute, telefon 08-555 520 00. Standarder kan beställas hos SIS Förlag AB som även lämnar allmänna upplysningar om svensk och utländsk standard.

Information about the content of the standard is available from the Swedish Standards Institute (SIS), telephone +46 8 555 520 00. Standards may be ordered from SIS Förlag AB, who can also provide general information about Swedish and foreign standards.

Denna standard är framtagen av kommittén för Färg och lack, SIS/TK 433.

Har du synpunkter på innehållet i den här standarden, vill du delta i ett kommande revideringsarbete eller vara med och ta fram andra standarder inom området? Gå in på www.sis.se - där hittar du mer information.

EUROPEAN STANDARD

EN ISO 20566

NORME EUROPÉENNE

EUROPÄISCHE NORM

February 2013

ICS 43.020; 87.040

Supersedes EN ISO 20566:2006

English Version

**Paints and varnishes - Determination of the scratch resistance
of a coating system using a laboratory-scale car-wash (ISO
20566:2013)**

Peintures et vernis - Détermination de la résistance à la
rayure d'un système de peinture sur un poste de lavage
automobile de laboratoire (ISO 20566:2013)

Beschichtungsstoffe - Bestimmung der Kratzbeständigkeit
von Beschichtungen mit einer Labor-
Automobilwaschanlage (ISO 20566:2013)

This European Standard was approved by CEN on 9 February 2013.

CEN members are bound to comply with the CEN/CENELEC Internal Regulations which stipulate the conditions for giving this European Standard the status of a national standard without any alteration. Up-to-date lists and bibliographical references concerning such national standards may be obtained on application to the CEN-CENELEC Management Centre or to any CEN member.

This European Standard exists in three official versions (English, French, German). A version in any other language made by translation under the responsibility of a CEN member into its own language and notified to the CEN-CENELEC Management Centre has the same status as the official versions.

CEN members are the national standards bodies of Austria, Belgium, Bulgaria, Croatia, Cyprus, Czech Republic, Denmark, Estonia, Finland, Former Yugoslav Republic of Macedonia, France, Germany, Greece, Hungary, Iceland, Ireland, Italy, Latvia, Lithuania, Luxembourg, Malta, Netherlands, Norway, Poland, Portugal, Romania, Slovakia, Slovenia, Spain, Sweden, Switzerland, Turkey and United Kingdom.



EUROPEAN COMMITTEE FOR STANDARDIZATION
COMITÉ EUROPÉEN DE NORMALISATION
EUROPÄISCHES KOMITEE FÜR NORMUNG

Management Centre: Avenue Marnix 17, B-1000 Brussels

Contents		Page
Foreword		iv
Introduction		v
1	Scope	1
2	Normative references	1
3	Terms and definitions	1
4	Apparatus	2
5	Washing suspension	3
6	Sampling	4
7	Test panels	4
8	Procedure	4
9	Evaluation	5
10	Precision	5
	10.1 Repeatability limit <i>r</i>	5
	10.2 Reproducibility limit <i>R</i>	5
11	Test report	5
Annex A (normative) Verification and calibration of the washing equipment		7

Foreword

This document (EN ISO 20566:2013) has been prepared by Technical Committee ISO/TC 35 "Paints and varnishes" in collaboration with Technical Committee CEN/TC 139 "Paints and varnishes" the secretariat of which is held by DIN.

This European Standard shall be given the status of a national standard, either by publication of an identical text or by endorsement, at the latest by August 2013, and conflicting national standards shall be withdrawn at the latest by August 2013.

Attention is drawn to the possibility that some of the elements of this document may be the subject of patent rights. CEN [and/or CENELEC] shall not be held responsible for identifying any or all such patent rights.

This document supersedes EN ISO 20566:2006.

According to the CEN-CENELEC Internal Regulations, the national standards organizations of the following countries are bound to implement this European Standard: Austria, Belgium, Bulgaria, Croatia, Cyprus, Czech Republic, Denmark, Estonia, Finland, Former Yugoslav Republic of Macedonia, France, Germany, Greece, Hungary, Iceland, Ireland, Italy, Latvia, Lithuania, Luxembourg, Malta, Netherlands, Norway, Poland, Portugal, Romania, Slovakia, Slovenia, Spain, Sweden, Switzerland, Turkey and the United Kingdom.

Endorsement notice

The text of ISO 20566:2013 has been approved by CEN as EN ISO 20566:2013 without any modification.

Introduction

With this test procedure, it is important to note that the test results will not, over time, remain constant, as a result of changes to the brush material. As the brush ages, the test will become more severe. As a result, the test procedure is suitable only for comparative tests carried out at any one time and using relatively short runs. Readings obtained using equipment which has accumulated different total numbers of operating hours are not comparable with each other.

Paints and varnishes — Determination of the scratch resistance of a coating system using a laboratory-scale car-wash

1 Scope

This International Standard describes a test procedure for assessing the scratch resistance of organic paint coatings¹⁾, in particular paint coatings used in the automotive industry (i.e. for assessing their car-wash resistance). Machine-based washing is simulated in the laboratory environment using a rotating brush and synthetic dirt. The test conditions have been designed to be as close as possible to the real conditions in a car-wash. If the test parameters are suitably chosen, the method can also be used for testing protective plastics films and plastics components.

2 Normative references

The following referenced documents are indispensable for the application of this document. For dated references, only the edition cited applies. For undated references, the latest edition of the referenced document (including any amendments) applies.

ISO 1513, *Paints and varnishes — Examination and preparation of samples for testing*

ISO 2813, *Paints and varnishes — Determination of specular gloss of non-metallic paint films at 20°, 60° and 85°*

ISO 4618, *Paints and varnishes — Terms and definitions*

ISO 4628-1, *Paints and varnishes — Evaluation of degradation of coatings — Designation of quantity and size of defects, and of intensity of uniform changes in appearance — Part 1: General introduction and designation system*

ISO 7724-1, *Paints and varnishes — Colorimetry — Part 1: Principles*

ISO 7724-2, *Paints and varnishes — Colorimetry — Part 2: Colour measurement*

ISO 7724-3, *Paints and varnishes — Colorimetry — Part 3: Calculation of colour differences*

ISO 13076, *Paints and varnishes — Lighting and procedure for visual assessments of coatings*

ISO 13803, *Paints and varnishes — Determination of reflection haze on paint films at 20°*

ISO 15528, *Paints, varnishes and raw materials for paints and varnishes — Sampling*

3 Terms and definitions

For the purposes of this document, the terms and definitions given in ISO 4618 and the following apply.

3.1

mar, n

blemish on the surface of a coating, extending over a particular area of the coating and visible due to the difference in the light-reflection properties of the area affected compared with the light-reflection properties of adjacent areas

1) For the term “coating”, see ISO 4618.

3.2

scratch, n

cut or gouge through the surface of a coating, made by contact with a sharp object

3.3

double pass

one back-and-forward movement of the test panel holder

3.4

test area

area which is evaluated

3.5

reflow effect

ability of the coating surface to revert to its original appearance after damage such as scratching

4 Apparatus

The apparatus²⁾ shall comprise at least the following individual components:

4.1 Washing brush:

Diameter	(1 000 ± 40) mm
Width	min. 300 mm
Material	polyethylene
Profile	x-shaped, spliced
Bristle thickness	(0,8 ± 0,2) mm
Bristle length	(440 ± 20) mm visible
Penetration depth	(100 ± 20) mm (see Figure 1)
Speed of brush rotation	(127 ± 5) min ⁻¹ , in the direction opposite to the direction of travel of the test panel holder

The replacement of washing brushes is decided by testing a control panel. The control panel material shall be chosen to reflect changes in the washing brush, so that it is possible to differentiate between a new and a used brush. In practice, the maximum lifetime of the washing brush is often specified as between 30 h and 50 h.

It is recommended that a control panel coated with a black non-metallic paint and a clear coating on top be used. Gloss shall be > 80 gloss units, measured at 20°. The washing brush shall be replaced by a new brush if the gloss of the control panel changes by more than 6 gloss units compared with a new brush.

4.2 Spray nozzles, made of stainless steel:

Spread of jet	65°
Rate of flow of washing suspension	(2,2 ± 0,2) l/min at (300 ± 50) kPa

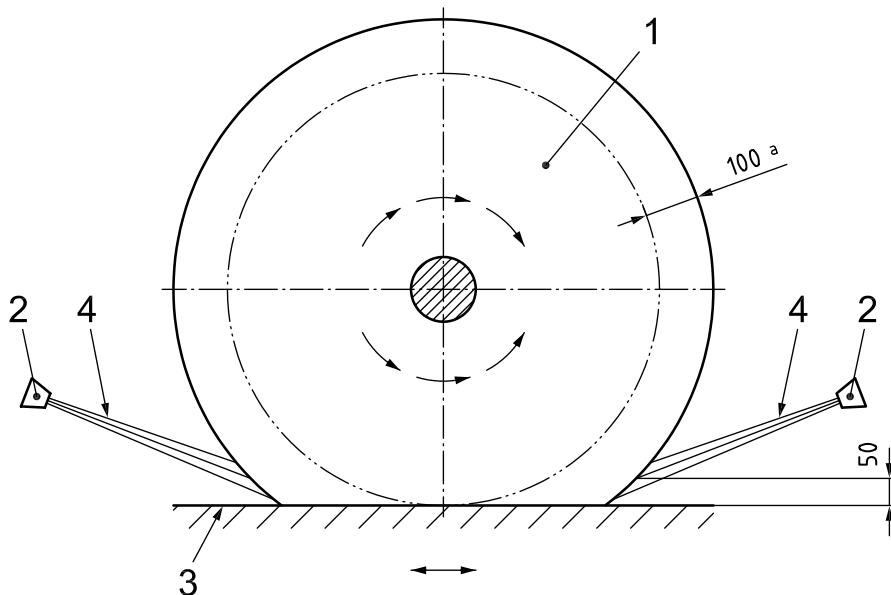
The two nozzles shall spray alternately, against the direction of travel of the test panel holder. They shall produce the specified spray pattern (see Annex A).

2) Information on procuring the equipment is available from: DIN Deutsches Institut für Normung e.V., NAB, Burggrafenstrasse 6, 10787 Berlin, Germany.

4.3 Test panel holder:

Feed speed	(5,0 ± 0,2) m/min
Pattern of movement	If the brush is rotating clockwise, the right nozzle is spraying and the test panel holder travels from left to right (and <i>vice versa</i>) — see Figure 1.

Dimensions in millimetres



Key

- 1 washing brush
- 2 spray nozzle
- 3 test panel holder
- 4 spray jet (centreline of jet strikes brush directly, 50 mm above test panel holder)
- a Penetration depth.

Figure 1 — Pattern of movement of washing brush and spray nozzles with respect to test panel holder

4.4 Container, suitable for holding the washing suspension during the test.

5 Washing suspension

Prepare a suspension consisting of (1,50 ± 0,05) g of silica powder (silica micro-powder having a mean particle size of 24 µm)³⁾ per litre of tap water in a suitable container, mixing it by stirring vigorously. The water temperature shall be between 15 °C and 30 °C.

The suspension shall be stirred continuously during the test in such a way that the silica powder does not settle on the bottom of the container as this would result in variations in the concentration.

The suspension may be reused once the test equipment has come to a standstill. However, it is essential that the suspension be stirred thoroughly again before being reused.

³⁾ Information on procuring the silica powder is available from: DIN Deutsches Institut für Normung e.V., NAB, Burggrafenstrasse 6, 10787 Berlin, Germany.