

SVENSK STANDARD

SS 820200:2012



Fastställt/Approved: 2012-08-17
Publicerad/Published: 2012-08-21
Utgåva/Edition: 1
Språk/Language: engelska/English
ICS: 91.140.60; 91.140.70

Sanitetsenheter – Förtillverkade installationsmoduler för vägghängda WC-skålar – Krav och provningsmetoder

Sanitary appliances – Prefabricated installation modules for wall-hung WC pans – Requirements and test methods

This preview is downloaded from www.sis.se. Buy the entire standard via <https://www.sis.se/std-87217>

Standarder får världen att fungera

SIS (Swedish Standards Institute) är en fristående ideell förening med medlemmar från både privat och offentlig sektor. Vi är en del av det europeiska och globala nätverk som utarbetar internationella standarder. Standarder är dokumenterad kunskap utvecklad av framstående aktörer inom industri, näringsliv och samhälle och befrämjar handel över gränser, bidrar till att processer och produkter blir säkrare samt effektiviserar din verksamhet.

Delta och påverka

Som medlem i SIS har du möjlighet att påverka framtida standarder inom ditt område på nationell, europeisk och global nivå. Du får samtidigt tillgång till tidig information om utvecklingen inom din bransch.

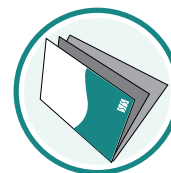
Ta del av det färdiga arbetet

Vi erbjuder våra kunder allt som rör standarder och deras tillämpning. Hos oss kan du köpa alla publikationer du behöver – allt från enskilda standarder, tekniska rapporter och standardpaket till handböcker och onlinetjänster. Genom vår webbtjänst e-nav får du tillgång till ett lättnavigerat bibliotek där alla standarder som är aktuella för ditt företag finns tillgängliga. Standarder och handböcker är källor till kunskap. Vi säljer dem.

Utveckla din kompetens och lyckas bättre i ditt arbete

Hos SIS kan du gå öppna eller företagsinterna utbildningar kring innehåll och tillämpning av standarder. Genom vår närhet till den internationella utvecklingen och ISO får du rätt kunskap i rätt tid, direkt från källan. Med vår kunskap om standarders möjligheter hjälper vi våra kunder att skapa verklig nytta och lönsamhet i sina verksamheter.

Vill du veta mer om SIS eller hur standarder kan effektivisera din verksamhet är du välkommen in på www.sis.se eller ta kontakt med oss på tel 08-555 523 00.



Standards make the world go round

SIS (Swedish Standards Institute) is an independent non-profit organisation with members from both the private and public sectors. We are part of the European and global network that draws up international standards. Standards consist of documented knowledge developed by prominent actors within the industry, business world and society. They promote cross-border trade, they help to make processes and products safer and they streamline your organisation.

Take part and have influence

As a member of SIS you will have the possibility to participate in standardization activities on national, European and global level. The membership in SIS will give you the opportunity to influence future standards and gain access to early stage information about developments within your field.

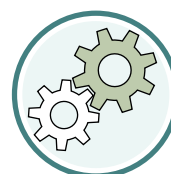
Get to know the finished work

We offer our customers everything in connection with standards and their application. You can purchase all the publications you need from us - everything from individual standards, technical reports and standard packages through to manuals and online services. Our web service e-nav gives you access to an easy-to-navigate library where all standards that are relevant to your company are available. Standards and manuals are sources of knowledge. We sell them.

Increase understanding and improve perception

With SIS you can undergo either shared or in-house training in the content and application of standards. Thanks to our proximity to international development and ISO you receive the right knowledge at the right time, direct from the source. With our knowledge about the potential of standards, we assist our customers in creating tangible benefit and profitability in their organisations.

If you want to know more about SIS, or how standards can streamline your organisation, please visit www.sis.se or contact us on phone +46 (0)8-555 523 00



© Copyright/Upphovsrätten till denna produkt tillhör SIS, Swedish Standards Institute, Stockholm, Sverige. Användningen av denna produkt regleras av slutanvändarlicensen som återfinns i denna produkt, se standardens sista sidor.

© Copyright SIS, Swedish Standards Institute, Stockholm, Sweden. All rights reserved. The use of this product is governed by the end-user licence for this product. You will find the licence in the end of this document.

Uppllysningar om sakinnehållet i standarden lämnas av SIS, Swedish Standards Institute, telefon 08-555 520 00. Standarder kan beställas hos SIS Förlag AB som även lämnar allmänna uppllysningar om svensk och utländsk standard.

Information about the content of the standard is available from the Swedish Standards Institute (SIS), telephone +46 8 555 520 00. Standards may be ordered from SIS Förlag AB, who can also provide general information about Swedish and foreign standards.

Standarden är framtagen av kommittén för Sanitetsenheter, SIS/TK 198/AG 163.

Har du synpunkter på innehållet i den här standarden, vill du delta i ett kommande revideringsarbete eller vara med och ta fram andra standarder inom området? Gå in på www.sis.se - där hittar du mer information.

SS 820200:2012 (E)

Innehåll

	Sida
Introduction	3
1 Scope	4
2 Normative references	4
3 Terms and definitions	4
4 Requirements	5
4.1 Packaging and accessories	5
4.2 Dimensions	5
4.3 Flushing cisterns	5
4.4 Wastewater connection	5
4.5 Adjustability	6
4.6 Mounting	6
4.7 Front cover and changeability of movable parts	7
4.8 WC connection pipes	7
4.9 Loadability	8
5 Test procedures	8
5.1 General	8
5.2 Packaging	8
5.3 Dimensions	8
5.4 Flushing cistern	9
5.5 Wastewater connection	9
5.6 Adjustability	9
5.7 Mounting	9
5.8 Changeability and function of movable parts with front cover	9
5.9 WC connection pipes	9
5.10 Load test	9

Introduction

This standard is intended for the manufacturers production control.

SS 820200:2012 (E)

1 Scope

This standard specifies technical and performance requirements and test methods for prefabricated installation modules with flushing cisterns for wall-hung WC pans.

2 Normative references

The following referenced documents are indispensable for the application of this document. For dated references, only the edition cited applies. For undated references, the last edition of the referenced document (including any amendments) applies.

SS-EN 33, *WC pans and WC suites – Connecting dimensions*

SS-EN 14055, *WC and urinal flushing cisterns*

SS-EN 1451-1, *Plastics piping systems for soil and waste discharge (low and high temperature) within the building structure – Polypropylene (PP) – Part 1: Specifications for pipes, fittings and the system*

3 Terms and definitions

For the purposes of this document, the following terms and definitions apply.

- 3.1 wall-hung WC pan**
WC pan cantilevered clear of the floor
- 3.2 module frame**
frame with adjustable supports and with adaptors for mounting of installation supports for sanitary appliances
- 3.3 installation module**
module frame for wall-hung WC pans, including flushing cistern, equipped with accessories and with support for mounting of WC pans
- 3.4 special tool**
unique designed tool for single purpose
- 3.5 front cover**
wall or sheet, built or mounted to cover the front of the module
- NOTE Front cover is not part of the module.
- 3.6 module type 1**
module for WC pans for domestic use with a maximum length of ≤ 600 mm
- 3.7 module type 2**
module for WC pans with a minimum length of > 600 mm

4 Requirements

4.1 Packaging and accessories

The installation module shall be delivered complete with all accessories for mounting according to the manufacturer's instructions.

4.2 Dimensions

Screws for mounting of WC pans shall be of size M12.

Connecting dimensions for wall-hung WC pan shall be in accordance with SS-EN 33, see Figure 1.

Dimensions in millimetres

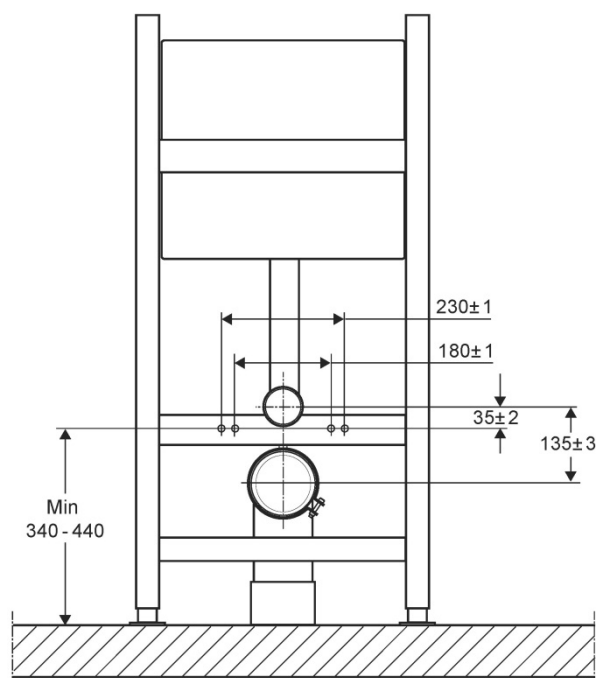


Figure 1 — Connecting dimensions

4.3 Flushing cisterns

The flushing cisterns shall fulfil the requirements for CE marking of 4 litres or 6 litres flush volume according to SS-EN 14055, Class 1.

Shut off valve with thread G ½ shall be included in the cistern and be able to be operated without special tools.

Cisterns shall be insulated against condensation on the part which is intended to be in contact with the flush volume of water.

4.4 Wastewater connection

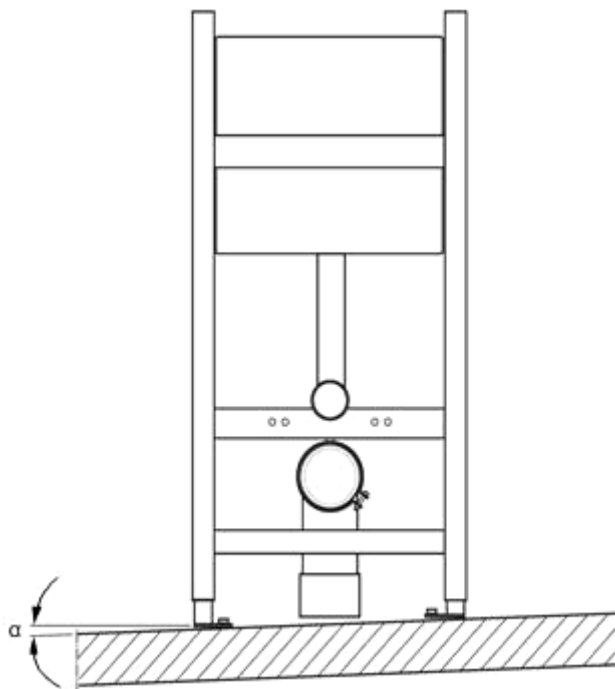
Wastewater connector included shall be connectable to a sleeve with a diameter of 110 mm, according to SS-EN 1451-1.

SS 820200:2012 (E)

4.5 Adjustability

The supports shall be adjustable in height at a minimum interval of 340 mm to 440 mm, measured as the distance between the screws for the WC bowl and the floor level, see Figure 1.

The supports of the installation module shall be individually adjustable sideways for a floor slope, α , of 20 mm/m, see Figure 2.



Key

α Floor slope, mm/m

Figure 2 — Adjustability for floor slope

4.6 Mounting

It shall be possible to mount the installation module with wall fixations only.

It shall be possible to connect the installation module with included accessories to a waste pipe with a distance from the wall to the edge of the pipe of minimum 60 mm, see Figure 3.