

SVENSK STANDARD

SS-ISO 12757-1:2017



Fastställt/Approved: 2017-12-14
Publicerad/Published: 2017-12-20
Utgåva/Edition: 3
Språk/Language: engelska/English
ICS: 35.260; 97.180

Ritmateriel – Kulspetspennor och patroner med dynamisk viskositet > 1000 mPas – Del 1: Allmän användning (ISO 12757-1:2017, IDT)

Ball point pens and refills – Part 1: General use (ISO 12757-1:2017, IDT)

This preview is downloaded from www.sis.se. Buy the entire standard via <https://www.sis.se/std-8030086>

Standarder får världen att fungera

SIS (Swedish Standards Institute) är en fristående ideell förening med medlemmar från både privat och offentlig sektor. Vi är en del av det europeiska och globala nätverk som utarbetar internationella standarder. Standarder är dokumenterad kunskap utvecklad av framstående aktörer inom industri, näringsliv och samhälle och befrämjar handel över gränser, bidrar till att processer och produkter blir säkrare samt effektiviserar din verksamhet.

Delta och påverka

Som medlem i SIS har du möjlighet att påverka framtida standarder inom ditt område på nationell, europeisk och global nivå. Du får samtidigt tillgång till tidig information om utvecklingen inom din bransch.

Ta del av det färdiga arbetet

Vi erbjuder våra kunder allt som rör standarder och deras tillämpning. Hos oss kan du köpa alla publikationer du behöver – allt från enskilda standarder, tekniska rapporter och standardpaket till handböcker och onlinetjänster. Genom vår webbtjänst e-nav får du tillgång till ett lättnavigerat bibliotek där alla standarder som är aktuella för ditt företag finns tillgängliga. Standarder och handböcker är källor till kunskap. Vi säljer dem.

Utveckla din kompetens och lyckas bättre i ditt arbete

Hos SIS kan du gå öppna eller företagsinterna utbildningar kring innehåll och tillämpning av standarder. Genom vår närhet till den internationella utvecklingen och ISO får du rätt kunskap i rätt tid, direkt från källan. Med vår kunskap om standarders möjligheter hjälper vi våra kunder att skapa verklig nytta och lönsamhet i sina verksamheter.

Vill du veta mer om SIS eller hur standarder kan effektivisera din verksamhet är du välkommen in på www.sis.se eller ta kontakt med oss på tel 08-555 523 00.



Standards make the world go round

SIS (Swedish Standards Institute) is an independent non-profit organisation with members from both the private and public sectors. We are part of the European and global network that draws up international standards. Standards consist of documented knowledge developed by prominent actors within the industry, business world and society. They promote cross-border trade, they help to make processes and products safer and they streamline your organisation.

Take part and have influence

As a member of SIS you will have the possibility to participate in standardization activities on national, European and global level. The membership in SIS will give you the opportunity to influence future standards and gain access to early stage information about developments within your field.

Get to know the finished work

We offer our customers everything in connection with standards and their application. You can purchase all the publications you need from us - everything from individual standards, technical reports and standard packages through to manuals and online services. Our web service e-nav gives you access to an easy-to-navigate library where all standards that are relevant to your company are available. Standards and manuals are sources of knowledge. We sell them.

Increase understanding and improve perception

With SIS you can undergo either shared or in-house training in the content and application of standards. Thanks to our proximity to international development and ISO you receive the right knowledge at the right time, direct from the source. With our knowledge about the potential of standards, we assist our customers in creating tangible benefit and profitability in their organisations.

If you want to know more about SIS, or how standards can streamline your organisation, please visit www.sis.se or contact us on phone +46 (0)8-555 523 00



Europastandarden ISO 12757-1:2017 gäller som svensk standard. Detta dokument innehåller den officiella engelska versionen av ISO 12757-1:2017.

Denna standard ersätter SS-ISO 12757-1:2016, utgåva 2.

The European Standard ISO 12757-1:2017 has the status of a Swedish Standard. This document contains the official version of ISO 12757-1:2017.

This standard supersedes the Swedish Standard SS-ISO 12757-1:2016, edition 2.

© Copyright/Upphovsrätten till denna produkt tillhör SIS, Swedish Standards Institute, Stockholm, Sverige. Användningen av denna produkt regleras av slutanvändarlicensen som återfinns i denna produkt, se standardens sista sidor.

© Copyright SIS, Swedish Standards Institute, Stockholm, Sweden. All rights reserved. The use of this product is governed by the end-user licence for this product. You will find the licence in the end of this document.

Uppllysningar om sakinnehållet i standarden lämnas av SIS, Swedish Standards Institute, telefon 08-555 520 00. Standarder kan beställas hos SIS Förlag AB som även lämnar allmänna uppllysningar om svensk och utländsk standard.

Information about the content of the standard is available from the Swedish Standards Institute (SIS), telephone +46 8 555 520 00. Standards may be ordered from SIS Förlag AB, who can also provide general information about Swedish and foreign standards.

Denna standard är framtagen av kommittén för Skriv- och ritmateriel, SIS/TK 507/AG 07.

Har du synpunkter på innehållet i den här standarden, vill du delta i ett kommande revideringsarbete eller vara med och ta fram andra standarder inom området? Gå in på www.sis.se - där hittar du mer information.

Contents

Page

Foreword	iv
Introduction	v
1 Scope	1
2 Normative references	1
3 Terms and definitions	1
4 Requirements	2
4.1 Tip classification.....	2
4.2 Shapes and dimensions of refills.....	2
4.3 Performance.....	4
4.3.1 Writing performance.....	4
4.3.2 Strike through.....	4
4.3.3 Drying time.....	4
4.3.4 Reproducibility.....	4
4.3.5 Water resistance.....	4
4.3.6 Light resistance.....	4
4.3.7 Shelf life.....	4
5 Test equipment and accessories	4
5.1 Write test machine.....	4
5.2 Performance testing paper.....	4
5.3 Eraser.....	5
5.4 Reproducibility apparatus.....	5
5.5 Light test apparatus.....	5
6 Testing	5
6.1 Sampling.....	5
6.2 Climatic conditions for testing.....	6
6.3 Procedure.....	6
6.3.1 Writing performance test.....	6
6.3.2 Strike through test.....	6
6.3.3 Drying time test.....	6
6.3.4 Reproducibility test.....	6
6.3.5 Water resistance test.....	6
6.3.6 Light resistance test.....	6
6.3.7 Shelf life test.....	7
7 Designation and marking	7
7.1 Designation.....	7
7.2 Marking.....	7
8 Test report	7
Bibliography	9

SS-ISO 12757-1:2017 (E)

Foreword

ISO (the International Organization for Standardization) is a worldwide federation of national standards bodies (ISO member bodies). The work of preparing International Standards is normally carried out through ISO technical committees. Each member body interested in a subject for which a technical committee has been established has the right to be represented on that committee. International organizations, governmental and non-governmental, in liaison with ISO, also take part in the work. ISO collaborates closely with the International Electrotechnical Commission (IEC) on all matters of electrotechnical standardization.

The procedures used to develop this document and those intended for its further maintenance are described in the ISO/IEC Directives, Part 1. In particular the different approval criteria needed for the different types of ISO documents should be noted. This document was drafted in accordance with the editorial rules of the ISO/IEC Directives, Part 2 (see www.iso.org/directives).

Attention is drawn to the possibility that some of the elements of this document may be the subject of patent rights. ISO shall not be held responsible for identifying any or all such patent rights. Details of any patent rights identified during the development of the document will be in the Introduction and/or on the ISO list of patent declarations received (see www.iso.org/patents).

Any trade name used in this document is information given for the convenience of users and does not constitute an endorsement.

For an explanation on the voluntary nature of standards, the meaning of ISO specific terms and expressions related to conformity assessment, as well as information about ISO's adherence to the World Trade Organization (WTO) principles in the Technical Barriers to Trade (TBT) see the following URL: www.iso.org/iso/foreword.html.

This document was prepared by Technical Committee ISO/TC 10, *Technical product documentation*.

This third edition cancels and replaces the second edition (ISO 12757-1:2016), of which it constitutes a minor revision, with changes in [Clause 2](#), [4.2](#), [5.2](#) and [5.3](#).

A list of all parts in the ISO 12757 series can be found on the ISO website.

Introduction

This document is applicable to ball point pens for general use. ISO 12757-2 is applicable to ball point pens for documentary use.

For documentary use, some requirements, in addition to those for general use, are necessary

- a) to ensure the legibility of lettering, and
- b) for the handling and storage of documents during long periods of time (these requirements are often discussed with the archivist).

An example of documentary use is the preparation of documents that are required as evidence.

Furthermore, pens which meet the requirements for documentary use produce lines which are more resistant to modification (e.g. attempts to falsify a document) than those for general use.

Ball point pens and refills —

Part 1: General use

1 Scope

This document establishes minimum quality requirements for ball point pens (refillable or non-refillable) and refills for general use.

Additional requirements for ball point pens for documentary use are given in ISO 12757-2.

2 Normative references

The following documents are referred to in the text in such a way that some or all of their content constitutes requirements of this document. For dated references, only the edition cited applies. For undated references, the latest edition of the referenced document (including any amendments) applies.

ISO 105-A02, *Textiles — Tests for colour fastness — Part A02: Grey scale for assessing change in colour*

ISO 105-B02, *Textiles — Tests for colour fastness — Part B02: Colour fastness to artificial light: Xenon arc fading lamp test*

ISO 534, *Paper and board — Determination of thickness, density and specific volume*

ISO 535, *Paper and board — Determination of water absorptiveness — Cobb method*

ISO 536, *Paper and board — Determination of grammage*

ISO 868, *Plastics and ebonite — Determination of indentation hardness by means of a durometer (Shore hardness)*

ISO 2144, *Paper, board and pulps — Determination of residue (ash) on ignition at 900 degrees C*

ISO 5627, *Paper and board — Determination of smoothness (Bekk method)*

ISO 8791-4, *Paper and board — Determination of roughness/smoothness (air leak methods) — Part 4: Print-surf method*

ISO 12756, *Drawing and writing instruments — Ball point pens and roller ball pens — Vocabulary*

3 Terms and definitions

For the purposes of this document, the terms and definitions given in ISO 12756 apply.

ISO and IEC maintain terminological databases for use in standardization at the following addresses:

- ISO Online browsing platform: available at <https://www.iso.org/obp>
- IEC Electropedia: available at <http://www.electropedia.org/>

SS-ISO 12757-1:2017 (E)

4 Requirements

4.1 Tip classification

Tips shall be classified according to ball diameter (see Table 1).

Table 1 — Tip classification

Dimensions in millimetres

Tip classification (line width)	Tip code	Ball diameter
Extra fine	EF	$\varnothing < 0,65$
Fine	F	$0,65 \leq \varnothing < 0,85$
Medium	M	$0,85 \leq \varnothing < 1,05$
Broad	B	$1,05 \leq \varnothing$

4.2 Shapes and dimensions of refills

Refills shall be classified into types A, B, D, E, F, G and H. The shapes and dimensions of types A to G are given in Figures 1 to 4 and Tables 2 and 3. Refills with shapes and dimensions other than those specified in Tables 2 and 3 and Figures 1 to 4 are designated type H.

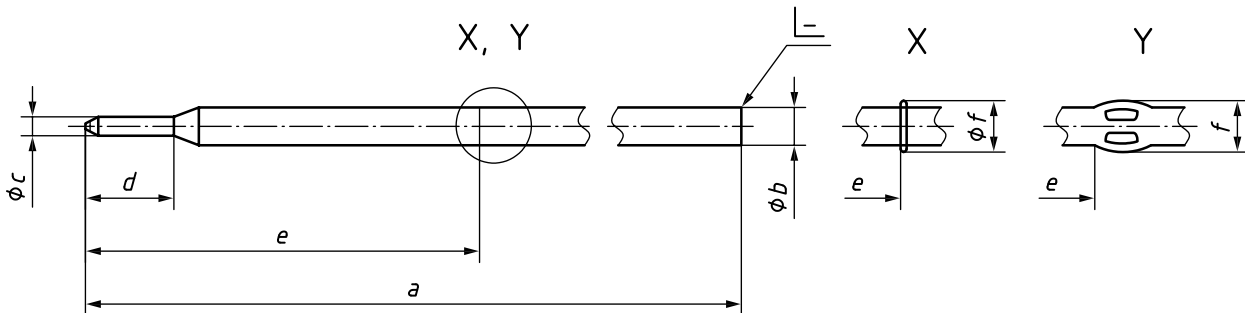


Figure 1 — Refill types A1, A2 and B

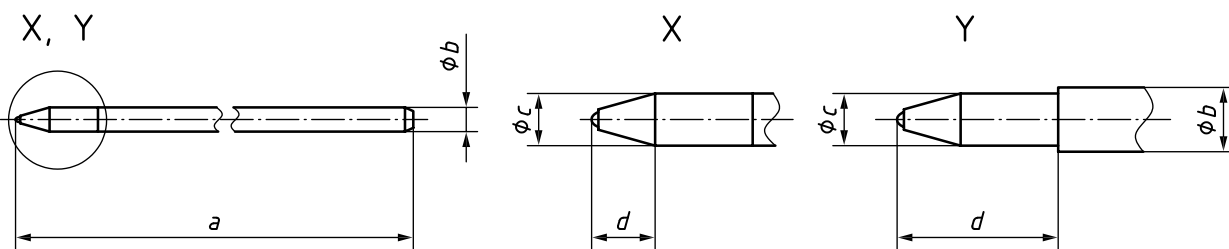


Figure 2 — Refill types D, E and F

Table 2 — Dimensions of refill types A, B, D, E and F

Dimensions in millimetres

Type code	Figure	<i>a</i>	<i>b</i>	<i>c</i>	<i>d</i>	<i>e</i>	<i>f</i>
A1	1	106,8 ± 0,2	3,2 ⁰ _{-0,2}	2,4 ± 0,02	10,2 ± 0,5	33,4 ^{+0,5} ₀	4,3 ± 0,2
A2	1	106,8 ± 0,2	3,2 ⁰ _{-0,2}	1,6 ± 0,02	7,5 ^{+0,5} ₀	33,4 ^{+0,5} ₀	4,3 ± 0,2
B	1	98,2 ± 0,8	3 ^{+0,2} _{-0,1}	2,28 ± 0,04	≥ 7	23 ± 2	4,5 ± 0,2
D	2X	67 ^{+0,3} ₀	2,35 ⁰ _{-0,05}	2,35 ^{+0,05} ₀	3 ± 0,2	—	—
E	2Y	140 ± 2	3 ^{+0,2} _{-0,1}	2,25 ± 0,03	7,5 ± 0,05	—	—
F	2Y	143 ± 2	3 ^{+0,2} _{-0,1}	2,3 ± 0,03	8,5 ± 0,5	—	—

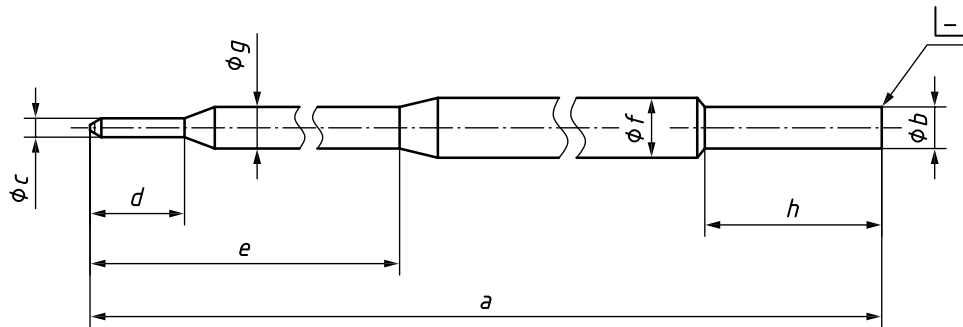


Figure 3 — Refill types G1

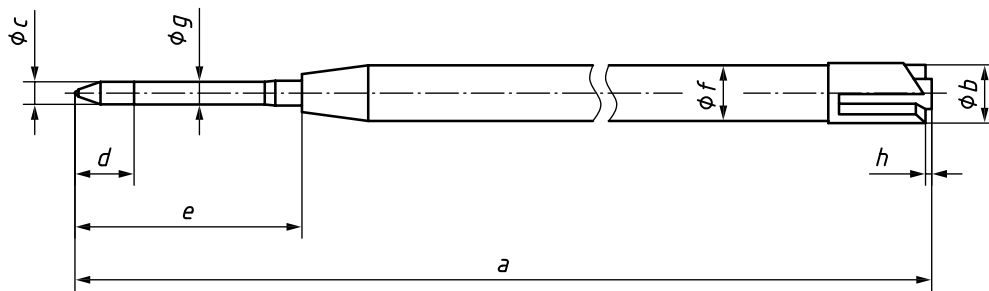


Figure 4 — Refill types G2

Table 3 — Dimensions of refill types G1 and G2

Dimensions in millimetres

Type code	Figure	<i>a</i>	<i>b</i>	<i>c</i>	<i>d</i>	<i>e</i>	<i>f</i>	<i>g</i>	<i>h</i>
G1	3	106,8 ± 0,2	3,2 ⁰ _{-0,05}	1,6 ± 0,02	7,5 ^{+0,5} ₀	30,5 ± 0,25	5 ± 0,05	3,3 ⁰ _{-0,1}	13,8 ± 0,5
G2	4	98,1 ^{+0,40} _{-0,35}	6 ^{+0,1} _{-0,2}	2,54 ^{+0,03} _{-0,04}	6,2 ± 0,2	23,2 ± 1	5,8 ± 0,1	2,4 ± 0,1	0,6 ± 0,2