

SVENSK STANDARD

SS-ISO 6624-2:2017



Fastställt/Approved: 2017-11-24
Publicerad/Published: 2017-11-27
Utgåva/Edition: 1
Språk/Language: engelska/English
ICS: 43.060.10

Förbränningsmotorer – Kolvringar – Del 2: Halva slutstegsringar i gjutjärn (ISO 6624-2:2016, IDT)

Internal combustion engines – Piston rings – Part 2: Half keystone rings made of cast iron (ISO 6624-2:2016, IDT)

This preview is downloaded from www.sis.se. Buy the entire standard via <https://www.sis.se/std-8029813>

Standarder får världen att fungera

SIS (Swedish Standards Institute) är en fristående ideell förening med medlemmar från både privat och offentlig sektor. Vi är en del av det europeiska och globala nätverk som utarbetar internationella standarder. Standarder är dokumenterad kunskap utvecklad av framstående aktörer inom industri, näringsliv och samhälle och befrämjar handel över gränser, bidrar till att processer och produkter blir säkrare samt effektiviserar din verksamhet.

Delta och påverka

Som medlem i SIS har du möjlighet att påverka framtida standarder inom ditt område på nationell, europeisk och global nivå. Du får samtidigt tillgång till tidig information om utvecklingen inom din bransch.

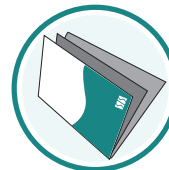
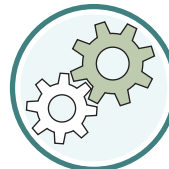
Ta del av det färdiga arbetet

Vi erbjuder våra kunder allt som rör standarder och deras tillämpning. Hos oss kan du köpa alla publikationer du behöver – allt från enskilda standarder, tekniska rapporter och standardpaket till handböcker och onlinetjänster. Genom vår webbtjänst e-nav får du tillgång till ett lättnavigerat bibliotek där alla standarder som är aktuella för ditt företag finns tillgängliga. Standarder och handböcker är källor till kunskap. Vi säljer dem.

Utveckla din kompetens och lyckas bättre i ditt arbete

Hos SIS kan du gå öppna eller företagsinterna utbildningar kring innehåll och tillämpning av standarder. Genom vår närhet till den internationella utvecklingen och ISO får du rätt kunskap i rätt tid, direkt från källan. Med vår kunskap om standarders möjligheter hjälper vi våra kunder att skapa verklig nytta och lönsamhet i sina verksamheter.

Vill du veta mer om SIS eller hur standarder kan effektivisera din verksamhet är du välkommen in på www.sis.se eller ta kontakt med oss på tel 08-555 523 00.



Standards make the world go round

SIS (Swedish Standards Institute) is an independent non-profit organisation with members from both the private and public sectors. We are part of the European and global network that draws up international standards. Standards consist of documented knowledge developed by prominent actors within the industry, business world and society. They promote cross-border trade, they help to make processes and products safer and they streamline your organisation.

Take part and have influence

As a member of SIS you will have the possibility to participate in standardization activities on national, European and global level. The membership in SIS will give you the opportunity to influence future standards and gain access to early stage information about developments within your field.

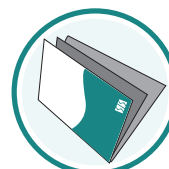
Get to know the finished work

We offer our customers everything in connection with standards and their application. You can purchase all the publications you need from us - everything from individual standards, technical reports and standard packages through to manuals and online services. Our web service e-nav gives you access to an easy-to-navigate library where all standards that are relevant to your company are available. Standards and manuals are sources of knowledge. We sell them.

Increase understanding and improve perception

With SIS you can undergo either shared or in-house training in the content and application of standards. Thanks to our proximity to international development and ISO you receive the right knowledge at the right time, direct from the source. With our knowledge about the potential of standards, we assist our customers in creating tangible benefit and profitability in their organisations.

If you want to know more about SIS, or how standards can streamline your organisation, please visit www.sis.se or contact us on phone +46 (0)8-555 523 00



Den internationella standarden ISO 6624-2:2016 gäller som svensk standard. Detta dokument innehåller den officiella engelska versionen av ISO 6624-2:2016.

The International Standard ISO 6624-2:2016 has the status of a Swedish Standard. This document contains the official version of ISO 6624-2:2016.

© Copyright/Upphovsrätten till denna produkt tillhör SIS, Swedish Standards Institute, Stockholm, Sverige. Användningen av denna produkt regleras av slutanvändarlicensen som återfinns i denna produkt, se standardens sista sidor.

© Copyright SIS, Swedish Standards Institute, Stockholm, Sweden. All rights reserved. The use of this product is governed by the end-user licence for this product. You will find the licence in the end of this document.

Upplysningar om sakinnehållet i standarden lämnas av SIS, Swedish Standards Institute, telefon 08-555 520 00. Standarder kan beställas hos SIS Förlag AB som även lämnar allmänna upplysningar om svensk och utländsk standard.

Information about the content of the standard is available from the Swedish Standards Institute (SIS), telephone +46 8 555 520 00. Standards may be ordered from SIS Förlag AB, who can also provide general information about Swedish and foreign standards.

Denna standard är framtagen av kommittén för Motorer i bilar, SIS/TK 220.

Har du synpunkter på innehållet i den här standarden, vill du delta i ett kommande revideringsarbete eller vara med och ta fram andra standarder inom området? Gå in på www.sis.se - där hittar du mer information.

Contents

Page

| | |
|--|-----------|
| Foreword | iv |
| Introduction | v |
| 1 Scope | 1 |
| 2 Normative references | 1 |
| 3 Overview | 1 |
| 4 Ring types and designation examples | 1 |
| 4.1 Type HK — Straight faced half keystone ring 7°..... | 1 |
| 4.1.1 General features..... | 1 |
| 4.1.2 Designation..... | 2 |
| 4.2 Type HKB — Barrel faced half keystone ring 7°..... | 2 |
| 4.2.1 General features..... | 2 |
| 4.2.2 Designation..... | 4 |
| 4.3 Type HKBA — Asymmetrical barrel faced half keystone ring 7° ($h_1 \geq 1,2$ mm)..... | 4 |
| 4.3.1 General features..... | 4 |
| 4.3.2 Designation..... | 5 |
| 5 Common features | 5 |
| 5.1 Type HK, HKB and HKBA — Half keystone ring..... | 5 |
| 5.1.1 Uncoated rings..... | 5 |
| 5.1.2 Chromium plated or spray coated rings..... | 6 |
| 5.2 Chamfered edges — Type HK, HKB and HKBA rings — Outside and/or inside chamfered edges (KA, KI)..... | 7 |
| 5.3 Type HK, HKB and HKBA rings (fully faced, semi-inlaid) — Plating/coating thickness..... | 7 |
| 6 Force factors | 8 |
| 7 Dimensions and forces | 8 |
| Annex A (normative) Calculation of measurement width h_3 of half keystone rings | 17 |
| Bibliography | 18 |

SS-ISO 6624-2:2017 (E)

Foreword

ISO (the International Organization for Standardization) is a worldwide federation of national standards bodies (ISO member bodies). The work of preparing International Standards is normally carried out through ISO technical committees. Each member body interested in a subject for which a technical committee has been established has the right to be represented on that committee. International organizations, governmental and non-governmental, in liaison with ISO, also take part in the work. ISO collaborates closely with the International Electrotechnical Commission (IEC) on all matters of electrotechnical standardization.

The procedures used to develop this document and those intended for its further maintenance are described in the ISO/IEC Directives, Part 1. In particular the different approval criteria needed for the different types of ISO documents should be noted. This document was drafted in accordance with the editorial rules of the ISO/IEC Directives, Part 2 (see www.iso.org/directives).

Attention is drawn to the possibility that some of the elements of this document may be the subject of patent rights. ISO shall not be held responsible for identifying any or all such patent rights. Details of any patent rights identified during the development of the document will be in the Introduction and/or on the ISO list of patent declarations received (see www.iso.org/patents).

Any trade name used in this document is information given for the convenience of users and does not constitute an endorsement.

For an explanation on the meaning of ISO specific terms and expressions related to conformity assessment, as well as information about ISO's adherence to the WTO principles in the Technical Barriers to Trade (TBT) see the following URL: [Foreword - Supplementary information](#)

The committee responsible for this document is ISO/TC 22, *Road vehicles*, Subcommittee SC 34, *Propulsion, powertrain and powertrain fluids*.

This second edition cancels and replaces the first edition (ISO 6624-2:2003), which has been technically revised.

ISO 6624 consists of the following parts, under the general title *Internal combustion engines — Piston rings*:

- *Part 1: Keystone rings made of cast iron*
- *Part 2: Half keystone rings made of cast iron*
- *Part 3: Keystone rings made of steel*
- *Part 4: Half keystone rings made of steel*

Introduction

ISO 6624 is one of a number of series of International Standards dealing with piston rings for reciprocating internal combustion engines. Others are ISO 6621,^{[2][3][4][5]} ISO 6622,^{[6][7]} ISO 6623,^[8] ISO 6625,^[9] ISO 6626,^{[10][11][12]} and ISO 6627.^[13]

Internal combustion engines — Piston rings —

Part 2: Half keystone rings made of cast iron

1 Scope

This part of ISO 6624 specifies the essential dimensional features of half keystone rings made of cast iron, types HK, HKB and HKBA, having nominal diameters from 38 mm up to, and including, 160 mm, used in reciprocating internal combustion piston engines for road vehicles and other applications.

2 Normative references

The following documents, in whole or in part, are normatively referenced in this document and are indispensable for its application. For dated references, only the edition cited applies. For undated references, the latest edition of the referenced document (including any amendments) applies.

ISO 6621-4, *Internal combustion engines — Piston rings — Part 4: General specifications*

3 Overview

The half keystone ring types are specified in [Tables 1](#) and [2](#) and [Figures 1](#) to [3](#). Their common features and the dimensions of those features are specified in [Tables 3](#) and [4](#) and [Figures 4](#) to [9](#). [Tables 5](#) and [6](#) give the force factors for the different ring types, while [Table 7](#) gives the dimensions and forces of half keystone rings.

The common features and dimensional tables presented in this part of ISO 6624 constitute a broad range of variables and, in selecting a particular ring type, the designer shall bear in mind the conditions under which it will be required to operate.

It is also essential that the designer refer to the specifications and requirements of ISO 6621-3^[4] and ISO 6621-4 before completing selection.

4 Ring types and designation examples

NOTE For the angle of half keystone rings, the same definition and measurement apply as for keystone rings (see ISO 6621-2).

4.1 Type HK — Straight faced half keystone ring 7°

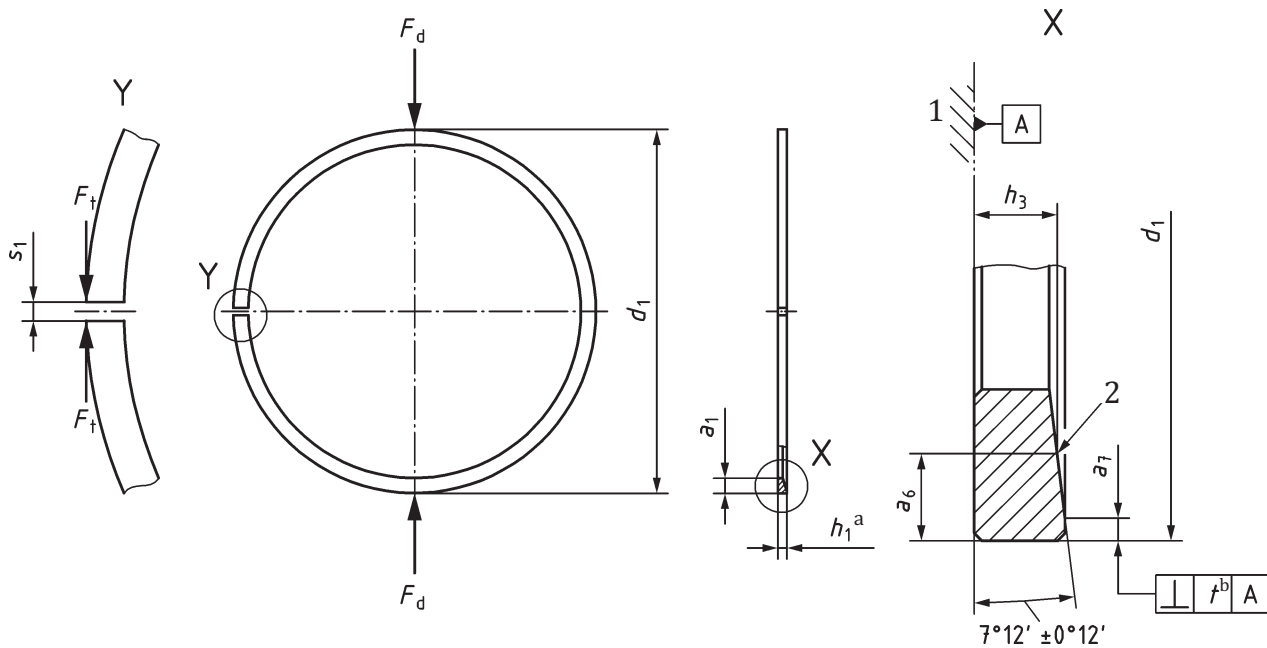
4.1.1 General features

[Figure 1](#) shows the general features of piston ring type HK.

See [Table 7](#) for dimensions and forces.

h_3 values are calculated based on [Annex A](#).

SS-ISO 6624-2:2017 (E)



Key

- 1 reference plane (ring is positioned flat against datum A)
- 2 top side identification mark
- a Nominal.
- b $t = 0,006 \times h_1$.

Figure 1 — Type HK

4.1.2 Designation

EXAMPLE Designation of a piston ring complying with the requirements of ISO 6624-2, being a 7° half keystone ring made of cast iron, with a straight-faced peripheral surface (HK), of $d_1 = 90$ mm (90), of nominal ring width $h_1 = 1,5$ mm (1,5), made of heat treated martensitic spheroidal graphite cast iron, subclass 53 (MC53), and having a chromium plated peripheral surface with a minimum thickness 0,1 mm (CR2). Parameters in parenthesis are used in the ISO ring designation:

Piston ring ISO 6624-2 HK - 90 × 1,5 - MC53/CR2

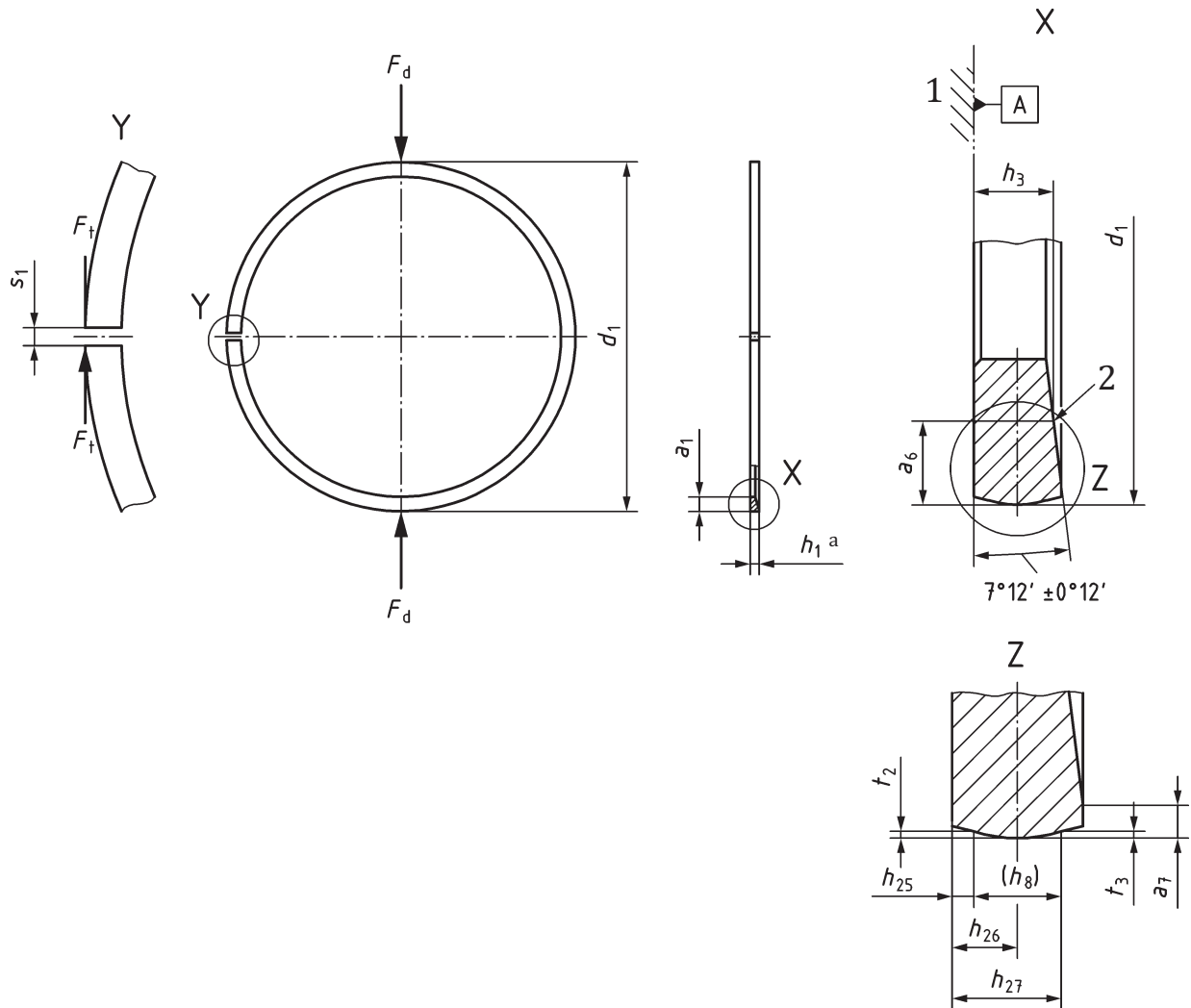
4.2 Type HKB — Barrel faced half keystone ring 7°

4.2.1 General features

[Figure 2](#) shows the general features of piston ring type HKB.

See [Table 7](#) for dimensions and forces.

h_3 values are calculated based on [Annex A](#).



Key

- 1 reference plane (ring is positioned flat against datum A)
- 2 top side identification mark
- a Nominal.

Figure 2 — Type HKB

Table 1 — Symmetrical barrel dimensions and gauge width (h_8)

Dimensions in millimetres

| h_1 | h_{25} | h_{26} | h_{26} tol. | h_{27} | t_2, t_3 | h_8^a |
|-------|----------|----------|---------------|----------|---------------|---------|
| 1,2 | 0,30 | 0,60 | $\pm 0,20$ | 0,90 | 0,002...0,012 | 0,60 |
| 1,5 | 0,35 | 0,75 | $\pm 0,25$ | 1,15 | 0,003...0,015 | 0,80 |
| 1,75 | 0,35 | 0,85 | $\pm 0,30$ | 1,35 | | 1,00 |
| 2,0 | 0,40 | 1,00 | $\pm 0,30$ | 1,60 | | 1,20 |
| 2,5 | 0,45 | 1,25 | $\pm 0,40$ | 2,05 | | 1,60 |
| 3,0 | 0,50 | 1,50 | $\pm 0,50$ | 2,50 | 0,005...0,020 | 2,00 |
| 3,5 | 0,55 | 1,75 | $\pm 0,50$ | 2,95 | | 2,40 |

^a Gauge width (h_8) only informative; may be used only if agreed between the manufacturer and the customer.