

SVENSK STANDARD

SS-EN 1176-6:2017



Fastställt/Approved: 2017-11-06
Publicerad/Published: 2017-11-07
Utgåva/Edition: 3
Språk/Language: engelska/English
ICS: 97.200.40

Lekredskap och ytbeläggning – Del 6: Vippgungor – Kompletterande säkerhetskrav och provningsmetoder

Playground equipment and surfacing – Part 6: Additional specific safety requirements and test methods for rocking equipment



Standarder får världen att fungera

SIS (Swedish Standards Institute) är en fristående ideell förening med medlemmar från både privat och offentlig sektor. Vi är en del av det europeiska och globala nätverk som utarbetar internationella standarder. Standarder är dokumenterad kunskap utvecklad av framstående aktörer inom industri, näringsliv och samhälle och befrämjar handel över gränser, bidrar till att processer och produkter blir säkrare samt effektiviserar din verksamhet.

Delta och påverka

Som medlem i SIS har du möjlighet att påverka framtida standarder inom ditt område på nationell, europeisk och global nivå. Du får samtidigt tillgång till tidig information om utvecklingen inom din bransch.

Ta del av det färdiga arbetet

Vi erbjuder våra kunder allt som rör standarder och deras tillämpning. Hos oss kan du köpa alla publikationer du behöver – allt från enskilda standarder, tekniska rapporter och standardpaket till handböcker och onlinetjänster. Genom vår webbtjänst e-nav får du tillgång till ett lättnavigerat bibliotek där alla standarder som är aktuella för ditt företag finns tillgängliga. Standarder och handböcker är källor till kunskap. Vi säljer dem.

Utveckla din kompetens och lyckas bättre i ditt arbete

Hos SIS kan du gå öppna eller företagsinterna utbildningar kring innehåll och tillämpning av standarder. Genom vår närhet till den internationella utvecklingen och ISO får du rätt kunskap i rätt tid, direkt från källan. Med vår kunskap om standarders möjligheter hjälper vi våra kunder att skapa verklig nytta och lönsamhet i sina verksamheter.

Vill du veta mer om SIS eller hur standarder kan effektivisera din verksamhet är du välkommen in på www.sis.se eller ta kontakt med oss på tel 08-555 523 00.



Standards make the world go round

SIS (Swedish Standards Institute) is an independent non-profit organisation with members from both the private and public sectors. We are part of the European and global network that draws up international standards. Standards consist of documented knowledge developed by prominent actors within the industry, business world and society. They promote cross-border trade, they help to make processes and products safer and they streamline your organisation.

Take part and have influence

As a member of SIS you will have the possibility to participate in standardization activities on national, European and global level. The membership in SIS will give you the opportunity to influence future standards and gain access to early stage information about developments within your field.

Get to know the finished work

We offer our customers everything in connection with standards and their application. You can purchase all the publications you need from us - everything from individual standards, technical reports and standard packages through to manuals and online services. Our web service e-nav gives you access to an easy-to-navigate library where all standards that are relevant to your company are available. Standards and manuals are sources of knowledge. We sell them.

Increase understanding and improve perception

With SIS you can undergo either shared or in-house training in the content and application of standards. Thanks to our proximity to international development and ISO you receive the right knowledge at the right time, direct from the source. With our knowledge about the potential of standards, we assist our customers in creating tangible benefit and profitability in their organisations.

If you want to know more about SIS, or how standards can streamline your organisation, please visit www.sis.se or contact us on phone +46 (0)8-555 523 00



Europastandarden EN 1176-6:2017 gäller som svensk standard. Detta dokument innehåller den officiella engelska versionen av EN 1176-6:2017.

Denna standard ersätter SS-EN 1176-6:2008, utgåva 2.

The European Standard EN 1176-6:2017 has the status of a Swedish Standard. This document contains the official version of EN 1176-6:2017.

This standard supersedes the Swedish Standard SS-EN 1176-6:2008, edition 2.

© Copyright/Upphovsrätten till denna produkt tillhör SIS, Swedish Standards Institute, Stockholm, Sverige. Användningen av denna produkt regleras av slutanvändarlicensen som återfinns i denna produkt, se standardens sista sidor.

© Copyright SIS, Swedish Standards Institute, Stockholm, Sweden. All rights reserved. The use of this product is governed by the end-user licence for this product. You will find the licence in the end of this document.

Upplysningar om sakinnehållet i standarden lämnas av SIS, Swedish Standards Institute, telefon 08-555 520 00. Standarder kan beställas hos SIS Förlag AB som även lämnar allmänna upplysningar om svensk och utländsk standard.

Information about the content of the standard is available from the Swedish Standards Institute (SIS), telephone +46 8 555 520 00. Standards may be ordered from SIS Förlag AB, who can also provide general information about Swedish and foreign standards.

Denna standard är framtagen av kommittén för Lekredskap, SIS/TK 379.

Har du synpunkter på innehållet i den här standarden, vill du delta i ett kommande revideringsarbete eller vara med och ta fram andra standarder inom området? Gå in på www.sis.se - där hittar du mer information.

EUROPEAN STANDARD

EN 1176-6

NORME EUROPÉENNE

EUROPÄISCHE NORM

October 2017

ICS 97.200.40

Supersedes EN 1176-6:2008

English Version

Playground equipment and surfacing - Part 6: Additional specific safety requirements and test methods for rocking equipment

Équipements et sols d'aires de jeux - Partie 6 :
Exigences de sécurité et méthodes d'essai
complémentaires spécifiques aux équipements
oscillants

Spielplatzgeräte und Spielplatzböden - Teil 6:
Zusätzliche besondere sicherheitstechnische
Anforderungen und Prüfverfahren für Wippgeräte

This European Standard was approved by CEN on 15 April 2016.

CEN members are bound to comply with the CEN/CENELEC Internal Regulations which stipulate the conditions for giving this European Standard the status of a national standard without any alteration. Up-to-date lists and bibliographical references concerning such national standards may be obtained on application to the CEN-CENELEC Management Centre or to any CEN member.

This European Standard exists in three official versions (English, French, German). A version in any other language made by translation under the responsibility of a CEN member into its own language and notified to the CEN-CENELEC Management Centre has the same status as the official versions.

CEN members are the national standards bodies of Austria, Belgium, Bulgaria, Croatia, Cyprus, Czech Republic, Denmark, Estonia, Finland, Former Yugoslav Republic of Macedonia, France, Germany, Greece, Hungary, Iceland, Ireland, Italy, Latvia, Lithuania, Luxembourg, Malta, Netherlands, Norway, Poland, Portugal, Romania, Serbia, Slovakia, Slovenia, Spain, Sweden, Switzerland, Turkey and United Kingdom.



EUROPEAN COMMITTEE FOR STANDARDIZATION
COMITÉ EUROPÉEN DE NORMALISATION
EUROPÄISCHES KOMITEE FÜR NORMUNG

CEN-CENELEC Management Centre: Avenue Marnix 17, B-1000 Brussels

Contents	Page
European foreword.....	3
1 Scope.....	4
2 Normative references.....	4
3 Terms and definitions.....	4
4 Safety requirements.....	10
4.1 General.....	10
4.2 Free height of fall.....	10
4.3 Seat/stand slope.....	10
4.4 Pinch, crush.....	10
4.5 Restraint of motion.....	10
4.6 Foot rests.....	10
4.7 Hand supports.....	10
4.8 Side view profiles.....	11
4.9 Entrapment.....	11
4.10 Falling space.....	11
4.11 Anchor covering.....	12
5 Additional type requirements.....	13
5.1 Axial seesaw (Type 1).....	13
5.2 Multi point seesaw/rocking equipment (Type 3A).....	14
5.3 Rocking seesaw (Type 4).....	14
5.4 Overhead single axis seesaw (Type 6).....	14
5.5 Forced movement.....	15
6 Test reports.....	15
7 Marking.....	15
Annex A (informative) Guidance for assessing the safety of rocking equipment other than Types 1 to 6.....	16
Annex B (normative) Determination of seat/stand slope and ground clearance.....	17
Annex C (normative) Determination of freedom from pinch and crush points.....	18
Annex D (normative) Determination of sideways stability.....	19
Annex E (normative) Determination of hand support and/or foot rest projection.....	20

European foreword

This document (EN 1176-6:2017) has been prepared by Technical Committee CEN/TC 136 “Sports, playground and other recreational facilities and equipment”, the secretariat of which is held by DIN.

This European Standard shall be given the status of a national standard, either by publication of an identical text or by endorsement, at the latest by April 2018, and conflicting national standards shall be withdrawn at the latest by October 2018.

Attention is drawn to the possibility that some of the elements of this document may be the subject of patent rights. CEN shall not be held responsible for identifying any or all such patent rights.

This document supersedes EN 1176-6:2008.

This European Standard EN 1176 “Playground equipment and surfacing” consists of a number of parts as follows:

- *Part 1: General safety requirements and test methods*
- *Part 2: Additional specific safety requirements and test methods for swings*
- *Part 3: Additional specific safety requirements and test methods for slides*
- *Part 4: Additional specific safety requirements and test methods for cableways*
- *Part 5: Additional specific safety requirements and test methods for carousels*
- *Part 6: Additional specific safety requirements and test methods for rocking equipment*
- *Part 7: Guidance on installation, inspection, maintenance and operation*
- *Part 10: Additional specific safety requirements and test methods for fully enclosed play equipment*
- *Part 11: Additional specific safety requirements and test methods for spatial network*

This part of EN 1176 is to be used in conjunction with EN 1176-1, EN 1176-7 and EN 1177.

For inflatable play equipment see EN 14960, *Inflatable play equipment — Safety requirements and test methods*.

The principal changes from the previous edition of this part of EN 1176 are as follows:

- a) type 2, 3 and 4 is not classified as a forced movement equipment;
- b) rocking equipment provided for standing use the falling space shall be at least 1,5 m.

According to the CEN/CENELEC Internal Regulations, the national standards organizations of the following countries are bound to implement this European Standard: Austria, Belgium, Bulgaria, Croatia, Cyprus, Czech Republic, Denmark, Estonia, Finland, Former Yugoslav Republic of Macedonia, France, Germany, Greece, Hungary, Iceland, Ireland, Italy, Latvia, Lithuania, Luxembourg, Malta, Netherlands, Norway, Poland, Portugal, Romania, Serbia, Slovakia, Slovenia, Spain, Sweden, Switzerland, Turkey and the United Kingdom.

SS-EN 1176-6:2017 (E)**1 Scope**

This document is applicable to rocking equipment which is used as playground equipment for children, as defined in 3.1. Where the main play function is not rocking, the relevant requirements in this document may be used, as appropriate.

This document specifies additional safety requirements and test methods for seesaws and rocking equipment intended for permanent installation for use by children.

It is intended to provide protection to the user against possible hazards during use.

NOTE Guidance for assessing the safety of other forms of seesaw/rocking equipment is given in informative Annex A.

2 Normative references

The following documents, in whole or in part, are normatively referenced in this document and are indispensable for its application. For dated references, only the edition cited applies. For undated references, the latest edition of the referenced document (including any amendments) applies.

EN 1176-1:2017, *Playground equipment and surfacing — Part 1: General safety requirements and test methods*

3 Terms and definitions

For the purposes of this document, the terms and definitions given in EN 1176-1 and the following apply.

3.1**rocking equipment**

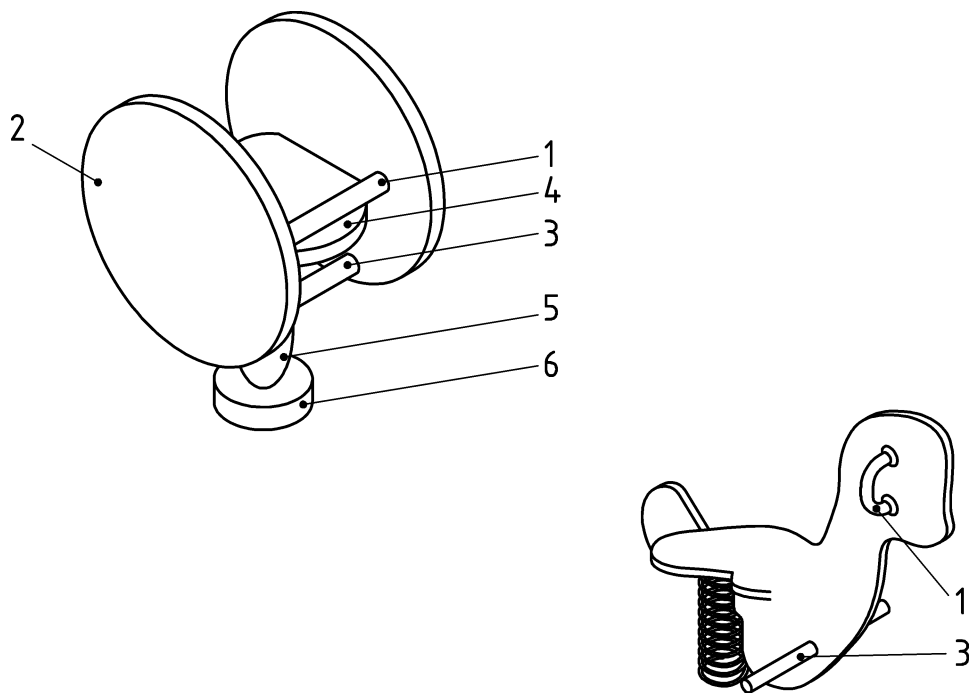
seesaw (hereinafter referred to as equipment)

equipment that can be set in motion by the user and is generally characterized by a rigid element that rocks about a central support

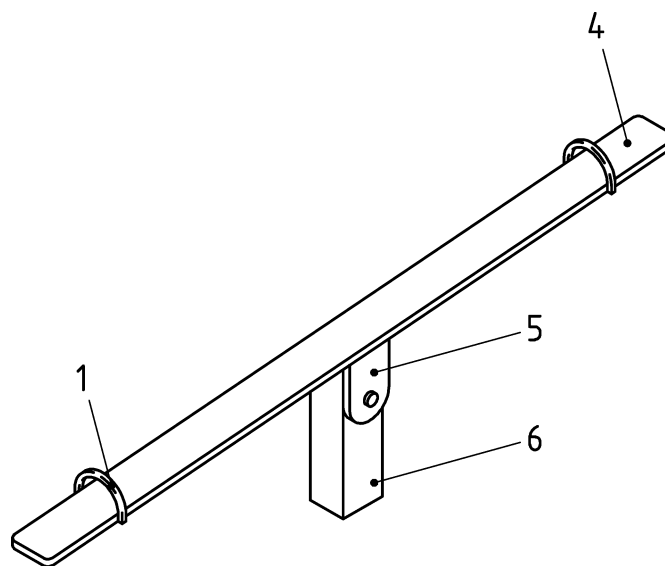
Note 1 to entry: The equipment can have one or several seats or stands.

Note 2 to entry: Figure 1a) shows the principle components for rocking equipment. Figure 1b) shows the principle components for seesaws.

Note 3 to entry: The seesaw/rocking movement depends on the type and configuration of fixture (see Figures 2 to 7).



a) Rocking equipment



b) Seesaw

Key

- 1 hand support
- 2 body
- 3 foot rest

- 4 seat/stand
- 5 supporting component
- 6 anchorage

Figure 1 — Principal components for rocking equipment/seesaw

SS-EN 1176-6:2017 (E)

**3.2
axial seesaw (Type 1)**

equipment in which only vertical movement can take place

Note 1 to entry: See Figure 2.

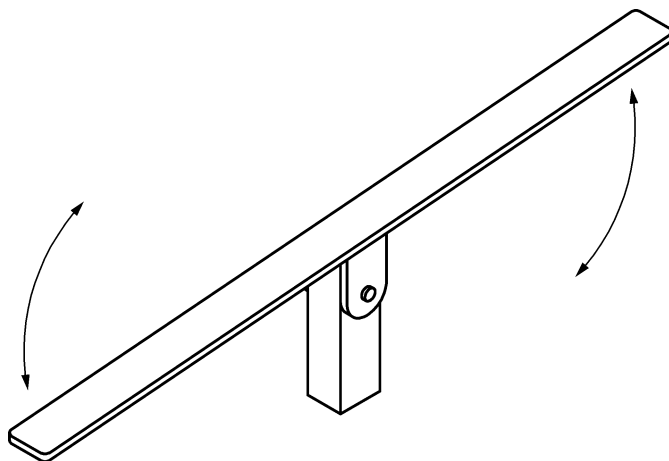


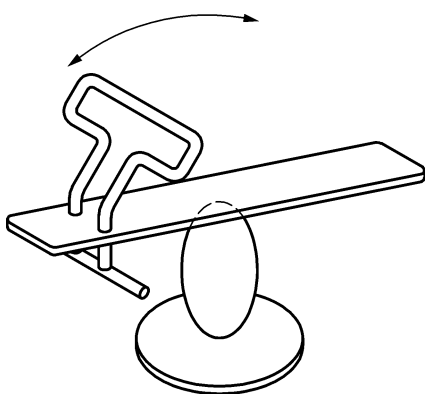
Figure 2 — Example of an axial seesaw (Type 1)

**3.3
single point seesaw
single point rocking equipment (Type 2A and 2B)**

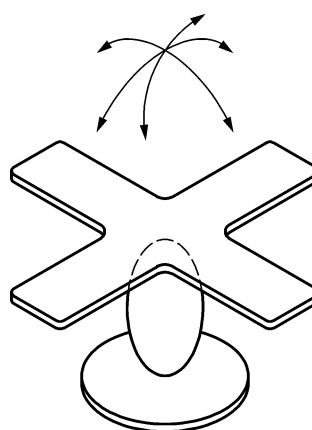
equipment with a single point supporting component

Note 1 to entry: See Figure 3.

Note 2 to entry: Typical single point supporting components include: coils, springs, torsion and compression blocks.



a) Type 2A with predetermined main direction of movement



b) Type 2B with multi-directional movement

Figure 3 — Examples of single point seesaw/rocking equipment (Types 2A and 2B)

3.4
multi point seesaw
multi point rocking equipment (Types 3A and 3B)
 equipment with several supporting components

Note 1 to entry: See Figure 4.

Note 2 to entry: The movement depends upon the placement and type of supporting components.

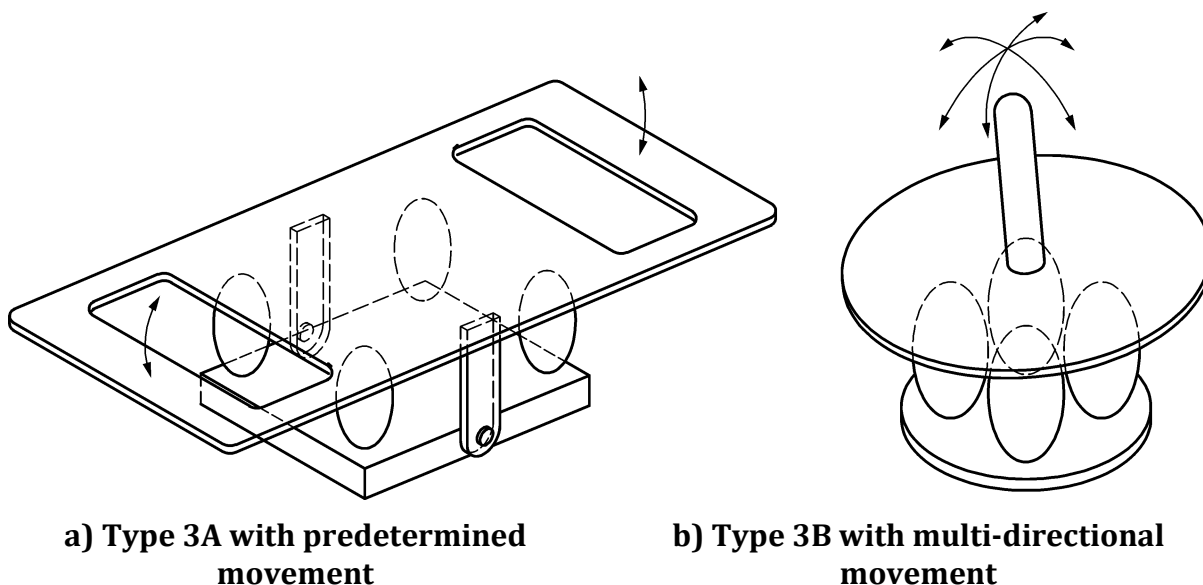


Figure 4 — Examples of multi point seesaw (Types 3A and 3B)

3.5
rocking seesaw (Type 4)
 equipment that is fixed so that the movement, which is mainly horizontal, is guided by several parallel axes and moves in one (to fro) direction only

Note 1 to entry: See Figure 5.

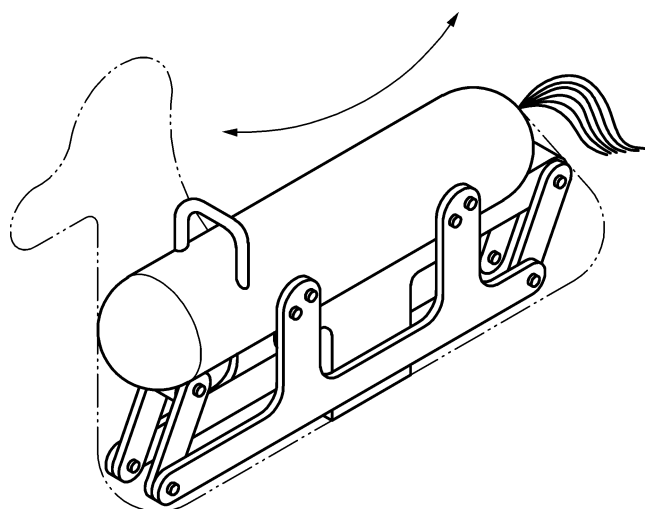


Figure 5 — Example of a rocking seesaw (Type 4)