

SVENSK STANDARD

SS-EN 1176-1:2017

Fastställt/Approved: 2017-11-06
Publicerad/Published: 2017-11-07
Utgåva/Edition: 3
Språk/Language: engelska/English
ICS: 97.200.40



Lekredskap och ytbeläggning – Del 1: Allmänna säkerhetskrav och provningsmetoder

Playground equipment and surfacing – Part 1: General safety requirements and test methods



Standarder får världen att fungera

SIS (Swedish Standards Institute) är en fristående ideell förening med medlemmar från både privat och offentlig sektor. Vi är en del av det europeiska och globala nätverk som utarbetar internationella standarder. Standarder är dokumenterad kunskap utvecklad av framstående aktörer inom industri, näringsliv och samhälle och befrämjar handel över gränser, bidrar till att processer och produkter blir säkrare samt effektiviserar din verksamhet.

Delta och påverka

Som medlem i SIS har du möjlighet att påverka framtida standarder inom ditt område på nationell, europeisk och global nivå. Du får samtidigt tillgång till tidig information om utvecklingen inom din bransch.

Ta del av det färdiga arbetet

Vi erbjuder våra kunder allt som rör standarder och deras tillämpning. Hos oss kan du köpa alla publikationer du behöver – allt från enskilda standarder, tekniska rapporter och standardpaket till handböcker och onlinetjänster. Genom vår webbtjänst e-nav får du tillgång till ett lättnavigerat bibliotek där alla standarder som är aktuella för ditt företag finns tillgängliga. Standarder och handböcker är källor till kunskap. Vi säljer dem.

Utveckla din kompetens och lyckas bättre i ditt arbete

Hos SIS kan du gå öppna eller företagsinterna utbildningar kring innehåll och tillämpning av standarder. Genom vår närhet till den internationella utvecklingen och ISO får du rätt kunskap i rätt tid, direkt från källan. Med vår kunskap om standarders möjligheter hjälper vi våra kunder att skapa verklig nytta och lönsamhet i sina verksamheter.

Vill du veta mer om SIS eller hur standarder kan effektivisera din verksamhet är du välkommen in på www.sis.se eller ta kontakt med oss på tel 08-555 523 00.



Standards make the world go round

SIS (Swedish Standards Institute) is an independent non-profit organisation with members from both the private and public sectors. We are part of the European and global network that draws up international standards. Standards consist of documented knowledge developed by prominent actors within the industry, business world and society. They promote cross-border trade, they help to make processes and products safer and they streamline your organisation.

Take part and have influence

As a member of SIS you will have the possibility to participate in standardization activities on national, European and global level. The membership in SIS will give you the opportunity to influence future standards and gain access to early stage information about developments within your field.

Get to know the finished work

We offer our customers everything in connection with standards and their application. You can purchase all the publications you need from us - everything from individual standards, technical reports and standard packages through to manuals and online services. Our web service e-nav gives you access to an easy-to-navigate library where all standards that are relevant to your company are available. Standards and manuals are sources of knowledge. We sell them.

Increase understanding and improve perception

With SIS you can undergo either shared or in-house training in the content and application of standards. Thanks to our proximity to international development and ISO you receive the right knowledge at the right time, direct from the source. With our knowledge about the potential of standards, we assist our customers in creating tangible benefit and profitability in their organisations.

If you want to know more about SIS, or how standards can streamline your organisation, please visit www.sis.se or contact us on phone +46 (0)8-555 523 00



Europastandarden EN 1176-1:2017 gäller som svensk standard. Detta dokument innehåller den officiella engelska versionen av EN 1176-1:2017.

Denna standard ersätter SS-EN 1176-1:2008, utgåva 2.

The European Standard EN 1176-1:2017 has the status of a Swedish Standard. This document contains the official version of EN 1176-1:2017.

This standard supersedes the Swedish Standard SS-EN 1176-1:2008, edition 2.

© Copyright/Upphovsrätten till denna produkt tillhör SIS, Swedish Standards Institute, Stockholm, Sverige. Användningen av denna produkt regleras av slutanvändarlicensen som återfinns i denna produkt, se standardens sista sidor.

© Copyright SIS, Swedish Standards Institute, Stockholm, Sweden. All rights reserved. The use of this product is governed by the end-user licence for this product. You will find the licence in the end of this document.

Upplysningar om sakinnehållet i standarden lämnas av SIS, Swedish Standards Institute, telefon 08-555 520 00. Standarder kan beställas hos SIS Förlag AB som även lämnar allmänna upplysningar om svensk och utländsk standard.

Information about the content of the standard is available from the Swedish Standards Institute (SIS), telephone +46 8 555 520 00. Standards may be ordered from SIS Förlag AB, who can also provide general information about Swedish and foreign standards.

Denna standard är framtagen av kommittén för Lekredskap, SIS/TK 379.

Har du synpunkter på innehållet i den här standarden, vill du delta i ett kommande revideringsarbete eller vara med och ta fram andra standarder inom området? Gå in på www.sis.se - där hittar du mer information.

EUROPEAN STANDARD

EN 1176-1

NORME EUROPÉENNE

EUROPÄISCHE NORM

October 2017

ICS 97.200.40

Supersedes EN 1176-1:2008

English Version

Playground equipment and surfacing - Part 1: General safety requirements and test methods

Équipements et sols d'aires de jeux - Partie 1:
Exigences de sécurité et méthodes d'essai générales

Spielplatzgeräte und Spielplatzböden - Teil 1:
Allgemeine sicherheitstechnische Anforderungen und
Prüfverfahren

This European Standard was approved by CEN on 8 June 2017.

CEN members are bound to comply with the CEN/CENELEC Internal Regulations which stipulate the conditions for giving this European Standard the status of a national standard without any alteration. Up-to-date lists and bibliographical references concerning such national standards may be obtained on application to the CEN-CENELEC Management Centre or to any CEN member.

This European Standard exists in three official versions (English, French, German). A version in any other language made by translation under the responsibility of a CEN member into its own language and notified to the CEN-CENELEC Management Centre has the same status as the official versions.

CEN members are the national standards bodies of Austria, Belgium, Bulgaria, Croatia, Cyprus, Czech Republic, Denmark, Estonia, Finland, Former Yugoslav Republic of Macedonia, France, Germany, Greece, Hungary, Iceland, Ireland, Italy, Latvia, Lithuania, Luxembourg, Malta, Netherlands, Norway, Poland, Portugal, Romania, Serbia, Slovakia, Slovenia, Spain, Sweden, Switzerland, Turkey and United Kingdom.



EUROPEAN COMMITTEE FOR STANDARDIZATION
COMITÉ EUROPÉEN DE NORMALISATION
EUROPÄISCHES KOMITEE FÜR NORMUNG

CEN-CENELEC Management Centre: Avenue Marnix 17, B-1000 Brussels

Contents		Page
European foreword.....		4
Introduction		7
1	Scope.....	8
2	Normative references.....	8
3	Terms and definitions	9
4	Safety requirements.....	17
4.1	Materials.....	17
4.1.1	General.....	17
4.1.2	Flammability.....	17
4.1.3	Timber and associated products	18
4.1.4	Metals	18
4.1.5	Synthetics.....	18
4.1.6	Dangerous substances.....	18
4.2	Design and manufacture.....	19
4.2.1	General.....	19
4.2.2	Structural integrity.....	19
4.2.3	Accessibility for adults.....	20
4.2.4	Protection against falling	20
4.2.5	Finish of equipment	24
4.2.6	Moving parts	24
4.2.7	Protection against entrapment.....	24
4.2.8	Protection against injuries during movement and falling	29
4.2.9	Means of access	38
4.2.10	Connections.....	41
4.2.11	Consumable components	41
4.2.12	Ropes	41
4.2.13	Chains	43
4.2.14	Foundations	43
4.2.15	Heavy suspended rigid beams.....	44
4.2.16	Bouncing facilities.....	45
5	Verification of compliance and reports	47
5.1	General.....	47
5.2	Confirming the adequate level of impact attenuation after installation of impact attenuating surfacing.....	47
6	Information to be provided by the manufacturer/supplier	47
6.1	Information to be provided by the manufacturer/supplier of playground equipment.....	47
6.1.1	General product information.....	47
6.1.2	Pre-information.....	48
6.1.3	Installation information	48
6.1.4	Inspection and maintenance information.....	49
6.2	Information to be provided by the manufacturer or supplier of impact attenuating surfacing.....	50
6.2.1	Pre-information for impact attenuating surfacing	50
6.2.2	Installation information for impact attenuating surfacing.....	51

6.2.3 Inspection and maintenance information for impact attenuating surfacing..... 51

6.2.4 Identification of impact attenuating playground surfacing 52

7 Marking 52

7.1 Equipment identification 52

7.2 Basic level mark..... 52

Annex A (normative) Loads..... 53

Annex B (normative) Method of calculation of structural integrity..... 60

Annex C (normative) Physical testing of structural integrity 72

Annex D (normative) Test methods for entrapment 74

Annex E (informative) Overview of possible entrapment situations 89

Annex F (informative) Illustrations of calculation of free height of fall (FHF) 91

Annex G (informative) Illustration of sieve test 97

Annex H (normative) Procedure for confirming the adequate level of impact attenuation
after installation of impact attenuating surfacing..... 99

Annex I (informative) A-deviations 100

Bibliography 102

SS-EN 1176-1:2017 (E)**European foreword**

This document (EN 1176-1:2017) has been prepared by Technical Committee CEN/TC 136 “Sports, playground and other recreational facilities and equipment”, the secretariat of which is held by DIN.

This European Standard shall be given the status of a national standard, either by publication of an identical text or by endorsement, at the latest by April 2018, and conflicting national standards shall be withdrawn at the latest by October 2018.

Attention is drawn to the possibility that some of the elements of this document may be the subject of patent rights. CEN shall not be held responsible for identifying any or all such patent rights.

This document supersedes EN 1176-1:2008.

EN 1176 “Playground equipment and surfacing” consists of the following parts:

- Part 1: *General safety requirements and test methods*
- Part 2: *Additional specific safety requirements and test methods for swings*
- Part 3: *Additional specific safety requirements and test methods for slides*
- Part 4: *Additional specific safety requirements and test methods for cableways*
- Part 5: *Additional specific safety requirements and test methods for carousels*
- Part 6: *Additional specific safety requirements and test methods for rocking equipment*
- Part 7: *Guidance on installation, inspection, maintenance and operation*
- Part 10: *Additional specific safety requirements and test methods for fully enclosed play equipment*
- Part 11: *Additional specific safety requirements and test methods for spatial network*

This part of EN 1176 should be read in conjunction with:

- EN 1177, *Impact attenuating playground surfacing — Determination of critical fall height*;
- CEN/TR 16467:2013, *Playground equipment accessible for all children*;
- CEN/TR 16598:2014, *Collection of rationales for EN 1176*;
- CEN/TR 16396:2012, *Playground equipment for children, replies to requests for interpretation of EN 1176:2008 and its parts*;
- CEN/TR 16879:2016, *Siting of playground and other recreational facilities — Advice on methods for positioning and separation*.

For inflatable play equipment, see EN 14960, *Inflatable play equipment — Safety requirements and test methods*.

The main changes from the previous edition of this standard are as follows:

- a) Reference to CEN/TR 16467:2013, CEN/TR 16598:2014, CEN/TR 16396:2012, CEN/TR 16879:2016 added;
- b) Scope amended to include reference to 'permanently installed' also reference to electricity, water and UV added;
- c) Clause 3.25 definition of easily accessible improved;
- d) New definitions added for impact attenuating surfacing, adequate level of impact attenuation, forced movement, bouncing facilities, suspension bed, one post equipment, post installation inspection, fireman's pole and tunnel;
- e) Clause 4.2.4.1 amended to agree with Figure 8;
- f) Clause 4.2.4.3 and 4.2.4.4 detail of measurement of 500 mm opening added;
- g) Clause 4.2.7.1 new sentence adding reference to Clause 4.2.7.2;
- h) Figure 13 amended to show direction of travel;
- i) Clause 4.2.8.1 cross reference to Table 2 added;
- j) Table 2 amended to clarify distinctions for climbing and hanging fall heights;
- k) Figure 14 amended to include two types of net structure in fall height examples;
- l) Clause 4.2.8.2.5 clarification of overlapping falling spaces added;
- m) Clause 4.2.8.5.2 and Table 4 revised to align with changes to EN 1177;
- n) Clause 4.2.9.5 major rewrite to clarify requirements for easily accessible equipment;
- o) Clause 4.2.12.2 inclusion of reference to use of probe E;
- p) New Clause 4.2.16 giving requirements for bouncing facilities;
- q) Clauses 5.2 and Annex H relating to Impact Attenuating Surfacing added;
- r) Clauses 6.2 amended to give more information on Impact Attenuating Surfacing;
- s) A.2.2, notes 1 and 2 now included as part of requirements;
- t) D.4.2, last paragraph now includes additional test requirement for holes behind holes;
- u) New test (D.5) and Figure (D.13) for testing chain openings added;
- v) New Figure (D.12) showing application of finger probes in test situations;
- w) New test (D.6) for bouncing facilities;
- x) New Annex F showing illustrations of free height of fall;
- y) New Annex G showing illustration of sieve test results and sieve curve;

SS-EN 1176-1:2017 (E)

- z) New Annex H "Procedure for confirming the adequate level of impact attenuation after installation of impact attenuating surfacing" added;
- aa) Annex I "A-Deviations" updated.

According to the CEN/CENELEC Internal Regulations, the national standards organizations of the following countries are bound to implement this European Standard: Austria, Belgium, Bulgaria, Croatia, Cyprus, Czech Republic, Denmark, Estonia, Finland, Former Yugoslav Republic of Macedonia, France, Germany, Greece, Hungary, Iceland, Ireland, Italy, Latvia, Lithuania, Luxembourg, Malta, Netherlands, Norway, Poland, Portugal, Romania, Serbia, Slovakia, Slovenia, Spain, Sweden, Switzerland, Turkey and the United Kingdom.

Introduction

For the quality of reading and understanding this standard, the following wording is used:

- shall = requirement;
- should = recommendation;
- may = permission;
- can = possibility.

It is not the purpose of the requirements of this standard to lessen the contribution that playground equipment makes to the child's development and/or play, which is meaningful from an educational point of view.

This standard acknowledges the difficulties of addressing safety issues by age criteria alone because the ability to handle risk is based on the individual users' level of skills and not age. Also, users other than the intended age range will almost certainly make use of the playground equipment.

Risk-taking is an essential feature of play provision and of all environments in which children legitimately spend time playing. Play provision aims to offer children the chance to encounter acceptable risks as part of a stimulating, challenging and controlled learning environment. Play provision should aim at managing the balance between the need to offer risk and the need to keep children safe from serious harm.

The principles of safety management are applicable both to workplaces in general as well as to play provision. However, the balance between safety and benefits is likely to be different in the two environments. In play provision, exposure to some degree of risk might be of benefit because it satisfies a basic human need and gives children the chance to learn about risk and consequences in a controlled environment.

Respecting the characteristics of children's play and the way children benefit from playing on the playground with regard to development, children need to learn to cope with risk and this can lead to bumps and bruises and even occasionally a broken limb. The aim of this standard is first and foremost to prevent accidents with a disabling or fatal consequence, and secondly to lessen serious consequences caused by the occasional mishap that inevitably will occur in children's pursuit of expanding their level of competence, be it socially, intellectually or physically.

Refusal of admittance and access as a safety precaution is problematic due to, for example, breach in supervision or help by peers. Requirements of significant importance, such as head and neck entrapment and protection against inadvertent falls, have been written with this in mind. It is also recognized that there is an increasing need for play provision to be accessible to users with disabilities. This of course requires play areas to provide a balance between safety and the offer of the required level of challenge and stimulation to all possible groups of users. However, for the purposes of protection against head and neck entrapment, this standard does not take into account children with an increased head size e.g. hydrocephalus or Down's syndrome or wearing helmets.

For further information about making play provision suitable for less able users a CEN Technical Report is available which discusses the challenges in provision and possible solutions that designers can consider. See the European foreword for details of this document.

In addition to the short-term risks that are associated with a playground, there is a risk that the playing child is overexposed to the ultraviolet radiation of the sun. Too much ultraviolet radiation and sunburns in childhood increase the risk of developing skin cancer later in life. Therefore, the playgrounds should be organized in a way that takes into account of the availability of shade options, and that a part of the playground equipment and recreational areas are placed entirely or partly in shade.

SS-EN 1176-1:2017 (E)**1 Scope**

This part of EN 1176 specifies general safety requirements for permanently installed public playground equipment and surfacing. Additional safety requirements for specific pieces of playground equipment are specified in subsequent parts of this standard.

This part of EN 1176 covers playground equipment for all children. It has been prepared with full recognition of the need for supervision of young children and of less able or less competent children.

The purpose of this part of EN 1176 is to ensure a proper level of safety when playing in, on or around playground equipment, and at the same time to promote activities and features known to benefit children because they provide valuable experiences that will enable them to cope with situations outside the playground.

This part of EN 1176 is applicable to playground equipment intended for individual and collective use by children. It is also applicable to equipment and units installed as children's playground equipment although they are not manufactured as such, but exclude those items defined as toys in EN 71 and the Toys Safety Directive.

It is not applicable to adventure playgrounds with the exception of those items which have been commercially sourced.

NOTE Adventure playgrounds are fenced, secured playgrounds, run and staffed in accordance with the widely accepted principles that encourage children's development and often use self-built equipment.

This part of EN 1176 specifies the requirements that will protect the child from hazards that they might be unable to foresee when using the equipment as intended, or in a manner that can be reasonably anticipated.

The use of electricity in play equipment, either as a play activity or as a motive force, is outside the scope of this standard. The attention of users is drawn to European and local national standards and regulations which are to be complied with when using electricity.

Play equipment placed in water and where water can be seen as impact attenuating surfacing is not fully covered by this standard and additional risks are associated with wet environments.

The risk of exposure to excessive levels of UV radiation is not covered in this standard.

2 Normative references

The following documents, in whole or in part, are normatively referenced in this document and are indispensable for its application. For dated references, only the edition cited applies. For undated references, the latest edition of the referenced document (including any amendments) applies.

EN 335, *Durability of wood and wood-based products — Use classes: definitions, application to solid wood and wood-based products*

EN 350:2016, *Durability of wood and wood-based products — Testing and classification of the durability to biological agents of wood and wood-based materials*

EN 351-1:2007, *Durability of wood and wood-based products — Preservative-treated solid wood — Part 1: Classification of preservative penetration and retention*

EN 636, *Plywood — Specifications*

EN 818-2:1996+A1:2008, *Short link chain for lifting purposes — Safety — Part 2: Medium tolerance chain for chain slings — Grade 8*

EN 818-3:1999+A1:2008, *Short link chain for lifting purposes — Safety — Part 3: Medium tolerance chain for chain slings — Grade 4*

EN 1177, *Impact attenuating playground surfacing — Determination of critical fall height*

EN 1991-1-2, *Eurocode 1: Actions on structures — Part 1-2: General actions — Actions on structures exposed to fire*

EN 1991-1-3, *Eurocode 1 — Actions on structures — Part 1-3: General actions — Snow loads*

EN 1991-1-4, *Eurocode 1: Actions on structures — Part 1-4: General actions — Wind actions*

EN 13411-3, *Terminations for steel wire ropes — Safety — Part 3: Ferrules and ferrule-securing*

EN 13411-5, *Terminations for steel wire ropes — Safety — Part 5: U-bolt wire rope grips*

EN ISO 2307, *Fibre ropes — Determination of certain physical and mechanical properties (ISO 2307)*

EN ISO 4892-3, *Plastics — Methods of exposure to laboratory light sources — Part 3: Fluorescent UV lamps (ISO 4892-3)*

EN ISO 9554, *Fibre ropes — General specifications (ISO 9554)*

EN ISO 13934-1, *Textiles — Tensile properties of fabrics — Part 1: Determination of maximum force and elongation at maximum force using the strip method (ISO 13934-1)*

3 Terms and definitions

For the purposes of this document, the following terms and definitions apply.

3.1

playground equipment

equipment and structure, including components and constructional elements with, or on which, children can play outdoors or indoors, either individually or in groups, according to their own rules or own reasons for playing which can change at any time

3.2

climbing equipment

playground equipment that only allows the user to move on it or in it by the use of a hand and foot/leg support and requires a minimum of three points of contact with the equipment, one of these being a hand

Note 1 to entry: During movement, it is possible to have only one or two points of contact but this is only during a transition from one rest position to the next.

3.3

impact area

area that can be hit by a user after falling through the falling space

3.4

impact attenuating surfacing

surfacing on impact areas intended to reduce the risk of injury when falling onto it

SS-EN 1176-1:2017 (E)

3.5

playing surface

surface of a playground from which the use of the playground equipment commences and which comprises at least the impact area

3.6

free space

space in, on or around the equipment that can be occupied by a user undergoing a movement forced by the equipment

Note 1 to entry: Examples for this are sliding, swinging, rocking, jumping in bouncing facility for several users (specific requirements are dealt with in the additional parts of EN 1176).

Note 2 to entry: See Figures 15, 16 and 19.

3.7

free height of fall

greatest vertical distance from the clearly intended body support to the impact area below

Note 1 to entry: The intended body support includes those surfaces to which access is encouraged.

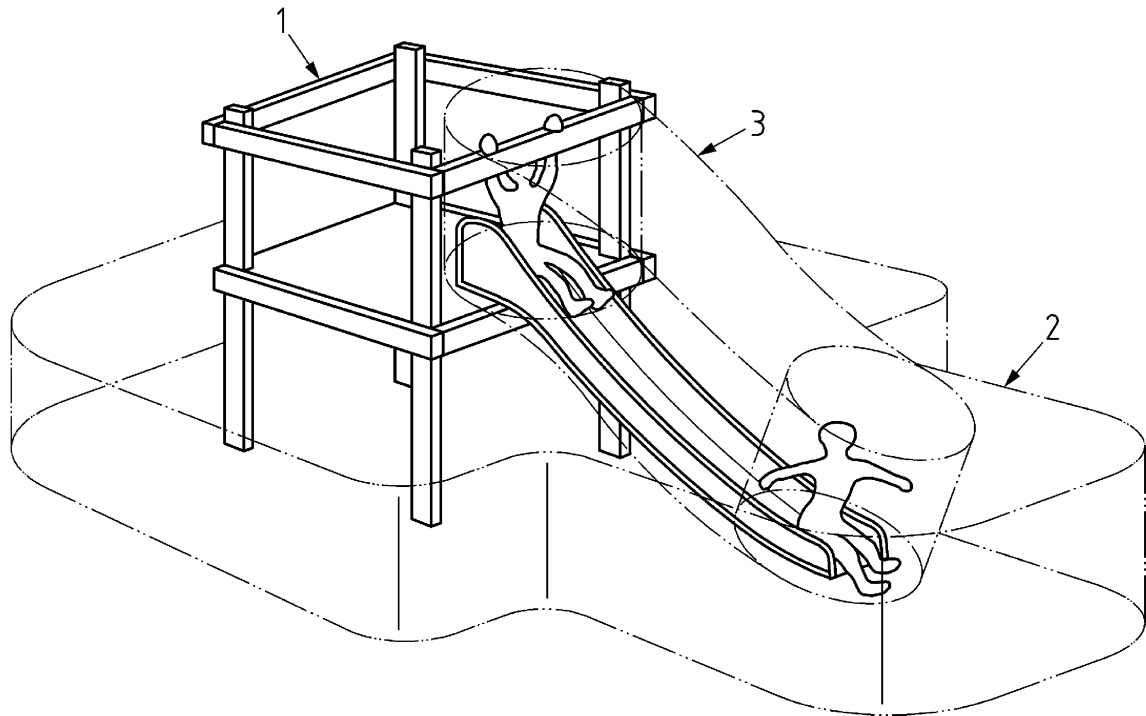
3.8

falling space

space in, on or around the equipment that can be passed through by a user falling from an elevated part of the equipment

Note 1 to entry: The falling space commences at the free height of fall.

Note 2 to entry: See Figure 1.



Key

- 1 space occupied by equipment
- 2 falling space
- 3 free space

Figure 1 — Spaces

**3.9
minimum space**

space required for the safe use of equipment, comprising falling space, free space and space occupied by the equipment

**3.10
collective use**

use by more than one user at the same time

**3.11
crushing point**

place where parts of the equipment can move against each other, or against a fixed area so that persons, or parts of their body, can be crushed

**3.12
shearing point**

place where part of the equipment can move past a fixed or other moving part, or past a fixed area so that persons, or parts of their body, can be cut

**3.13
ladder**

means of access incorporating rungs or steps on which a user can ascend or descend with the aid of the hands

Note 1 to entry: See Figure 2.

SS-EN 1176-1:2017 (E)

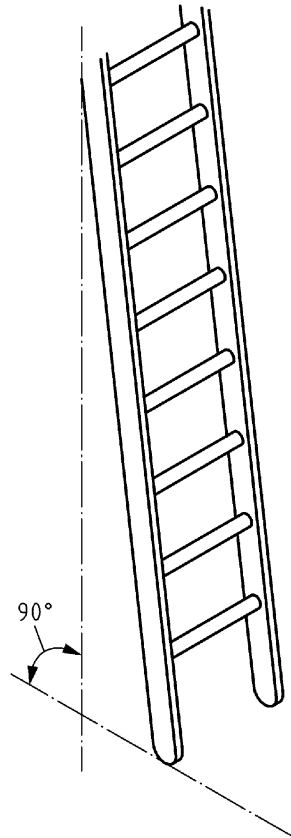


Figure 2 — Example of a ladder

3.14

stair

<playground equipment>

means of access incorporating three or more risers on which a user can ascend or descend

Note 1 to entry: See Figure 3 and Figure 21.

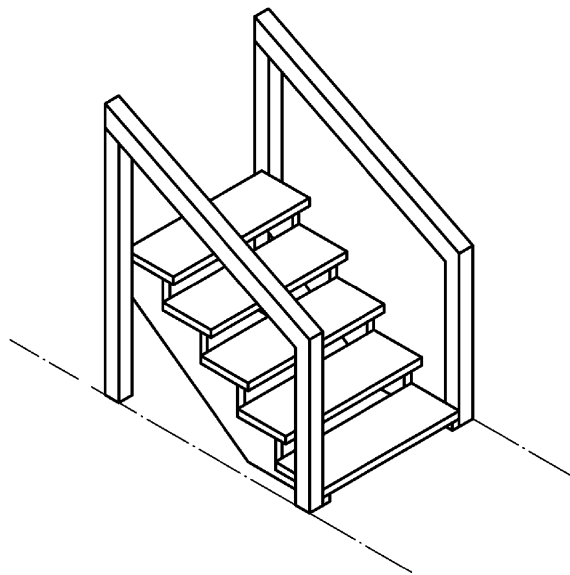


Figure 3 — Example of stairs

3.15

ramp

means of access incorporating an inclined surface on which a user can ascend or descend

Note 1 to entry: See Figure 4 and 4.2.9.3.

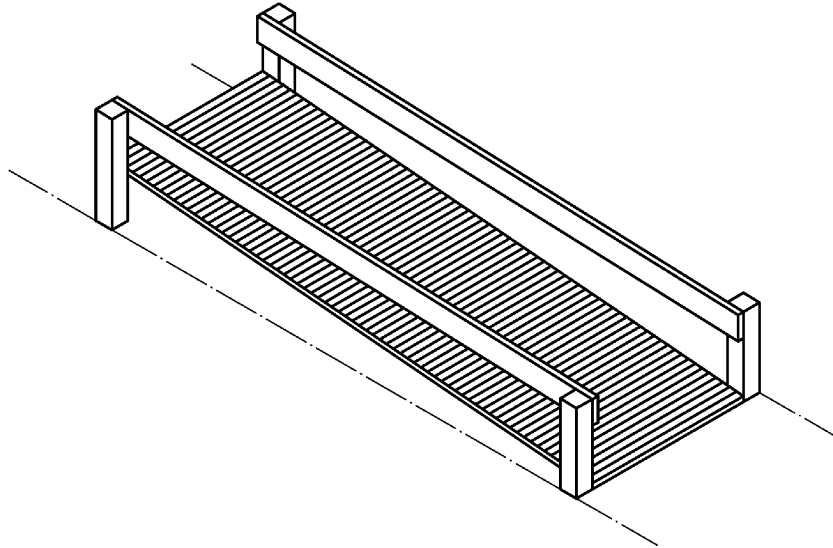


Figure 4 — Example of a ramp

3.16

grip

holding of the hand round the entire circumference of a support

Note 1 to entry: See Figure 5.

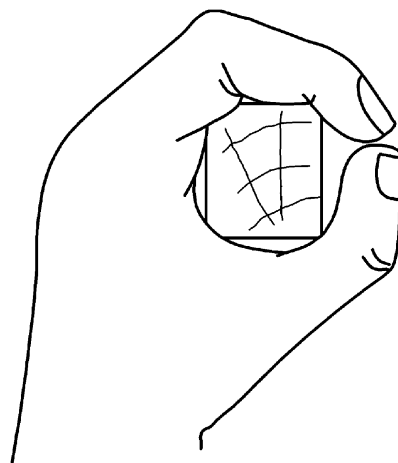


Figure 5 — Grip

3.17

grasp

holding of the hand round part of the circumference of a support

Note 1 to entry: See Figure 6.

SS-EN 1176-1:2017 (E)

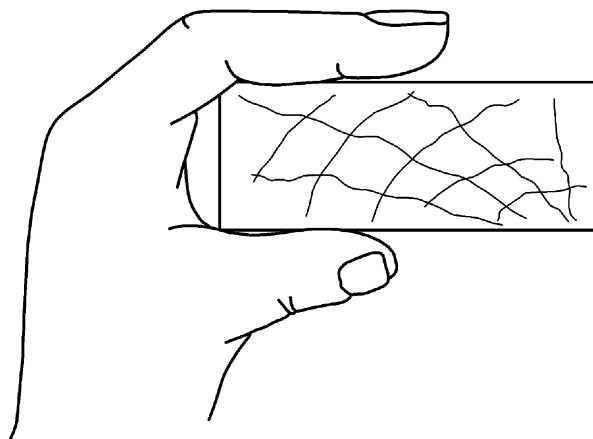


Figure 6 — Grasp

3.18

entrapment

hazard presented by the situation in which a body, or part of a body, or clothing can become trapped

Note 1 to entry: This part of EN 1176 only considers certain types of entrapment where the user is not able to free themselves and injury is caused by the entrapment.

3.19

obstacle

object or portion of object that protrudes inside the space occupied by equipment, the falling space or the free space of a user

Note 1 to entry: The risks associated with obstacles in playground equipment will vary according to its situation in, on or around the equipment e.g.:

- in the free space, something in the path of a user undergoing a forced movement;
- in the falling space, something hard and sharp that a user can hit during a fall from an elevated position;
- for other types of movement, something unexpected with which a user might collide whilst moving in, on or around the equipment.

3.20

cluster

two or more separate pieces of equipment designed to be installed in close proximity to each other to provide continuity in a sequence that is needed for the play activity

Note 1 to entry: An example for a cluster is a trail of stepping stones.

3.21

platform

raised surface where one or more users can stand without the need of hand support

Note 1 to entry: The classification of a platform will vary depending on the function of the playground equipment. Surfaces where the user is only able to stand with the aid of hand supports are not classified as platforms. This may be achieved by a number of means, e.g.:

- reducing the surface area to restrict free movement and encourage holding on;
- incline the surface to encourage holding on;
- introducing movement to the surface to encourage holding on.

3.22**handrail**

rail intended to assist the user to balance

3.23**guardrail**

rail intended to prevent a user from falling

3.24**barrier**

device intended to prevent the user from falling and from passing beneath

3.25**easily accessible**

requiring only basic skills to access the equipment, allowing users to move freely and quickly onto/within the equipment, without further considerations about the use of hands and feet

Note 1 to entry: Basics skills should control the ability of a child to use a means of access. If the user needs to consider where or how to use their hands and feet when negotiating a means of access the access should generally be considered not easy as it slows down the movement and provides time for intervention.

3.26**routine visual inspection**

inspection intended to identify obvious hazards that can result from normal use, vandalism or weather conditions

Note 1 to entry: Typical hazards can take the form of broken parts or broken bottles.

3.27**operational inspection**

inspection, more detailed than routine visual inspection, to check the operation and stability of the equipment

Note 1 to entry: Typical checks include an examination for wear.

3.28**annual main inspection**

inspection intended to establish the overall level of safety of equipment, foundations and playing surfaces

Note 1 to entry: Typical checks include the effects of weather, evidence of rotting or corrosion and any change in the level of safety of the equipment as a result of repairs made, or of added or replaced components.

3.29**steep play element**

access/egress play element of a gradient greater than 45 degrees from the horizontal

3.30**tiered platforms**

successive platforms of varying heights allowing the user to ascend or descend on or within the equipment

Note 1 to entry: Stairs are not considered to be tiered platforms.