

SVENSK STANDARD

SS-ISO 15219:2017



Fastställt/Approved: 2017-10-31
Publicerad/Published: 2017-11-02
Utgåva/Edition: 1
Språk/Language: engelska/English
ICS: 53.100

Anläggningsmaskiner – Lingrävmaskiner – Terminologi och handelsspecifikationer (ISO 15219:2004, IDT)

Earth-moving machinery – Cable excavators – Terminology and commercial specifications (ISO 15219:2004, IDT)



Standarder får världen att fungera

SIS (Swedish Standards Institute) är en fristående ideell förening med medlemmar från både privat och offentlig sektor. Vi är en del av det europeiska och globala nätverk som utarbetar internationella standarder. Standarder är dokumenterad kunskap utvecklad av framstående aktörer inom industri, näringsliv och samhälle och befrämjar handel över gränser, bidrar till att processer och produkter blir säkrare samt effektiviserar din verksamhet.

Delta och påverka

Som medlem i SIS har du möjlighet att påverka framtida standarder inom ditt område på nationell, europeisk och global nivå. Du får samtidigt tillgång till tidig information om utvecklingen inom din bransch.

Ta del av det färdiga arbetet

Vi erbjuder våra kunder allt som rör standarder och deras tillämpning. Hos oss kan du köpa alla publikationer du behöver – allt från enskilda standarder, tekniska rapporter och standardpaket till handböcker och onlinetjänster. Genom vår webbtjänst e-nav får du tillgång till ett lättnavigerat bibliotek där alla standarder som är aktuella för ditt företag finns tillgängliga. Standarder och handböcker är källor till kunskap. Vi säljer dem.

Utveckla din kompetens och lyckas bättre i ditt arbete

Hos SIS kan du gå öppna eller företagsinterna utbildningar kring innehåll och tillämpning av standarder. Genom vår närhet till den internationella utvecklingen och ISO får du rätt kunskap i rätt tid, direkt från källan. Med vår kunskap om standarders möjligheter hjälper vi våra kunder att skapa verklig nytta och lönsamhet i sina verksamheter.

Vill du veta mer om SIS eller hur standarder kan effektivisera din verksamhet är du välkommen in på www.sis.se eller ta kontakt med oss på tel 08-555 523 00.



Standards make the world go round

SIS (Swedish Standards Institute) is an independent non-profit organisation with members from both the private and public sectors. We are part of the European and global network that draws up international standards. Standards consist of documented knowledge developed by prominent actors within the industry, business world and society. They promote cross-border trade, they help to make processes and products safer and they streamline your organisation.

Take part and have influence

As a member of SIS you will have the possibility to participate in standardization activities on national, European and global level. The membership in SIS will give you the opportunity to influence future standards and gain access to early stage information about developments within your field.

Get to know the finished work

We offer our customers everything in connection with standards and their application. You can purchase all the publications you need from us - everything from individual standards, technical reports and standard packages through to manuals and online services. Our web service e-nav gives you access to an easy-to-navigate library where all standards that are relevant to your company are available. Standards and manuals are sources of knowledge. We sell them.

Increase understanding and improve perception

With SIS you can undergo either shared or in-house training in the content and application of standards. Thanks to our proximity to international development and ISO you receive the right knowledge at the right time, direct from the source. With our knowledge about the potential of standards, we assist our customers in creating tangible benefit and profitability in their organisations.

If you want to know more about SIS, or how standards can streamline your organisation, please visit www.sis.se or contact us on phone +46 (0)8-555 523 00



Den internationella standarden ISO 15219:2004 gäller som svensk standard. Detta dokument innehåller den officiella engelska versionen av ISO 15219:2004.

The International Standard ISO 15219:2004 has the status of a Swedish Standard. This document contains the official version of ISO 15219:2004.

© Copyright/Upphovsrätten till denna produkt tillhör SIS, Swedish Standards Institute, Stockholm, Sverige. Användningen av denna produkt regleras av slutanvändarlicensen som återfinns i denna produkt, se standardens sista sidor.

© Copyright SIS, Swedish Standards Institute, Stockholm, Sweden. All rights reserved. The use of this product is governed by the end-user licence for this product. You will find the licence in the end of this document.

Upplysningar om sakinnehållet i standarden lämnas av SIS, Swedish Standards Institute, telefon 08-555 520 00. Standarder kan beställas hos SIS Förlag AB som även lämnar allmänna upplysningar om svensk och utländsk standard.

Information about the content of the standard is available from the Swedish Standards Institute (SIS), telephone +46 8 555 520 00. Standards may be ordered from SIS Förlag AB, who can also provide general information about Swedish and foreign standards.

Denna standard är framtagen av kommittén för Anläggningsmaskiner, SIS/TK 225.

Har du synpunkter på innehållet i den här standarden, vill du delta i ett kommande revideringsarbete eller vara med och ta fram andra standarder inom området? Gå in på www.sis.se - där hittar du mer information.

Contents

Foreword.....	iv
1 Scope.....	1
2 Normative references	1
3 Terms and definitions.....	1
4 Base machine	3
4.1 Types of cable excavator	3
4.1.1 Crawler excavator	3
4.1.2 Wheeled excavator.....	3
4.2 Dimensions.....	3
4.3 Masses	5
4.4 Nomenclature	5
5 Equipment and attachments.....	7
5.1 Dimensions.....	7
5.1.1 General	7
5.1.2 Lifting equipment	7
5.1.3 Dragline equipment.....	8
5.1.4 Clamshell equipment.....	8
5.1.5 Stabilizer equipment.....	9
5.2 Dimensions for transport, shipping and travelling	10
5.2.1 Transport and shipping	10
5.2.2 Travelling on public roads	11
5.3 Nomenclature	12
5.3.1 Lifting equipment	12
5.3.2 Dragline equipment.....	13
5.3.3 Winch and pulley arrangement.....	14
5.3.4 Boom head.....	15
5.3.5 Lower boom section/boom sections.....	16
5.3.6 Hook assembly.....	17
5.3.7 Safety device	18
5.3.8 Special applications where base machine is used as carrier	20
Annex A (normative) Dimensions — Base machine	24
Annex B (normative) Dimensions — Equipment/attachments	28
Bibliography	36

SS-ISO 15219:2017 (E)

Foreword

ISO (the International Organization for Standardization) is a worldwide federation of national standards bodies (ISO member bodies). The work of preparing International Standards is normally carried out through ISO technical committees. Each member body interested in a subject for which a technical committee has been established has the right to be represented on that committee. International organizations, governmental and non-governmental, in liaison with ISO, also take part in the work. ISO collaborates closely with the International Electrotechnical Commission (IEC) on all matters of electrotechnical standardization.

International Standards are drafted in accordance with the rules given in the ISO/IEC Directives, Part 2.

The main task of technical committees is to prepare International Standards. Draft International Standards adopted by the technical committees are circulated to the member bodies for voting. Publication as an International Standard requires approval by at least 75 % of the member bodies casting a vote.

Attention is drawn to the possibility that some of the elements of this document may be the subject of patent rights. ISO shall not be held responsible for identifying any or all such patent rights.

ISO 15219 was prepared by Technical Committee ISO/TC 127, *Earth-moving machinery*, Subcommittee SC 4, *Commercial nomenclature, classification and rating*.

Earth-moving machinery — Cable excavators — Terminology and commercial specifications

1 Scope

This International Standard establishes terminology and the content of commercial literature specifications for self-propelled, crawler and wheeled cable excavators and their equipment. Cable excavators are primarily used for dragline, grab and clamshell applications and temporarily for lifting applications. While the base machine is often used as a carrier of equipment in special applications such as drilling and piling, specification of the dimensions of such equipment is outside the scope of this International Standard.

2 Normative references

The following referenced documents are indispensable for the application of this document. For dated references, only the edition cited applies. For undated references, the latest edition of the referenced document (including any amendments) applies.

ISO 6016, *Earth-moving machinery — Methods of measuring the masses of whole machines, their equipment and components*

ISO 6746-1:2003, *Earth-moving machinery — Definitions of dimensions and codes — Part 1: Base machine*

ISO 6746-2:2003, *Earth-moving machinery — Definitions of dimensions and codes — Part 2: Equipment and attachments*

3 Terms and definitions

For the purposes of this document, the following terms and definitions apply.

3.1

excavator

self-propelled machine on crawlers, wheels or legs, having an upper structure normally capable of a 360° swing with mounted equipment, primarily designed for excavating with a bucket, without moving the undercarriage during the work cycle

[ISO 6165:2001, definition 1.2.4]

NOTE 1 An excavator work cycle normally comprises excavating, elevating, swinging and discharging material.

NOTE 2 An excavator can also be used for object or material handling.

3.2

cable excavator

excavator having a wire rope-operated upper structure primarily designed for excavating with a dragline bucket, a front shovel or grab, used for compacting material with a compaction plate, for demolition work by hook or ball and for material handling with special equipment and attachment

[ISO 6165:2001, definition 1.2.4.3]

SS-ISO 15219:2017 (E)

3.3
base machine
machine with a cab or canopy and operator-protective structures if required, without equipment or attachments but possessing the necessary mountings for such equipment and attachments

[ISO 6746-1:2003, definition 3.3]

NOTE The base machine has the necessary mountings to secure the equipment and attachments specified in Clause 5.

3.4
equipment
set of components mounted onto the base machine which allows an attachment to perform the primary design function of the machine

[ISO 6746-2:2003, definition 3.4]

3.5
attachment
assembly of components that can be mounted onto the base machine or equipment for specific use

[ISO 6746-2:2003, definition 3.5]

3.6
component
part or an assembly of parts of a base machine, equipment or an attachment

[ISO 6746-2:2003, definition 3.6]

3.7
ground reference plane
GRP
plane on which the machine is placed for measurements: in the case of the base machine, a hard, level surface; in the case of equipment and attachments, either a hard, level surface or compacted earth

NOTE The surface used depends on the intended use of the machine and its equipment and attachments. This needs to be defined when developing specific ISO terminology standards or commercial specifications.

[ISO 6746-1:2003, definition 3.2]

4 Base machine

4.1 Types of cable excavator

4.1.1 Crawler excavator

See Figure 1.

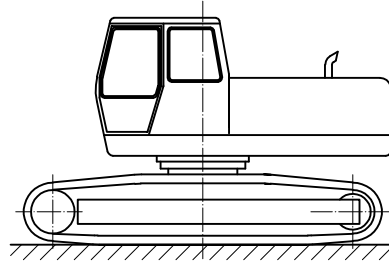


Figure 1 — Crawler excavator

4.1.2 Wheeled excavator

See Figure 2.

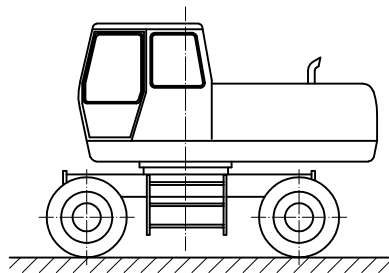
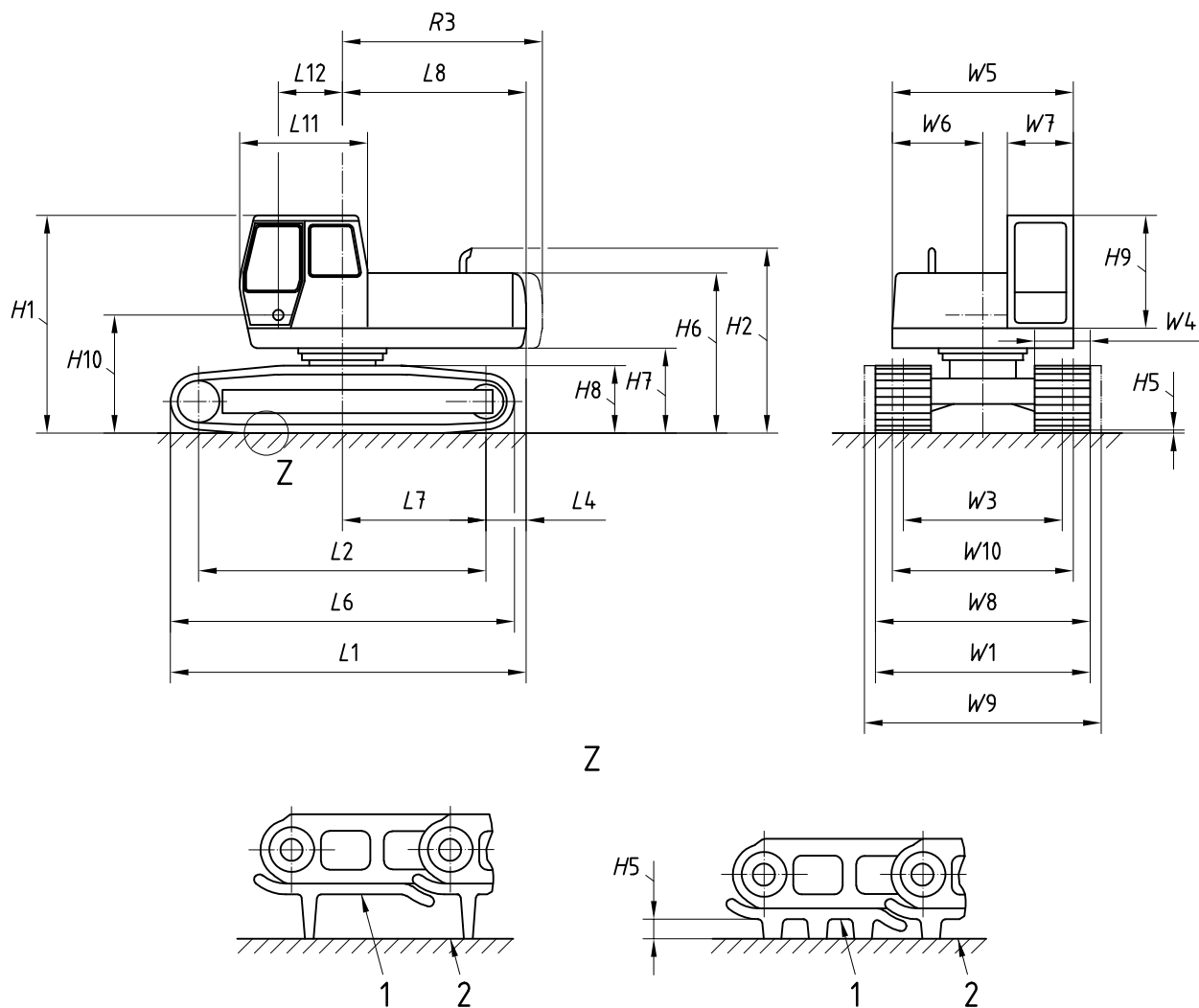


Figure 2 — Wheeled excavator

4.2 Dimensions

The dimensions of the base machine shall be as shown in Figures 3 and 4, in accordance with Annex A (dimensions strictly related to cable excavators) and ISO 6746-1:2003, Annexes A to D (basic dimensions).

SS-ISO 15219:2017 (E)



Key

- 1 face
- 2 GRP

Figure 3 — Dimensions of base machine — Crawler excavator

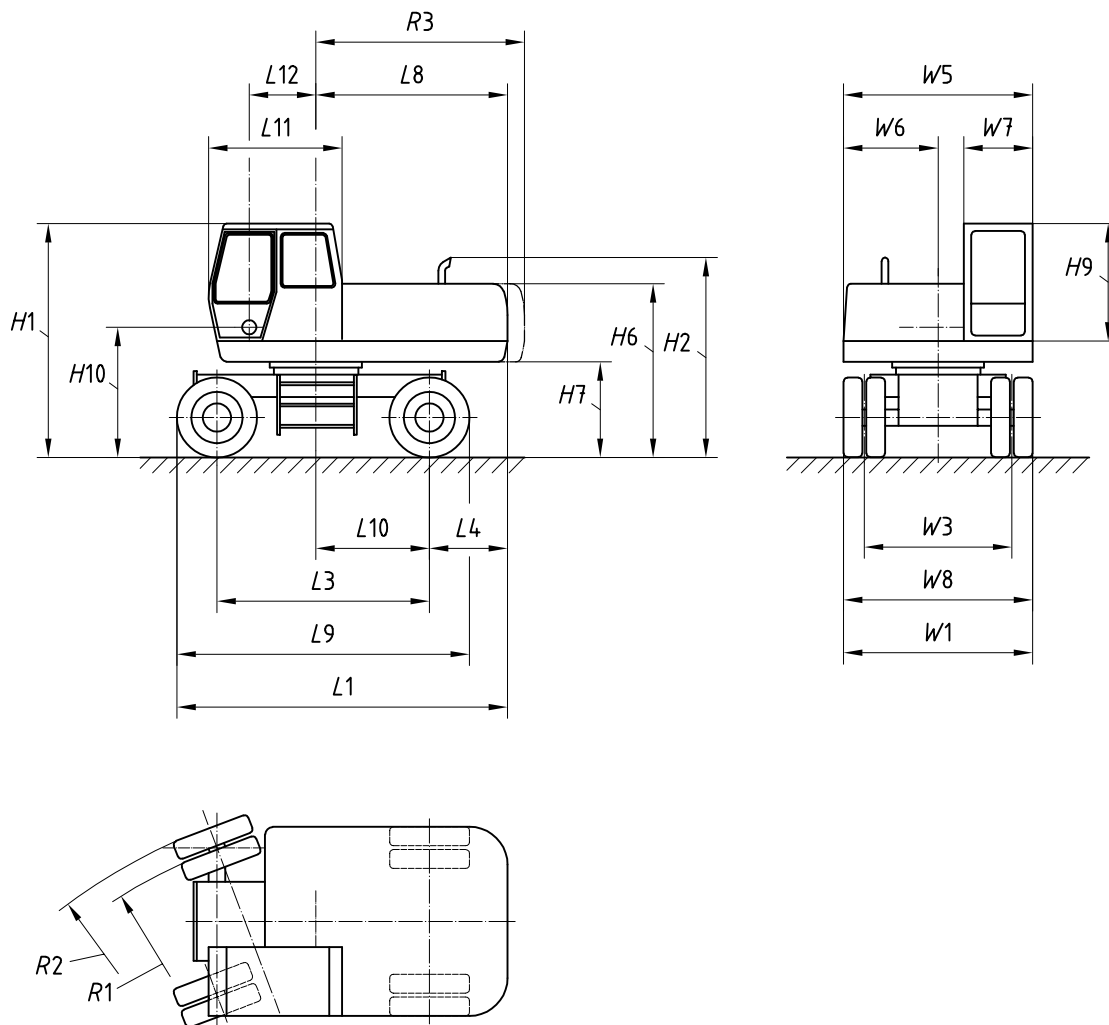


Figure 4 — Dimensions of base machine — Wheeled excavator

4.3 Masses

Masses shall be determined in accordance with ISO 6016.

4.4 Nomenclature

See Figure 5.