

SVENSK STANDARD

SS-EN 12020-2:2016

Fastställt/Approved: 2016-12-13
Publicerad/Published: 2016-12-20
Utgåva/Edition: 3
Språk/Language: engelska/English
ICS: 77.150.10

Aluminium och aluminiumlegeringar – Strängpressade precisionsprofiler i legering EN AW-6060 och EN AW-6063 – Del 2: Toleranser för dimension och form

Aluminium and aluminium alloys – Extruded precision profiles in alloys EN AW-6060 and EN AW-6063 – Part 2: Tolerances on dimensions and form

This preview is downloaded from www.sis.se. Buy the entire standard via <https://www.sis.se/std-8024020>

Standarder får världen att fungera

SIS (Swedish Standards Institute) är en fristående ideell förening med medlemmar från både privat och offentlig sektor. Vi är en del av det europeiska och globala nätverk som utarbetar internationella standarder. Standarder är dokumenterad kunskap utvecklad av framstående aktörer inom industri, näringsliv och samhälle och befrämjar handel över gränser, bidrar till att processer och produkter blir säkrare samt effektiviserar din verksamhet.

Delta och påverka

Som medlem i SIS har du möjlighet att påverka framtida standarder inom ditt område på nationell, europeisk och global nivå. Du får samtidigt tillgång till tidig information om utvecklingen inom din bransch.

Ta del av det färdiga arbetet

Vi erbjuder våra kunder allt som rör standarder och deras tillämpning. Hos oss kan du köpa alla publikationer du behöver – allt från enskilda standarder, tekniska rapporter och standardpaket till handböcker och onlinetjänster. Genom vår webbtjänst e-nav får du tillgång till ett lättnavigerat bibliotek där alla standarder som är aktuella för ditt företag finns tillgängliga. Standarder och handböcker är källor till kunskap. Vi säljer dem.

Utveckla din kompetens och lyckas bättre i ditt arbete

Hos SIS kan du gå öppna eller företagsinterna utbildningar kring innehåll och tillämpning av standarder. Genom vår närhet till den internationella utvecklingen och ISO får du rätt kunskap i rätt tid, direkt från källan. Med vår kunskap om standarders möjligheter hjälper vi våra kunder att skapa verklig nytta och lönsamhet i sina verksamheter.

Vill du veta mer om SIS eller hur standarder kan effektivisera din verksamhet är du välkommen in på www.sis.se eller ta kontakt med oss på tel 08-555 523 00.



Standards make the world go round

SIS (Swedish Standards Institute) is an independent non-profit organisation with members from both the private and public sectors. We are part of the European and global network that draws up international standards. Standards consist of documented knowledge developed by prominent actors within the industry, business world and society. They promote cross-border trade, they help to make processes and products safer and they streamline your organisation.

Take part and have influence

As a member of SIS you will have the possibility to participate in standardization activities on national, European and global level. The membership in SIS will give you the opportunity to influence future standards and gain access to early stage information about developments within your field.

Get to know the finished work

We offer our customers everything in connection with standards and their application. You can purchase all the publications you need from us - everything from individual standards, technical reports and standard packages through to manuals and online services. Our web service e-nav gives you access to an easy-to-navigate library where all standards that are relevant to your company are available. Standards and manuals are sources of knowledge. We sell them.

Increase understanding and improve perception

With SIS you can undergo either shared or in-house training in the content and application of standards. Thanks to our proximity to international development and ISO you receive the right knowledge at the right time, direct from the source. With our knowledge about the potential of standards, we assist our customers in creating tangible benefit and profitability in their organisations.

If you want to know more about SIS, or how standards can streamline your organisation, please visit www.sis.se or contact us on phone +46 (0)8-555 523 00



Europastandarden EN 12020-2:2016 gäller som svensk standard. Detta dokument innehåller den officiella engelska versionen av EN 12020-2:2016.

Denna standard ersätter SS-EN 12020-2:2008, utgåva 2.

The European Standard EN 12020-2:2016 has the status of a Swedish Standard. This document contains the official English version of EN 12020-2:2016.

This standard supersedes the Swedish Standard SS-EN 12020-2:2008, edition 2.

© Copyright/Upphovsrätten till denna produkt tillhör SIS, Swedish Standards Institute, Stockholm, Sverige. Användningen av denna produkt regleras av slutanvändarlicensen som återfinns i denna produkt, se standardens sista sidor.

© Copyright SIS, Swedish Standards Institute, Stockholm, Sweden. All rights reserved. The use of this product is governed by the end-user licence for this product. You will find the licence in the end of this document.

Upplysningar om sakinnehållet i standarden lämnas av SIS, Swedish Standards Institute, telefon 08-555 520 00. Standarder kan beställas hos SIS Förlag AB som även lämnar allmänna upplysningar om svensk och utländsk standard.

Information about the content of the standard is available from the Swedish Standards Institute (SIS), telephone +46 8 555 520 00. Standards may be ordered from SIS Förlag AB, who can also provide general information about Swedish and foreign standards.

Denna standard är framtagen av kommittén för Lättmetaller, SIS/TK 129.

Har du synpunkter på innehållet i den här standarden, vill du delta i ett kommande revideringsarbete eller vara med och ta fram andra standarder inom området? Gå in på www.sis.se - där hittar du mer information.

EUROPEAN STANDARD

EN 12020-2

NORME EUROPÉENNE

EUROPÄISCHE NORM

December 2016

ICS 77.150.10

Supersedes EN 12020-2:2008

English Version

Aluminium and aluminium alloys - Extruded precision profiles in alloys EN AW-6060 and EN AW-6063 - Part 2: Tolerances on dimensions and form

Aluminium et alliages d'aluminium - Profils de précision filés en alliages EN AW-6060 et EN AW-6063 - Partie 2 : Tolérances sur dimensions et forme

Aluminium und Aluminiumlegierungen - Stranggepresste Präzisionsprofile aus Legierungen EN AW-6060 und EN AW-6063 - Teil 2: Grenzabmaße und Formtoleranzen

This European Standard was approved by CEN on 4 March 2016.

CEN members are bound to comply with the CEN/CENELEC Internal Regulations which stipulate the conditions for giving this European Standard the status of a national standard without any alteration. Up-to-date lists and bibliographical references concerning such national standards may be obtained on application to the CEN-CENELEC Management Centre or to any CEN member.

This European Standard exists in three official versions (English, French, German). A version in any other language made by translation under the responsibility of a CEN member into its own language and notified to the CEN-CENELEC Management Centre has the same status as the official versions.

CEN members are the national standards bodies of Austria, Belgium, Bulgaria, Croatia, Cyprus, Czech Republic, Denmark, Estonia, Finland, Former Yugoslav Republic of Macedonia, France, Germany, Greece, Hungary, Iceland, Ireland, Italy, Latvia, Lithuania, Luxembourg, Malta, Netherlands, Norway, Poland, Portugal, Romania, Slovakia, Slovenia, Spain, Sweden, Switzerland, Turkey and United Kingdom.



EUROPEAN COMMITTEE FOR STANDARDIZATION
COMITÉ EUROPÉEN DE NORMALISATION
EUROPÄISCHES KOMITEE FÜR NORMUNG

CEN-CENELEC Management Centre: Avenue Marnix 17, B-1000 Brussels

SS-EN 12020-2:2016 (E)

Contents	Page
European foreword	3
1 Scope	4
2 Normative references	5
3 Tolerances on dimensions	5
3.1 General	5
3.2 Cross-sectional dimensions	5
3.3 Length	7
3.4 Squareness of cut ends	8
3.5 Length offset for profiles with a thermal barrier	8
4 Tolerances on form	8
4.1 Parallelism	8
4.2 Straightness	9
4.3 Convexity-Concavity	10
4.4 Contour	12
4.5 Twist	13
4.6 Angularity	15
4.7 Corner and fillet radii	16
Bibliography	18

European foreword

This document (EN 12020-2:2016) has been prepared by Technical Committee CEN/TC 132 “Aluminium and aluminium alloys”, the secretariat of which is held by AFNOR.

This European Standard shall be given the status of a national standard, either by publication of an identical text or by endorsement, at the latest by June 2017, and conflicting national standards shall be withdrawn at the latest by June 2017.

Attention is drawn to the possibility that some of the elements of this document may be the subject of patent rights. CEN shall not be held responsible for identifying any or all such patent rights.

This document supersedes EN 12020-2:2008.

The following technical modifications have been introduced during the revision:

- subclause 4.1, Parallelism;
- subclause 4.2, Straightness;
- subclause 4.5, Twist.

EN 12020 comprises the following parts under the general title “*Aluminium and aluminium alloys — Extruded precision profiles in alloys EN AW-6060 and EN AW-6063*”:

- *Part 1: Technical conditions for inspection and delivery*
- *Part 2: Tolerances on dimensions and form*

According to the CEN-CENELEC Internal Regulations, the national standards organisations of the following countries are bound to implement this European Standard: Austria, Belgium, Bulgaria, Croatia, Cyprus, Czech Republic, Denmark, Estonia, Finland, Former Yugoslav Republic of Macedonia, France, Germany, Greece, Hungary, Iceland, Ireland, Italy, Latvia, Lithuania, Luxembourg, Malta, Netherlands, Norway, Poland, Portugal, Romania, Slovakia, Slovenia, Spain, Sweden, Switzerland, Turkey and the United Kingdom.

SS-EN 12020-2:2016 (E)

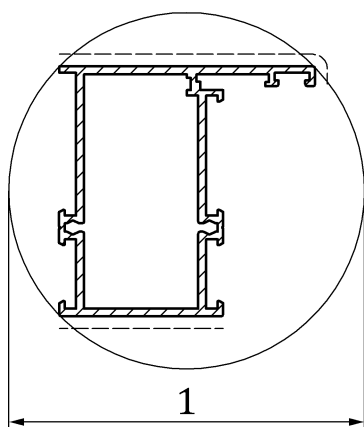
1 Scope

This European Standard specifies tolerances on dimensions and form of extruded precision profiles, in alloys EN AW-6060 and EN AW-6063 manufactured with and without a thermal barrier (see Figures 1 and 2). It applies to extruded products supplied without further surface treatment. Precision profiles covered in this standard are distinguished from extruded profiles for general applications covered in EN 755-9 by the following characteristics:

- they are mainly for architectural applications;
- they meet more stringent requirements regarding the surface condition of visible surfaces;
- the maximum diameter of the circumscribing circle CD is 350 mm;
- they are made to closer tolerances on dimensions and form.

In the case of profiles which, due to the complexity of their design, are difficult to manufacture and specify, then special agreements between supplier and purchaser may need to be reached.

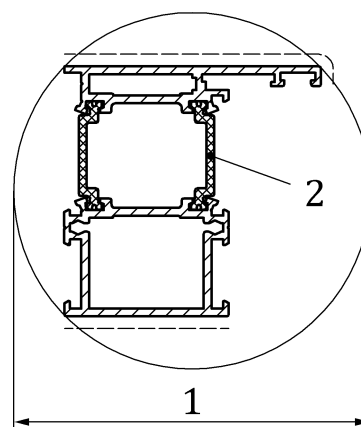
NOTE The effect of the thermal barrier material on the dimensional tolerances is covered by this document although the actual thermal barrier material itself is not (see EN 14024).



Key

1 CD maximum 350 mm

Figure 1 — Profile without thermal barrier



Key

1 CD maximum 350 mm
2 thermal barriers

Figure 2 — Profile containing thermal barrier

2 Normative references

The following documents, in whole or in part, are normatively referenced in this document and are indispensable for its application. For dated references, only the edition cited applies. For undated references, the latest edition of the referenced document (including any amendments) applies.

EN ISO 1101, *Geometrical product specifications (GPS) - Geometrical tolerancing - Tolerances of form, orientation, location and run-out (ISO 1101)*

3 Tolerances on dimensions

3.1 General

If, for compelling reasons, tolerances closer than those specified in 3.2.2 are required, these shall only be specified for dimensions that are critical to the function, subject to specific agreement between supplier and purchaser. Any such reduction shall not exceed two-thirds of the values specified in this standard and is subject to a minimum tolerance band of 0,3 mm.

3.2 Cross-sectional dimensions

3.2.1 General

The tolerances of the following dimensions (see Figure 3) are specified in Tables 1 and 2.

- *A*: wall thicknesses except those enclosing the hollow spaces in hollow profiles;
- *B*: wall thicknesses enclosing the hollow spaces in hollow profiles, except those between two hollow spaces;
- *C*: wall thicknesses between two hollow spaces in hollow profiles;
- *E*: the length of the shorter leg of profiles with open ends;
- *H*: all dimensions (except wall thickness) between points on the cross section of the profile or the centres of open screw holes, including open ends.

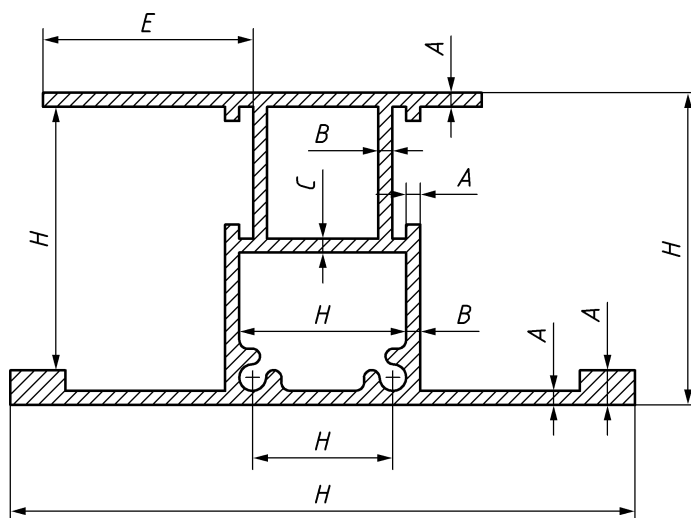


Figure 3 — Definition of dimensions *A*, *B*, *C*, *E*, *H*

SS-EN 12020-2:2016 (E)

3.2.2 Tolerances on dimensions other than wall thickness

The tolerances for dimension H shall be as specified in Table 1.

Table 1 — Tolerances on cross-sectional dimensions

Dimensions in millimetres

Dimension H		Tolerances on H (except open ends)	Tolerances on H (open ends)	
Over	Up to and including		$E \leq 60$	$60 < E \leq 120$ ^a
-	10	$\pm 0,15$	$\pm 0,15$	b
10	15	$\pm 0,20$	$\pm 0,20$	b
15	30	$\pm 0,25$	$\pm 0,25$	b
30	45	$\pm 0,30$	$\pm 0,30$	$\pm 0,45$
45	60	$\pm 0,40$	$\pm 0,40$	$\pm 0,55$
60	90	$\pm 0,45$	$\pm 0,45$	$\pm 0,65$
90	120	$\pm 0,60$	$\pm 0,60$	$\pm 0,80$
120	150	$\pm 0,80$	$\pm 0,80$	$\pm 1,0$
150	180	$\pm 1,0$	$\pm 1,0$	$\pm 1,3$
180	240	$\pm 1,2$	$\pm 1,2$	$\pm 1,5$
240	300	$\pm 1,5$	$\pm 1,5$	$\pm 1,8$
300	350	$\pm 1,8$	$\pm 1,8$	$\pm 2,1$

NOTE Tolerances given in Table 1 do not cover dimensions from a given point inside a closed hollow chamber to any other point outside the chamber.

^a Tolerances for values of dimension E over 120 mm shall be subject to agreement between supplier and purchaser.

^b Shall be subject to agreement between purchaser and supplier.

3.2.3 Tolerances on wall thickness of solid and hollow profiles

The tolerances on wall thickness (see Figure 3) of solid and hollow profiles shall be as specified in Table 2.

Table 2 — Tolerances on wall thickness of solid and hollow profiles

Dimensions in millimetres

Nominal wall thickness <i>A, B</i> or <i>C</i>		Tolerances on:			
		Wall thickness <i>A</i>		Wall thickness <i>B</i> and <i>C</i>	
Over	Up to and including	Circumscribing circle $CD \leq 100$	Circumscribing circle $100 < CD \leq 350$	Circumscribing circle $CD \leq 100$	Circumscribing circle $100 < CD \leq 350$
-	2	±0,15	±0,20	±0,20	±0,30
2	3	±0,15	±0,25	±0,25	±0,40
3	6	±0,20	±0,30	±0,40	±0,60
6	10	±0,25	±0,35	±0,60	±0,80
10	15	±0,30	±0,40	±0,80	±1,0
15	20	±0,35	±0,45	±1,2	±1,5
20	30	±0,40	±0,50	a	a
30	40	±0,45	±0,60	a	a

^a Shall be subject to agreement between supplier and purchaser.

When, for functional reasons, tolerances are specified for both the outside and inside dimensions of hollow sections, then the deviations given in Table 2 shall not apply as a wall thickness tolerance, but as a tolerance on the difference in wall thickness. This difference shall be determined by measuring the maximum and minimum wall thickness in the same plane.

3.3 Length

If fixed lengths are to be supplied, this shall be stated on the order. The fixed length tolerances shall be as specified in Table 3.

Table 3 — Tolerances on fixed length

Dimensions in millimetres

Circumscribing circle <i>CD</i>		Tolerances on fixed length <i>L</i>			
Over	Up to and including	$L \leq 2\,000$	$2\,000 < L \leq 5\,000$	$5\,000 < L \leq 10\,000$	$L > 10\,000$
-	100	+5 0	+7 0	+10 0	Subject to agreement between supplier and purchaser
100	200	+7 0	+9 0	+12 0	
200	350	+8 0	+11 0	+14 0	

If no fixed or minimum length is specified in the order, profiles may be delivered in random lengths. The length range and the tolerances on the random lengths shall be subject to agreement between supplier and purchaser.