

SVENSK STANDARD

SS-ISO 18300:2016

Fastställt/Approved: 2016-11-22
Publicerad/Published: 2016-11-28
Utgåva/Edition: 1
Språk/Language: engelska/English
ICS: 43.120

**Eldrivna vägfordon – Specifikationer för litium-jon batterisystem
kombinerade med blybatteri eller kondensator
(ISO 18300:2016, IDT)**

**Electrically propelled vehicles – Test specifications for lithium-
ion battery systems combined with lead acid battery or capacitor
(ISO 18300:2016, IDT)**

This preview is downloaded from www.sis.se. Buy the entire standard via <https://www.sis.se/std-8023715>

Standarder får världen att fungera

SIS (Swedish Standards Institute) är en fristående ideell förening med medlemmar från både privat och offentlig sektor. Vi är en del av det europeiska och globala nätverk som utarbetar internationella standarder. Standarder är dokumenterad kunskap utvecklad av framstående aktörer inom industri, näringsliv och samhälle och befrämjar handel över gränser, bidrar till att processer och produkter blir säkrare samt effektiviserar din verksamhet.

Delta och påverka

Som medlem i SIS har du möjlighet att påverka framtida standarder inom ditt område på nationell, europeisk och global nivå. Du får samtidigt tillgång till tidig information om utvecklingen inom din bransch.

Ta del av det färdiga arbetet

Vi erbjuder våra kunder allt som rör standarder och deras tillämpning. Hos oss kan du köpa alla publikationer du behöver – allt från enskilda standarder, tekniska rapporter och standardpaket till handböcker och onlinetjänster. Genom vår webbtjänst e-nav får du tillgång till ett lättnavigerat bibliotek där alla standarder som är aktuella för ditt företag finns tillgängliga. Standarder och handböcker är källor till kunskap. Vi säljer dem.

Utveckla din kompetens och lyckas bättre i ditt arbete

Hos SIS kan du gå öppna eller företagsinterna utbildningar kring innehåll och tillämpning av standarder. Genom vår närhet till den internationella utvecklingen och ISO får du rätt kunskap i rätt tid, direkt från källan. Med vår kunskap om standarders möjligheter hjälper vi våra kunder att skapa verklig nytta och lönsamhet i sina verksamheter.

Vill du veta mer om SIS eller hur standarder kan effektivisera din verksamhet är du välkommen in på www.sis.se eller ta kontakt med oss på tel 08-555 523 00.



Standards make the world go round

SIS (Swedish Standards Institute) is an independent non-profit organisation with members from both the private and public sectors. We are part of the European and global network that draws up international standards. Standards consist of documented knowledge developed by prominent actors within the industry, business world and society. They promote cross-border trade, they help to make processes and products safer and they streamline your organisation.

Take part and have influence

As a member of SIS you will have the possibility to participate in standardization activities on national, European and global level. The membership in SIS will give you the opportunity to influence future standards and gain access to early stage information about developments within your field.

Get to know the finished work

We offer our customers everything in connection with standards and their application. You can purchase all the publications you need from us - everything from individual standards, technical reports and standard packages through to manuals and online services. Our web service e-nav gives you access to an easy-to-navigate library where all standards that are relevant to your company are available. Standards and manuals are sources of knowledge. We sell them.

Increase understanding and improve perception

With SIS you can undergo either shared or in-house training in the content and application of standards. Thanks to our proximity to international development and ISO you receive the right knowledge at the right time, direct from the source. With our knowledge about the potential of standards, we assist our customers in creating tangible benefit and profitability in their organisations.

If you want to know more about SIS, or how standards can streamline your organisation, please visit www.sis.se or contact us on phone +46 (0)8-555 523 00



Den internationella standarden ISO 18300:2016 gäller som svensk standard. Detta dokument innehåller den officiella engelska versionen av ISO 18300:2016.

The International Standard ISO 18300:2016 has the status of a Swedish Standard. This document contains the official English version of ISO 18300:2016.

© Copyright/Upphovsrätten till denna produkt tillhör SIS, Swedish Standards Institute, Stockholm, Sverige. Användningen av denna produkt regleras av slutanvändarlicensen som återfinns i denna produkt, se standardens sista sidor.

© Copyright SIS, Swedish Standards Institute, Stockholm, Sweden. All rights reserved. The use of this product is governed by the end-user licence for this product. You will find the licence in the end of this document.

Upplysningar om sakinnehållet i standarden lämnas av SIS, Swedish Standards Institute, telefon 08-555 520 00. Standarder kan beställas hos SIS Förlag AB som även lämnar allmänna upplysningar om svensk och utländsk standard.

Information about the content of the standard is available from the Swedish Standards Institute (SIS), telephone +46 8 555 520 00. Standards may be ordered from SIS Förlag AB, who can also provide general information about Swedish and foreign standards.

Denna standard är framtagen av kommittén för EI- och hybridfordon, SIS/TK 517.

Har du synpunkter på innehållet i den här standarden, vill du delta i ett kommande revideringsarbete eller vara med och ta fram andra standarder inom området? Gå in på www.sis.se - där hittar du mer information.

Contents

Page

Foreword	iv
Introduction	v
1 Scope	1
2 Normative references	1
3 Terms and definitions	1
4 Abbreviated terms	3
5 Type of connection with lithium-ion battery system	3
5.1 Lithium-ion battery pack or system combined with lead acid battery (LIPB).....	3
5.2 Lithium-ion battery pack or system combined with electric double layer capacitor energy storage system (LICA).....	3
6 General requirements	4
7 Test for LIPB	5
7.1 Pre-conditioning.....	5
7.1.1 Purpose.....	5
7.1.2 Procedure.....	5
7.2 Rated capacity.....	5
7.2.1 Purpose.....	5
7.2.2 Procedure.....	5
7.3 Micro-cycle test.....	6
7.3.1 Purpose.....	6
7.3.2 Micro-cycle without regenerative charging.....	6
7.3.3 Micro-cycle with regenerative charging.....	7
7.4 Cycle life test.....	9
7.4.1 Purpose.....	9
7.4.2 Procedure.....	9
7.4.3 Requirement.....	9
8 Tests for LICA	9
8.1 Pre-conditioning.....	9
8.1.1 Purpose.....	9
8.1.2 Procedure.....	9
8.2 Micro-cycle with regenerative test.....	10
8.2.1 Purpose.....	10
8.2.2 Procedure.....	10
8.3 Cold cranking power.....	10
8.3.1 Purpose.....	10
8.3.2 Procedure.....	10
8.3.3 Requirement.....	11
Annex A (informative) LICA and LIPB	12
Bibliography	15

Foreword

ISO (the International Organization for Standardization) is a worldwide federation of national standards bodies (ISO member bodies). The work of preparing International Standards is normally carried out through ISO technical committees. Each member body interested in a subject for which a technical committee has been established has the right to be represented on that committee. International organizations, governmental and non-governmental, in liaison with ISO, also take part in the work. ISO collaborates closely with the International Electrotechnical Commission (IEC) on all matters of electrotechnical standardization.

The procedures used to develop this document and those intended for its further maintenance are described in the ISO/IEC Directives, Part 1. In particular the different approval criteria needed for the different types of ISO documents should be noted. This document was drafted in accordance with the editorial rules of the ISO/IEC Directives, Part 2 (see www.iso.org/directives).

Attention is drawn to the possibility that some of the elements of this document may be the subject of patent rights. ISO shall not be held responsible for identifying any or all such patent rights. Details of any patent rights identified during the development of the document will be in the Introduction and/or on the ISO list of patent declarations received (see www.iso.org/patents).

Any trade name used in this document is information given for the convenience of users and does not constitute an endorsement.

For an explanation on the meaning of ISO specific terms and expressions related to conformity assessment, as well as information about ISO's adherence to the World Trade Organization (WTO) principles in the Technical Barriers to Trade (TBT) see the following URL: www.iso.org/iso/foreword.html.

The committee responsible for this document is ISO/TC 22, *Road vehicles*, Subcommittee SC 37, *Electrically propelled vehicles*.

Introduction

High-performance on-board electric energy storage is the main obstacle in developing electric vehicles available at more affordable prices. In order to ensure high efficiency and good motion properties, there are many requirements imposed on electrical energy storage sources, such as high power and energy density, long cycle and calendar life, reliability, wide temperature range and no emission of pollutants. The most common energy storages/sources in electric vehicles are electrochemical batteries and electric double layer capacitor. However, installing only one type of energy storage/source could be insufficient to complement each single type drawbacks. Hybridization of the source enables to solve some key problems encountered in electric vehicles such as regenerative braking, while the main source of energy is lithium-ion battery.

Today's hybrid electrical vehicles (HEVs), for example, use rechargeable batteries with gasoline-powered engines to provide power to a vehicle. This system uses the battery as a power buffer to support the engine in order to achieve greater gas mileage. While using a battery in an HEV by itself, the battery is subjected to changes in the amount of power it generates and receives from the load. Since most rechargeable batteries have low-power densities, their life spans are reduced by constant erratic oscillation in demand. A solution to this problem can be dual battery system or two batteries system or combined system with electric double layer capacitor. By using additional energy storage systems, battery performance improvement can be achieved.

The hybrid lithium-ion battery system can supplement the traditional 12V electrical network with a 48V electrical system and components, bridging the gap between low-end hybridization based on present-day 12V start-stop systems. Many hybrids sold will be expected microhybrids, those using start-stop and brake regeneration technologies that operate either with the existing 12V vehicle electric system or with a combined 12V and 48V dual battery/dual voltage electric system. These relatively inexpensive start-stops can provide limited hybrid power assist on launching and also for energy regeneration during braking.

The purpose of this document is the description of such a voltage class A electric system.

Electrically propelled vehicles — Test specifications for lithium-ion battery systems combined with lead acid battery or capacitor

1 Scope

This document specifies the lithium-ion battery systems combined with lead acid battery or electric double layer capacitor to be used for automotive applications in voltage class A systems. document applies only to combinations of such electric energy storages that are integrated in a common housing.

It specifies configurations, test procedures, and requirements for such combinations.

2 Normative references

The following documents, in whole or in part, are normatively referenced in this document and are indispensable for its application. For dated references, only the edition cited applies. For undated references, the latest edition of the referenced document (including any amendments) applies.

There are no normative references in this document.

3 Terms and definitions

For the purposes of this document, the terms and definitions given in ISO/TR 8713 and the following apply.

ISO and IEC maintain terminological databases for use in standardization at the following addresses:

— IEC Electropedia: available at <http://www.electropedia.org/>

— ISO Online browsing platform: available at <http://www.iso.org/obp>

3.1

assistance battery

battery that temporarily supports the main battery

3.2

assistance capacitor

electric double layer capacitor energy storage system that temporarily supports the role of the main battery

3.3

battery

one or more cells fitted with devices necessary for use, for example, case, terminals, marking and protective devices

3.4

battery control unit

BCU

electronic device that controls or manages or measures or calculates electric and thermal functions of the battery system and that provides communication between the battery system and other vehicle controllers

SS-ISO 18300:2016 (E)

3.5 capacity

C

total number of ampere-hours that can be withdrawn from a fully charged battery under specified conditions of main battery

3.6 customer

party which is interested to use the battery pack or system and therefore order or perform the test

3.7 device under test

DUT

lithium-ion battery pack or system combined with lead acid battery and capacitor

3.8 electric double layer capacitor

EDLC

device for electrostatic storage of electrical energy achieved by separation of charge in a double layer

3.9 electric double layer capacitor energy storage system

energy storage devices that include capacitors or capacitor assemblies or capacitor packs as well as electrical circuits and electronics

3.10 lithium-ion cell

secondary single cell whose electrical energy is derived from the insertion/extraction reactions of lithium ions between the anode and the cathode

Note 1 to entry: The secondary cell is a basic manufactured unit providing a source of electrical energy by direct conversion of chemical energy. The cell consists of electrodes, separators, electrolyte, container and terminals, and is designed to be charged electrically.

Note 2 to entry: In this document, cell or secondary cell means the secondary lithium-ion cell to be used for the propulsion of electric road vehicles.

3.11 lithium-ion battery pack

battery pack

energy storage device that includes cells or cell assemblies normally connected with cell electronics and overcurrent shut-off device including electrical interconnections and interfaces for external systems

Note 1 to entry: Examples for interfaces are cooling, high voltage, auxiliary low voltage and communication.

3.12 lithium-ion battery system

battery system

energy storage device that includes cells or cell assemblies or battery pack(s) as well as electrical circuits and electronics

EXAMPLE BCU, contactors.

3.13 main battery

lithium-ion battery pack or system that mainly supplies electrical energy continuously

3.14 room temperature

RT

temperature of (25 ± 2) °C

3.15

micro-cycle

charge and discharge cycle within 60 s

4 Abbreviated terms

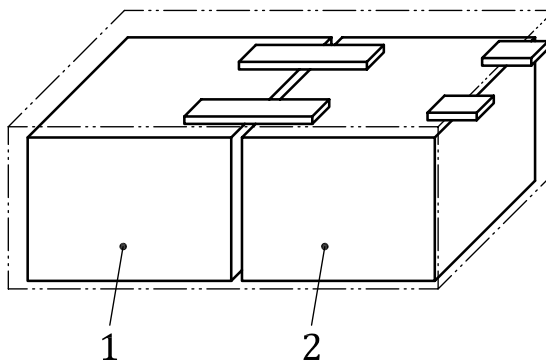
LICA Lithium-ion battery pack or system combined with electric double layer capacitor

LIPB Lithium-ion battery pack or system combined with lead acid battery

5 Type of connection with lithium-ion battery system

5.1 Lithium-ion battery pack or system combined with lead acid battery (LIPB)

The lithium-ion battery pack or system combined with lead acid battery (LIPB) is composed of the lithium-ion battery pack or system as main battery and the lead acid battery as assistance battery. The main battery and the assistance battery are connected by mechanical and electrical connecting bars as shown in [Figure 1](#). See also [Annex A](#) including [Figures A.2, A.3, and A.4](#) for more detailed information.



Key

- 1 main battery (lithium-ion battery system)
- 2 assistance battery (lead acid battery)

NOTE There are several connection methods possible; the display in this Figure is only schematically.

Figure 1 — Type of configuration of LIPB

5.2 Lithium-ion battery pack or system combined with electric double layer capacitor energy storage system (LICA)

The lithium-ion battery pack or system combined with electric double layer capacitor energy storage system (LICA) is composed of the lithium-ion battery pack or system as main battery and the electric double layer capacitor energy storage system as assistance capacitor. The main battery and the assistance capacitor are connected by mechanical and electrical connecting bars as shown in [Figure 2](#). See also [Annex A](#) for more information.