

SVENSK STANDARD

SS-EN 12566-3:2016



Fastställt/Approved: 2016-09-08
Publicerad/Published: 2016-09-12
Utgåva/Edition: 2
Språk/Language: engelska/English
ICS: 13.060.30

Avlopp – Reningsanläggning upp till 50 pe – Del 3: Förtillverkade avloppsanläggningar

Small wastewater treatment systems for up to 50 PT – Part 3: Packaged and/or site assembled domestic wastewater treatment plants

This preview is downloaded from www.sis.se. Buy the entire standard via <https://www.sis.se/std-8022324>

Standarder får världen att fungera

SIS (Swedish Standards Institute) är en fristående ideell förening med medlemmar från både privat och offentlig sektor. Vi är en del av det europeiska och globala nätverk som utarbetar internationella standarder. Standarder är dokumenterad kunskap utvecklad av framstående aktörer inom industri, näringsliv och samhälle och befrämjar handel över gränser, bidrar till att processer och produkter blir säkrare samt effektiviserar din verksamhet.

Delta och påverka

Som medlem i SIS har du möjlighet att påverka framtida standarder inom ditt område på nationell, europeisk och global nivå. Du får samtidigt tillgång till tidig information om utvecklingen inom din bransch.

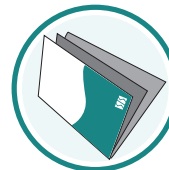
Ta del av det färdiga arbetet

Vi erbjuder våra kunder allt som rör standarder och deras tillämpning. Hos oss kan du köpa alla publikationer du behöver – allt från enskilda standarder, tekniska rapporter och standardpaket till handböcker och onlinetjänster. Genom vår webbtjänst e-nav får du tillgång till ett lättnavigerat bibliotek där alla standarder som är aktuella för ditt företag finns tillgängliga. Standarder och handböcker är källor till kunskap. Vi säljer dem.

Utveckla din kompetens och lyckas bättre i ditt arbete

Hos SIS kan du gå öppna eller företagsinterna utbildningar kring innehåll och tillämpning av standarder. Genom vår närhet till den internationella utvecklingen och ISO får du rätt kunskap i rätt tid, direkt från källan. Med vår kunskap om standarders möjligheter hjälper vi våra kunder att skapa verklig nytta och lönsamhet i sina verksamheter.

Vill du veta mer om SIS eller hur standarder kan effektivisera din verksamhet är du välkommen in på www.sis.se eller ta kontakt med oss på tel 08-555 523 00.



Standards make the world go round

SIS (Swedish Standards Institute) is an independent non-profit organisation with members from both the private and public sectors. We are part of the European and global network that draws up international standards. Standards consist of documented knowledge developed by prominent actors within the industry, business world and society. They promote cross-border trade, they help to make processes and products safer and they streamline your organisation.

Take part and have influence

As a member of SIS you will have the possibility to participate in standardization activities on national, European and global level. The membership in SIS will give you the opportunity to influence future standards and gain access to early stage information about developments within your field.

Get to know the finished work

We offer our customers everything in connection with standards and their application. You can purchase all the publications you need from us - everything from individual standards, technical reports and standard packages through to manuals and online services. Our web service e-nav gives you access to an easy-to-navigate library where all standards that are relevant to your company are available. Standards and manuals are sources of knowledge. We sell them.

Increase understanding and improve perception

With SIS you can undergo either shared or in-house training in the content and application of standards. Thanks to our proximity to international development and ISO you receive the right knowledge at the right time, direct from the source. With our knowledge about the potential of standards, we assist our customers in creating tangible benefit and profitability in their organisations.

If you want to know more about SIS, or how standards can streamline your organisation, please visit www.sis.se or contact us on phone +46 (0)8-555 523 00



Europastandarden EN 12566-3:2016 gäller som svensk standard. Detta dokument innehåller den officiella engelska versionen av EN 12566-3:2016.

Denna standard ersätter SS-EN 12566-3:2005+A2:2013, utgåva 1.

The European Standard EN 12566-3:2016 has the status of a Swedish Standard. This document contains the official English version of EN 12566-3:2016.

This standard supersedes the Swedish Standard SS-EN 12566-3:2005+A2:2013, edition 1.

© Copyright/Upphovsrätten till denna produkt tillhör SIS, Swedish Standards Institute, Stockholm, Sverige. Användningen av denna produkt regleras av slutanvändarlicensen som återfinns i denna produkt, se standardens sista sidor.

© Copyright SIS, Swedish Standards Institute, Stockholm, Sweden. All rights reserved. The use of this product is governed by the end-user licence for this product. You will find the licence in the end of this document.

Upplysningar om sakinnehållet i standarden lämnas av SIS, Swedish Standards Institute, telefon 08-555 520 00. Standarder kan beställas hos SIS Förlag AB som även lämnar allmänna upplysningar om svensk och utländsk standard.

Information about the content of the standard is available from the Swedish Standards Institute (SIS), telephone +46 8 555 520 00. Standards may be ordered from SIS Förlag AB, who can also provide general information about Swedish and foreign standards.

Denna standard är framtagen av kommittén för Avloppsteknik, SIS/TK 198/AG 165.

Har du synpunkter på innehållet i den här standarden, vill du delta i ett kommande revideringsarbete eller vara med och ta fram andra standarder inom området? Gå in på www.sis.se - där hittar du mer information.

EUROPEAN STANDARD

EN 12566-3

NORME EUROPÉENNE

EUROPÄISCHE NORM

August 2016

ICS 13.060.30

Supersedes EN 12566-3:2005+A2:2013

English Version

Small wastewater treatment systems for up to 50 PT - Part 3: Packaged and/or site assembled domestic wastewater treatment plants

Petites installations de traitement des eaux usées
jusqu'à 50 PTE - Partie 3: Stations d'épuration des eaux
usées domestiques fabriquées en usine et/ou
assemblées sur site

Kleinkläranlagen für bis zu 50 EW - Teil 3:
Vorgefertigte und/oder vor Ort montierte Anlagen zur
Behandlung von häuslichem Schmutzwasser

This European Standard was approved by CEN on 25 June 2016.

CEN members are bound to comply with the CEN/CENELEC Internal Regulations which stipulate the conditions for giving this European Standard the status of a national standard without any alteration. Up-to-date lists and bibliographical references concerning such national standards may be obtained on application to the CEN-CENELEC Management Centre or to any CEN member.

This European Standard exists in three official versions (English, French, German). A version in any other language made by translation under the responsibility of a CEN member into its own language and notified to the CEN-CENELEC Management Centre has the same status as the official versions.

CEN members are the national standards bodies of Austria, Belgium, Bulgaria, Croatia, Cyprus, Czech Republic, Denmark, Estonia, Finland, Former Yugoslav Republic of Macedonia, France, Germany, Greece, Hungary, Iceland, Ireland, Italy, Latvia, Lithuania, Luxembourg, Malta, Netherlands, Norway, Poland, Portugal, Romania, Slovakia, Slovenia, Spain, Sweden, Switzerland, Turkey and United Kingdom.



EUROPEAN COMMITTEE FOR STANDARDIZATION
COMITÉ EUROPÉEN DE NORMALISATION
EUROPÄISCHES KOMITEE FÜR NORMUNG

CEN-CENELEC Management Centre: Avenue Marnix 17, B-1000 Brussels

Contents	Page
European foreword.....	6
1 Scope	8
2 Normative references	8
3 Terms, definitions, symbols and abbreviated terms	9
3.1 Terms and definitions	9
3.2 Symbols and abbreviated terms	10
4 Product characteristics	11
4.1 Design.....	11
4.1.1 General.....	11
4.1.2 Inlets, outlets, internal pipework and connections.....	11
4.1.3 Access	11
4.1.4 Sizing basis	12
4.1.5 Overall dimensions.....	12
4.2 Load bearing capacity.....	12
4.3 Treatment efficiency.....	13
4.4 Watertightness.....	13
4.4.1 General.....	13
4.4.2 Water test.....	13
4.4.3 Vacuum test.....	13
4.4.4 Pneumatic pressure test.....	13
4.5 Durability	14
4.5.1 General.....	14
4.5.2 Concrete.....	14
4.5.3 Steel.....	14
4.5.4 Unplasticized polyvinyl chloride (PVC-U).....	14
4.5.5 Polyethylene (PE).....	14
4.5.6 Glass reinforced plastic (GRP).....	15
4.5.7 Polypropylene (PP)	16
4.5.8 PDCPD.....	16
4.5.9 Flexible sheets.....	17
4.6 Reaction to fire.....	17
4.6.1 General.....	17
4.6.2 Plants classified as Class A1 without the need for testing.....	17
4.6.3 Plants classified according to the test results.....	18
4.7 Power consumption	18
4.8 Dangerous substances.....	18
5 Testing, assessment and sampling methods	19
5.1 Load bearing capacity.....	19
5.1.1 Generals.....	19
5.1.2 Load bearing capacity determined by calculation.....	19
5.1.3 Load bearing capacity determined by testing	20
5.2 Treatment efficiency.....	22
5.3 Watertightness.....	23
6 Assessment and verification of constancy of performance – AVCP	23
6.1 General.....	23

6.2	Type testing	23
6.2.1	General	23
6.2.2	Test samples, testing and compliance criteria.....	24
6.2.3	Test reports	26
6.2.4	Shared other party results	26
6.2.5	Cascading determination of the product type results	26
6.3	Factory production control	27
6.3.1	General	27
6.3.2	Requirements.....	28
6.3.3	Product specific requirements	31
6.3.4	Initial inspection of factory and of FPC.....	31
6.3.5	Continuous surveillance of FPC	32
6.3.6	Procedure for modifications.....	32
6.3.7	One-off products, pre-production products (e.g. prototypes) and products produced in very low quantity	32
7	Classification and designation (Nominal designation)	33
8	Marking, labelling and packaging.....	33
8.1	Marking	33
8.2	Installation instructions.....	33
8.3	Operation and maintenance instructions.....	34
Annex A (normative) Watertightness test		35
A.1	Selection of test	35
A.2	Water test.....	35
A.2.1	Sample	35
A.2.2	Procedure	35
A.2.3	Expression of results	36
A.3	Air permeability vacuum test.....	36
A.3.1	Sample	36
A.3.2	Procedure	36
A.3.3	Expression of results	36
A.4	Pneumatic pressure test	37
A.4.1	Sample	37
A.4.2	Procedure	37
A.4.3	Expression of results	37
Annex B (normative) Treatment efficiency test procedure		38
B.1	Responsibility and testing location.....	38
B.2	Plant selection and preliminary evaluation	38
B.2.1	General	38
B.2.2	Installation and commissioning	38
B.2.3	Operation and maintenance procedures during testing.....	38
B.2.4	Data to be monitored.....	38
B.3	Test procedure	39

B.3.1	Time for establishment	39
B.3.2	Influent characteristics	39
B.3.3	Daily flow pattern for testing	40
B.3.4	Test procedure	40
B.3.4.1	General	40
B.3.4.2	Overload	42
B.3.4.3	Peak flow discharge	42
B.3.4.4	Power breakdown / machine breakdown	42
B.3.5	Influent and effluent samplings	42
B.4	Sample analysis	43
B.5	Test report	43
	Annex C (normative) Test methods for structural behaviour	44
C.1	General	44
C.2	Crushing test for concrete plant	44
C.2.1	Crushing test methods	44
C.2.2	Crushing test procedures	45
C.2.2.1	Type A test (vertical load)	45
C.2.2.1.1	Sample	45
C.2.2.1.2	Procedure	45
C.2.2.1.3	Expression of results	45
C.2.2.2	Type B test (horizontal load)	46
C.2.2.2.1	Sample	46
C.2.2.2.2	Procedure	46
C.2.2.2.3	Expression of results	46
C.2.2.3	Type C test (vertical load)	46
C.2.2.3.1	Sample	46
C.2.2.3.2	Procedure	47
C.2.2.3.3	Expression of results	47
C.3	Vertical load test for PE, PP and PDCPD plant	47
C.3.1	Sample	47
C.3.2	Procedure	47
C.3.3	Expression of results	48
C.4	Vacuum test for GRP plants	48
C.5	Pit test	49
C.5.1	Sample	49
C.5.2	Procedure	49

C.5.3	Expression of results	50
Annex D (normative)	Mechanical characteristics used for structural behaviour calculation.....	51
D.1	Concrete	51
D.2	GRP	51
D.3	PVC-U.....	51
D.4	PE and PP	51
D.5	Steel	51
Annex E (informative)	Analysis method.....	52
Annex ZA (informative)	Clauses of this European Standard addressing the provisions of the EU Construction Products Regulation	53
ZA.1	Scope and relevant characteristics	53
ZA.2	Procedure of attestation of conformity of packaged and/or site assembled domestic wastewater treatment plants.....	55
ZA.2.1	System(s) of AVCP.....	55
ZA.2.2	Declaration of performance (DoP).....	57
ZA.2.2.1	General	57
ZA.2.2.2	Content	57
ZA.2.2.3	Example of DoP	58
ZA.3	CE marking and labelling.....	60
Bibliography	63

European foreword

This document (EN 12566-3:2016) has been prepared by Technical Committee CEN/TC 165 “Waste water engineering”, the secretariat of which is held by DIN.

This European Standard shall be given the status of a national standard, either by publication of an identical text or by endorsement, at the latest by February 2017, and conflicting national standards shall be withdrawn at the latest by May 2018.

Attention is drawn to the possibility that some of the elements of this document may be the subject of patent rights. CEN [and/or CENELEC] shall not be held responsible for identifying any or all such patent rights.

This document supersedes EN 12566-3:2005+A2:2013.

This document has been prepared under a mandate given to CEN by the European Commission and the European Free Trade Association, and supports essential requirements of EU Directive(s).

For relationship with EU Directive(s), see informative Annex ZA, which is an integral part of this document.

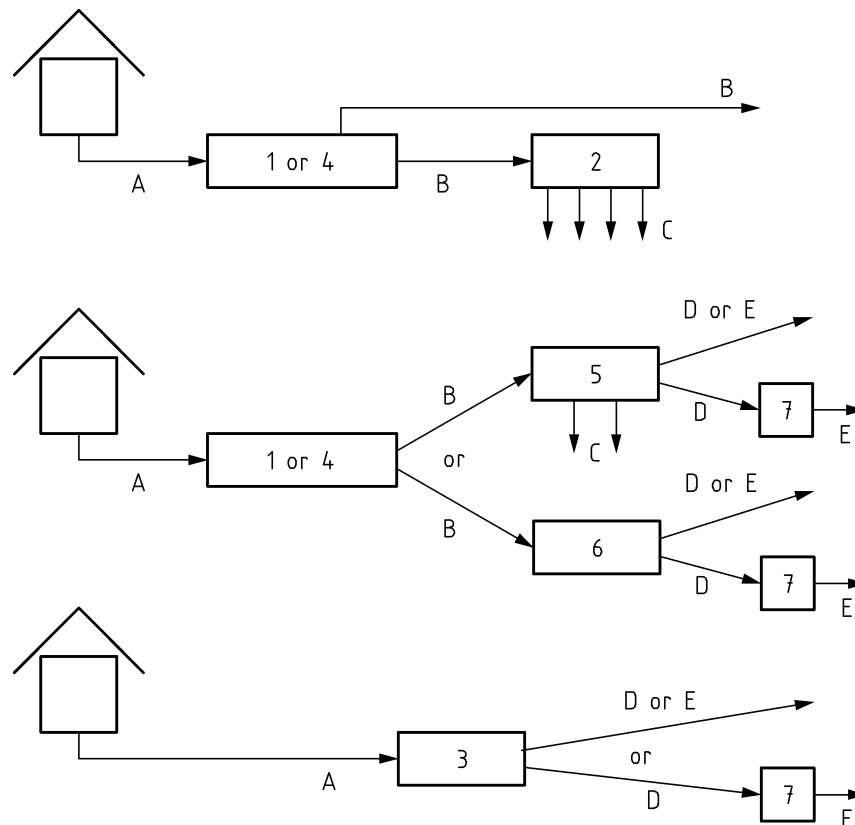
The differences between this version and EN 12566-3:2005+A2:2013 are mainly editorial changes according to the Construction Product Regulation (CPR) and declaration of power consumption and desludging during treatment efficiency test.

The standard series EN 12566 “Small wastewater treatment systems for up to 50 PT” contains the following parts (see Figure 1):

- *Part 1: Prefabricated septic tanks;*
- *Part 3: Packaged and/or site assembled domestic wastewater treatment plants (this document);*
- *Part 4: Septic tanks assembled in situ from prefabricated kits;*
- *Part 6: Prefabricated treatment unit used for septic tank effluent;*
- *Part 7: Prefabricated tertiary treatment unit*

For filtration systems, CEN/TC 165 decided to publish the following CEN Technical reports, which are considered as Code of practices and do not specify treatment requirements:

- *Part 2: Soil infiltration systems*
- *Part 5: Pre-treated Effluent Filtration systems*



Key

A	domestic wastewater	1	prefabricated septic tank
B	septic tank effluent	2	soil infiltration system
C	treated infiltrated effluent	3	packaged and/or site assembled domestic wastewater treatment plant
D	treated wastewater	4	septic tank assembled <i>in situ</i> from prefabricated kit
E	tertiary treated wastewater	5	pre-treated effluent filtration system
		6	prefabricated treatment unit used for septic tank effluent
		7	prefabricated tertiary treatment unit

National regulations may specify different arrangements between the products described in the standard series EN 12566.

Figure 1 — Scheme related to the arrangement of the parts of EN 12566

According to the CEN/CENELEC Internal Regulations, the national standards organizations of the following countries are bound to implement this European Standard: Austria, Belgium, Bulgaria, Croatia, Cyprus, Czech Republic, Denmark, Estonia, Finland, Former Yugoslav Republic of Macedonia, France, Germany, Greece, Hungary, Iceland, Ireland, Italy, Latvia, Lithuania, Luxembourg, Malta, Netherlands, Norway, Poland, Portugal, Romania, Slovakia, Slovenia, Spain, Sweden, Switzerland, Turkey and the United Kingdom.