

SVENSK STANDARD

SS-EN 12566-1:2016

Fastställt/Approved: 2016-09-08
Publicerad/Published: 2016-09-12
Utgåva/Edition: 2
Språk/Language: engelska/English
ICS: 13.060.30

Avlopp – Reningsanläggning upp till 50 pe – Del 1: Fabrikstillverkade slamavskiljare

Small wastewater treatment systems for up to 50 PT – Part 1: Prefabricated septic tanks

This preview is downloaded from www.sis.se. Buy the entire standard via <https://www.sis.se/std-8022323>

Standarder får världen att fungera

SIS (Swedish Standards Institute) är en fristående ideell förening med medlemmar från både privat och offentlig sektor. Vi är en del av det europeiska och globala nätverk som utarbetar internationella standarder. Standarder är dokumenterad kunskap utvecklad av framstående aktörer inom industri, näringsliv och samhälle och befrämjar handel över gränser, bidrar till att processer och produkter blir säkrare samt effektiviserar din verksamhet.

Delta och påverka

Som medlem i SIS har du möjlighet att påverka framtida standarder inom ditt område på nationell, europeisk och global nivå. Du får samtidigt tillgång till tidig information om utvecklingen inom din bransch.

Ta del av det färdiga arbetet

Vi erbjuder våra kunder allt som rör standarder och deras tillämpning. Hos oss kan du köpa alla publikationer du behöver – allt från enskilda standarder, tekniska rapporter och standardpaket till handböcker och onlinetjänster. Genom vår webbtjänst e-nav får du tillgång till ett lättnavigerat bibliotek där alla standarder som är aktuella för ditt företag finns tillgängliga. Standarder och handböcker är källor till kunskap. Vi säljer dem.

Utveckla din kompetens och lyckas bättre i ditt arbete

Hos SIS kan du gå öppna eller företagsinterna utbildningar kring innehåll och tillämpning av standarder. Genom vår närhet till den internationella utvecklingen och ISO får du rätt kunskap i rätt tid, direkt från källan. Med vår kunskap om standarders möjligheter hjälper vi våra kunder att skapa verklig nytta och lönsamhet i sina verksamheter.

Vill du veta mer om SIS eller hur standarder kan effektivisera din verksamhet är du välkommen in på www.sis.se eller ta kontakt med oss på tel 08-555 523 00.



Standards make the world go round

SIS (Swedish Standards Institute) is an independent non-profit organisation with members from both the private and public sectors. We are part of the European and global network that draws up international standards. Standards consist of documented knowledge developed by prominent actors within the industry, business world and society. They promote cross-border trade, they help to make processes and products safer and they streamline your organisation.

Take part and have influence

As a member of SIS you will have the possibility to participate in standardization activities on national, European and global level. The membership in SIS will give you the opportunity to influence future standards and gain access to early stage information about developments within your field.

Get to know the finished work

We offer our customers everything in connection with standards and their application. You can purchase all the publications you need from us - everything from individual standards, technical reports and standard packages through to manuals and online services. Our web service e-nav gives you access to an easy-to-navigate library where all standards that are relevant to your company are available. Standards and manuals are sources of knowledge. We sell them.

Increase understanding and improve perception

With SIS you can undergo either shared or in-house training in the content and application of standards. Thanks to our proximity to international development and ISO you receive the right knowledge at the right time, direct from the source. With our knowledge about the potential of standards, we assist our customers in creating tangible benefit and profitability in their organisations.

If you want to know more about SIS, or how standards can streamline your organisation, please visit www.sis.se or contact us on phone +46 (0)8-555 523 00



Europastandarden EN 12566-1:2016 gäller som svensk standard. Detta dokument innehåller den officiella engelska versionen av EN 12566-1:2016.

Denna standard ersätter SS-EN 12566-1, utgåva 1 och SS-EN 12566-1/A1:2004, utgåva 1.

The European Standard EN 12566-1:2016 has the status of a Swedish Standard. This document contains the official English version of EN 12566-1:2016.

This standard supersedes the Swedish Standard SS-EN 12566-1, edition 1 and SS-EN 12566-1/A1:2004, edition 1.

© Copyright/Upphovsrätten till denna produkt tillhör SIS, Swedish Standards Institute, Stockholm, Sverige. Användningen av denna produkt regleras av slutanvändarlicensen som återfinns i denna produkt, se standardens sista sidor.

© Copyright SIS, Swedish Standards Institute, Stockholm, Sweden. All rights reserved. The use of this product is governed by the end-user licence for this product. You will find the licence in the end of this document.

Upplysningar om sakinnehållet i standarden lämnas av SIS, Swedish Standards Institute, telefon 08-555 520 00. Standarder kan beställas hos SIS Förlag AB som även lämnar allmänna upplysningar om svensk och utländsk standard.

Information about the content of the standard is available from the Swedish Standards Institute (SIS), telephone +46 8 555 520 00. Standards may be ordered from SIS Förlag AB, who can also provide general information about Swedish and foreign standards.

Denna standard är framtagen av kommittén för Avloppsteknik, SIS/TK 198/AG 165.

Har du synpunkter på innehållet i den här standarden, vill du delta i ett kommande revideringsarbete eller vara med och ta fram andra standarder inom området? Gå in på www.sis.se - där hittar du mer information.

EUROPEAN STANDARD

EN 12566-1

NORME EUROPÉENNE

EUROPÄISCHE NORM

August 2016

ICS 13.060.30

Supersedes EN 12566-1:2000

English Version

Small wastewater treatment systems for up to 50 PT - Part 1: Prefabricated septic tanks

Petites installations de traitement des eaux usées
jusqu'à 50 PTE - Partie 1: Fosses septiques
préfabriquées

Kleinkläranlagen für bis zu 50 EW - Teil 1: Werkmäßig
hergestellte Faulgruben

This European Standard was approved by CEN on 25 June 2016.

CEN members are bound to comply with the CEN/CENELEC Internal Regulations which stipulate the conditions for giving this European Standard the status of a national standard without any alteration. Up-to-date lists and bibliographical references concerning such national standards may be obtained on application to the CEN-CENELEC Management Centre or to any CEN member.

This European Standard exists in three official versions (English, French, German). A version in any other language made by translation under the responsibility of a CEN member into its own language and notified to the CEN-CENELEC Management Centre has the same status as the official versions.

CEN members are the national standards bodies of Austria, Belgium, Bulgaria, Croatia, Cyprus, Czech Republic, Denmark, Estonia, Finland, Former Yugoslav Republic of Macedonia, France, Germany, Greece, Hungary, Iceland, Ireland, Italy, Latvia, Lithuania, Luxembourg, Malta, Netherlands, Norway, Poland, Portugal, Romania, Slovakia, Slovenia, Spain, Sweden, Switzerland, Turkey and United Kingdom.



EUROPEAN COMMITTEE FOR STANDARDIZATION
COMITÉ EUROPÉEN DE NORMALISATION
EUROPÄISCHES KOMITEE FÜR NORMUNG

CEN-CENELEC Management Centre: Avenue Marnix 17, B-1000 Brussels

Contents

	Page
European foreword.....	6
1 Scope	8
2 Normative references	8
3 Terms and definitions	8
4 Product characteristics	9
4.1 Dimensions	9
4.1.1 Inlets, outlets and connections.....	9
4.1.2 Ventilation	9
4.1.3 Design Basis	9
4.2 Load bearing capacity.....	9
4.3 Watertightness.....	10
4.3.1 General.....	10
4.3.2 Water test.....	10
4.3.3 Vacuum test.....	10
4.3.4 Pneumatic pressure test.....	10
4.4 Hydraulic efficiency.....	10
4.5 Design.....	10
4.6 Access	10
4.7 Durability	11
4.8 Reaction to fire	11
4.8.1 General.....	11
4.8.2 Septic tank classified as Class A1 without the need for testing	11
4.8.3 Septic tank classified according to the test results	12
4.9 Dangerous substances.....	12
5 Testing, assessment and sampling methods	12
5.1 Load bearing capacity.....	12
5.1.1 General.....	12
5.1.2 Load bearing capacity determined by calculation	13
5.1.3 Load bearing capacity determined by testing	13
5.2 Watertightness.....	15
5.3 Hydraulic efficiency.....	15
6 Assessment and verification of constancy of performance – AVCP.....	16
6.1 General.....	16
6.2 Type testing.....	16
6.2.1 General.....	16
6.2.2 Test samples, testing and compliance criteria	17
6.2.3 Test reports.....	17
6.2.4 Shared other party results.....	17
6.2.5 Cascading determination of the product type results	18
6.3 Factory production control	19
6.3.1 General.....	19
6.3.2 Requirements.....	20
6.3.3 Product specific requirements.....	23
6.3.4 Initial inspection of factory and of FPC	23
6.3.5 Continuous surveillance of FPC.....	24

6.3.6	Procedure for modifications.....	24
6.3.7	One-off products, pre-production products (e.g. prototypes) and products produced in very low quantity.....	24
7	Classification and designation	25
7.1	Classification	25
7.2	Nominal capacity.....	25
8	Marking, labelling and packaging.....	25
8.1	Marking	25
8.2	Installation instructions.....	26
8.3	Operating and maintenance instructions.....	26
Annex A (normative) Watertightness and nominal capacity tests		27
A.1	General	27
A.2	Capacity test.....	27
A.2.1	Sample	27
A.2.2	Procedure	27
A.2.3	Expression of results	27
A.3	Watertightness tests.....	27
A.3.1	Selection of the test.....	27
A.3.2	Water test.....	27
A.3.2.1	Sample	27
A.3.2.2	Procedure	28
A.3.2.3	Expression of results	28
A.3.3	Air permeability vacuum test.....	28
A.3.3.1	Sample	28
A.3.3.2	Procedure	28
A.3.3.3	Expression of results	29
A.3.4	Pneumatic pressure test	29
A.3.4.1	Sample	29
A.3.4.2	Procedure	29
A.3.4.3	Expression of results	30
Annex B (normative) Hydraulic efficiency test.....		31
B.1	General	31
B.2	Experimental apparatus.....	31
B.3	Synthetic materials used for testing	32
B.4	Preparation of test	32
B.5	Test parameters	32
B.6	Procedure	33
B.7	Calculation of test results	33

Annex C (informative) Information for execution.....	34
C.1 Examples for outlet devices.....	34
C.2 Openings in internal walls.....	35
Annex D (normative) Test methods for structural behaviour.....	36
D.1 Selection of test method.....	36
D.2 Concrete septic tank.....	36
D.2.1 Crushing test methods.....	36
D.2.2 Test procedures.....	37
D.2.2.1 Type A test (vertical load).....	37
D.2.2.1.1 Sample.....	37
D.2.2.1.2 Procedure.....	37
D.2.2.1.3 Expression of results.....	37
D.2.2.2 Type B test (horizontal load).....	38
D.2.2.2.1 Sample.....	38
D.2.2.2.2 Procedure.....	38
D.2.2.2.3 Expression of results.....	38
D.2.2.3 Type C test (vertical load).....	39
D.2.2.3.1 Sample.....	39
D.2.2.3.2 Procedure.....	39
D.2.2.3.3 Expression of results.....	39
D.3 Polyethylene septic tank.....	39
D.3.1 General.....	39
D.3.2 Vertical load test.....	39
D.3.2.1 Sample.....	39
D.3.2.2 Procedure.....	40
D.3.2.3 Expression of results.....	40
D.4 Determination of mechanical characteristics of test samples used for calculation.....	40
D.4.1 Concrete.....	40
D.4.2 Glass Reinforced Plastic.....	41
D.5 Vacuum test for Glass Reinforced Plastic or steel septic tank.....	41
D.6 Pit test.....	41
D.6.1 Sample.....	41
D.6.2 Procedure.....	41
D.6.3 Expression of results.....	42
Annex ZA (informative) Clauses of this European Standard addressing the provisions of the EU Construction Products Regulation.....	43
ZA.1 Scope and relevant characteristics.....	43

ZA.2	Procedure of attestation of conformity of prefabricated septic tanks	44
ZA.2.1	System(s) of AVCP	44
ZA.2.2	Declaration of performance (DoP)	47
ZA.2.2.1	General	47
ZA.2.2.2	Content	47
ZA.2.2.3	Example of DoP	48
ZA.3	CE marking and labelling	50
	Bibliography	53

European foreword

This document (EN 12566-1:2016) has been prepared by Technical Committee CEN/TC 165 “Waste water engineering”, the secretariat of which is held by DIN.

This European Standard shall be given the status of a national standard, either by publication of an identical text or by endorsement, at the latest by February 2017, and conflicting national standards shall be withdrawn at the latest by May 2018.

Attention is drawn to the possibility that some of the elements of this document may be the subject of patent rights. CEN [and/or CENELEC] shall not be held responsible for identifying any or all such patent rights.

This document supersedes EN 12566-1:2000.

The differences between this version and EN 12566-1:2000 are mainly editorial changes according to the Construction Product Regulation (CPR).

This document has been prepared under a mandate given to CEN by the European Commission and the European Free Trade Association, and supports essential requirements of EU Directive(s).

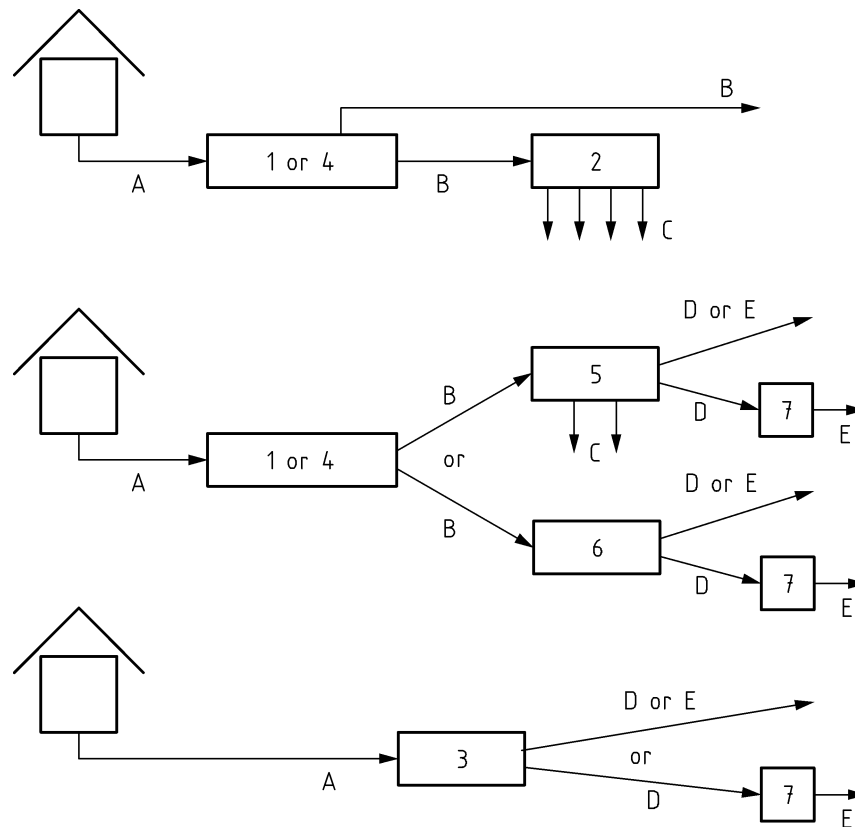
For relationship with EU Directive(s), see informative Annex ZA, which is an integral part of this document.

The standard series EN 12566 “Small wastewater treatment systems for up to 50 PT” contains the following parts (see Figure 1):

- *Part 1: Prefabricated septic tank (this document);*
- *Part 3: Packaged and/or site assembled domestic wastewater treatment plants;*
- *Part 4: Septic tanks assembled in situ from prefabricated kits;*
- *Part 6: Prefabricated treatment unit used for septic tank effluent;*
- *Part 7: Prefabricated tertiary treatment unit.*

For filtration systems, CEN/TC 165 decided to publish the following CEN Technical reports, which are considered as Code of practices and do not specify treatment requirements:

- *Part 2: Soil infiltration systems*
- *Part 5: Pre-treated Effluent Filtration systems*



Key

A	domestic wastewater	1	prefabricated septic tank
B	septic tank effluent	2	soil infiltration system
C	treated infiltrated effluent	3	packaged and/or site assembled domestic wastewater treatment plant
D	treated wastewater	4	septic tank assembled <i>in situ</i> from prefabricated kit
E	tertiary treated wastewater	5	pre-treated effluent filtration system
		6	prefabricated treatment unit used for septic tank effluent
		7	prefabricated tertiary treatment unit

National regulations may specify different arrangements between the products described in the standard series EN 12566.

Figure 1 — Scheme related to the arrangement of the parts of EN 12566

According to the CEN/CENELEC Internal Regulations, the national standards organizations of the following countries are bound to implement this European Standard: Austria, Belgium, Bulgaria, Croatia, Cyprus, Czech Republic, Denmark, Estonia, Finland, Former Yugoslav Republic of Macedonia, France, Germany, Greece, Hungary, Iceland, Ireland, Italy, Latvia, Lithuania, Luxembourg, Malta, Netherlands, Norway, Poland, Portugal, Romania, Slovakia, Slovenia, Spain, Sweden, Switzerland, Turkey and the United Kingdom.