

SVENSK STANDARD

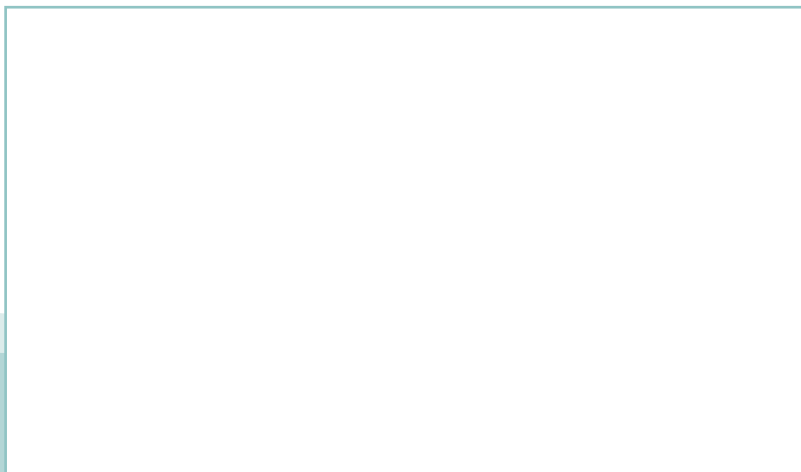
SS-EN 1381:2016



Fastställt/Approved: 2016-02-22
Publicerad/Published: 2016-02-26
Utgåva/Edition: 2
Språk/Language: engelska/English
ICS: 91.080.20

Träkonstruktioner – Bärande klammerförband – Provning

Timber structures – Test methods – Load bearing stapled joints



Standarder får världen att fungera

SIS (Swedish Standards Institute) är en fristående ideell förening med medlemmar från både privat och offentlig sektor. Vi är en del av det europeiska och globala nätverk som utarbetar internationella standarder. Standarder är dokumenterad kunskap utvecklad av framstående aktörer inom industri, näringsliv och samhälle och befrämjar handel över gränser, bidrar till att processer och produkter blir säkrare samt effektiviserar din verksamhet.

Delta och påverka

Som medlem i SIS har du möjlighet att påverka framtida standarder inom ditt område på nationell, europeisk och global nivå. Du får samtidigt tillgång till tidig information om utvecklingen inom din bransch.

Ta del av det färdiga arbetet

Vi erbjuder våra kunder allt som rör standarder och deras tillämpning. Hos oss kan du köpa alla publikationer du behöver – allt från enskilda standarder, tekniska rapporter och standardpaket till handböcker och onlinetjänster. Genom vår webbtjänst e-nav får du tillgång till ett lättnavigerat bibliotek där alla standarder som är aktuella för ditt företag finns tillgängliga. Standarder och handböcker är källor till kunskap. Vi säljer dem.

Utveckla din kompetens och lyckas bättre i ditt arbete

Hos SIS kan du gå öppna eller företagsinterna utbildningar kring innehåll och tillämpning av standarder. Genom vår närhet till den internationella utvecklingen och ISO får du rätt kunskap i rätt tid, direkt från källan. Med vår kunskap om standarders möjligheter hjälper vi våra kunder att skapa verklig nytta och lönsamhet i sina verksamheter.

Vill du veta mer om SIS eller hur standarder kan effektivisera din verksamhet är du välkommen in på www.sis.se eller ta kontakt med oss på tel 08-555 523 00.



Standards make the world go round

SIS (Swedish Standards Institute) is an independent non-profit organisation with members from both the private and public sectors. We are part of the European and global network that draws up international standards. Standards consist of documented knowledge developed by prominent actors within the industry, business world and society. They promote cross-border trade, they help to make processes and products safer and they streamline your organisation.

Take part and have influence

As a member of SIS you will have the possibility to participate in standardization activities on national, European and global level. The membership in SIS will give you the opportunity to influence future standards and gain access to early stage information about developments within your field.

Get to know the finished work

We offer our customers everything in connection with standards and their application. You can purchase all the publications you need from us - everything from individual standards, technical reports and standard packages through to manuals and online services. Our web service e-nav gives you access to an easy-to-navigate library where all standards that are relevant to your company are available. Standards and manuals are sources of knowledge. We sell them.

Increase understanding and improve perception

With SIS you can undergo either shared or in-house training in the content and application of standards. Thanks to our proximity to international development and ISO you receive the right knowledge at the right time, direct from the source. With our knowledge about the potential of standards, we assist our customers in creating tangible benefit and profitability in their organisations.

If you want to know more about SIS, or how standards can streamline your organisation, please visit www.sis.se or contact us on phone +46 (0)8-555 523 00



Europastandarden EN 1381:2016 gäller som svensk standard. Detta dokument innehåller den officiella engelska versionen av EN 1381:2016.

Denna standard ersätter SS-EN 1381, utgåva 1.

The European Standard EN 1381:2016 has the status of a Swedish Standard. This document contains the official English version of EN 1381:2016.

This standard supersedes the Swedish Standard SS-EN 1381, edition 1.

© Copyright/Upphovsrätten till denna produkt tillhör SIS, Swedish Standards Institute, Stockholm, Sverige. Användningen av denna produkt regleras av slutanvändarlicensen som återfinns i denna produkt, se standardens sista sidor.

© Copyright SIS, Swedish Standards Institute, Stockholm, Sweden. All rights reserved. The use of this product is governed by the end-user licence for this product. You will find the licence in the end of this document.

Upplysningar om sakinnehållet i standarden lämnas av SIS, Swedish Standards Institute, telefon 08-555 520 00. Standarder kan beställas hos SIS Förlag AB som även lämnar allmänna upplysningar om svensk och utländsk standard.

Information about the content of the standard is available from the Swedish Standards Institute (SIS), telephone +46 8 555 520 00. Standards may be ordered from SIS Förlag AB, who can also provide general information about Swedish and foreign standards.

Denna standard är framtagen av kommittén för Bärande träkonstruktioner, SIS/TK 182/AG 4.

Har du synpunkter på innehållet i den här standarden, vill du delta i ett kommande revideringsarbete eller vara med och ta fram andra standarder inom området? Gå in på www.sis.se - där hittar du mer information.

EUROPEAN STANDARD

EN 1381

NORME EUROPÉENNE

EUROPÄISCHE NORM

February 2016

ICS 91.080.20

Supersedes EN 1381:1999

English Version

Timber structures - Test methods - Load bearing stapled joints

Structures en bois - Méthodes d'essai - Assemblages
agrafés porteurs

Holzbauwerke - Prüfverfahren - Tragende
Klammerverbindungen

This European Standard was approved by CEN on 19 December 2015.

CEN members are bound to comply with the CEN/CENELEC Internal Regulations which stipulate the conditions for giving this European Standard the status of a national standard without any alteration. Up-to-date lists and bibliographical references concerning such national standards may be obtained on application to the CEN-CENELEC Management Centre or to any CEN member.

This European Standard exists in three official versions (English, French, German). A version in any other language made by translation under the responsibility of a CEN member into its own language and notified to the CEN-CENELEC Management Centre has the same status as the official versions.

CEN members are the national standards bodies of Austria, Belgium, Bulgaria, Croatia, Cyprus, Czech Republic, Denmark, Estonia, Finland, Former Yugoslav Republic of Macedonia, France, Germany, Greece, Hungary, Iceland, Ireland, Italy, Latvia, Lithuania, Luxembourg, Malta, Netherlands, Norway, Poland, Portugal, Romania, Slovakia, Slovenia, Spain, Sweden, Switzerland, Turkey and United Kingdom.



EUROPEAN COMMITTEE FOR STANDARDIZATION
COMITÉ EUROPÉEN DE NORMALISATION
EUROPÄISCHES KOMITEE FÜR NORMUNG

CEN-CENELEC Management Centre: Avenue Marnix 17, B-1000 Brussels

Contents		Page
European foreword		3
1	Scope	4
2	Normative references	4
3	Terms and definitions	4
4	Symbols and abbreviations	5
5	Materials	7
5.1	Timber	7
5.2	Wood-based materials	7
5.3	Staples	7
6	Test methods	8
6.1	General	8
6.2	Conditioning	8
6.3	Fabrication of the test pieces	8
6.4	Preparation of the test pieces	8
6.4.1	Load parallel to grain	8
6.4.2	Load perpendicular to grain	9
6.5	Test procedure	9
6.6	Test Result	11
6.7	Test Report	11
Bibliography		13

European foreword

This document (EN 1381:2016) has been prepared by Technical Committee CEN/TC 124 “Timber Structures”, the secretariat of which is held by AFNOR.

This European Standard shall be given the status of a national standard, either by publication of an identical text or by endorsement, at the latest by August 2016, and conflicting national standards shall be withdrawn at the latest by August 2016.

Attention is drawn to the possibility that some of the elements of this document may be the subject of patent rights. CEN [and/or CENELEC] shall not be held responsible for identifying any or all such patent rights.

This document supersedes EN 1381:1999.

Compared to EN 1381:1999, the following changes have been made:

- replacement of EN 28970 by EN ISO 8970;
- improvement to figures and definitions.

According to the CEN-CENELEC Internal Regulations, the national standards organizations of the following countries are bound to implement this European Standard: Austria, Belgium, Bulgaria, Croatia, Cyprus, Czech Republic, Denmark, Estonia, Finland, Former Yugoslav Republic of Macedonia, France, Germany, Greece, Hungary, Iceland, Ireland, Italy, Latvia, Lithuania, Luxembourg, Malta, Netherlands, Norway, Poland, Portugal, Romania, Slovakia, Slovenia, Spain, Sweden, Switzerland, Turkey and the United Kingdom.

1 Scope

This European Standard specifies test methods for determining the strength and deformation characteristics of stapled joints in load-bearing timber structures.

The methods assess joints with members of timber (solid timber and glued laminated timber) or wood-based products in the combination proposed for use in service and using all types of staples up to 3 mm diameter for circular cross-section staples or 4 mm x 2 mm for rectangular or oval cross-section staples.

The methods determine load-slip characteristics and maximum load of joints with laterally loaded staples where various angles between the applied force and the timber grain direction or the main direction of the wood-based products, respectively, are possible.

2 Normative references

The following documents, in whole or in part, are normatively referenced in this document and are indispensable for its application. For dated references, only the edition cited applies. For undated references, the latest edition of the referenced document (including any amendments) applies.

EN 322, *Wood-based panels - Determination of moisture content*

EN 323, *Wood-based panels - Determination of density*

EN 14592, *Timber Structures – Dowel-type-fasteners – Requirements*

EN 26891:1991, *Timber structures - Joints made with mechanical fasteners - General principles for the determination of strength and deformation characteristics (ISO 6891:1983)*

EN ISO 8970:2010, *Timber structures - Testing of joints made with mechanical fasteners - Requirements for wood density (ISO 8970:2010)*

ISO 13061-1, *Physical and mechanical properties of wood — Test methods for small clear wood specimens — Part 1: Determination of moisture content for physical and mechanical tests*

ISO 13061-2, *Physical and mechanical properties of wood — Test methods for small clear wood specimens — Part 2: Determination of density for physical and mechanical tests*

3 Terms and definitions

For the purposes of this document, the following terms and definitions apply.

3.1

staple

double-bent, u-shaped piece of round, square, rectangular or oval wire with pointed

3.2

staple crown

connection between the two staple legs

3.3

staple leg diameter or side length

nominal diameter of a round staple leg, the side length of a rectangular leg, or the diameter of an oval cross section as defined in EN 14592

3.4**staple length**

length of each staple leg, including point

3.5**staple crone width**

width across the staple legs

3.6**deformation of the joint**

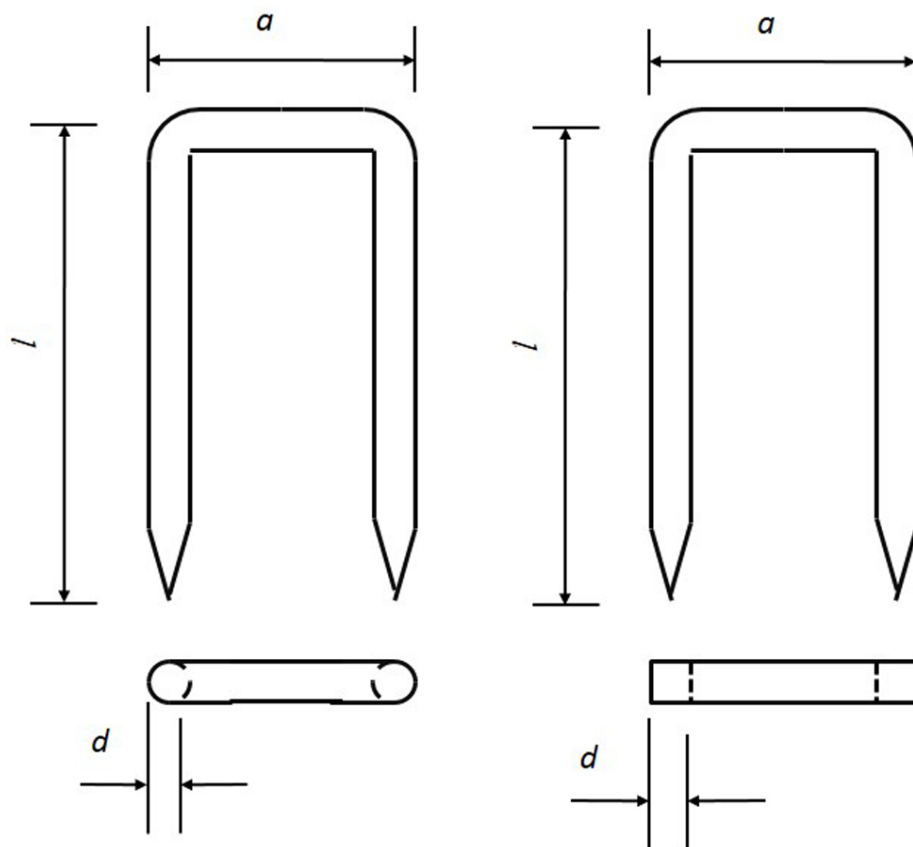
mean value of the measurements of the relative displacements of the two side members with respect to the central member

Note 1 to entry see Figure 1.

4 Symbols and abbreviations

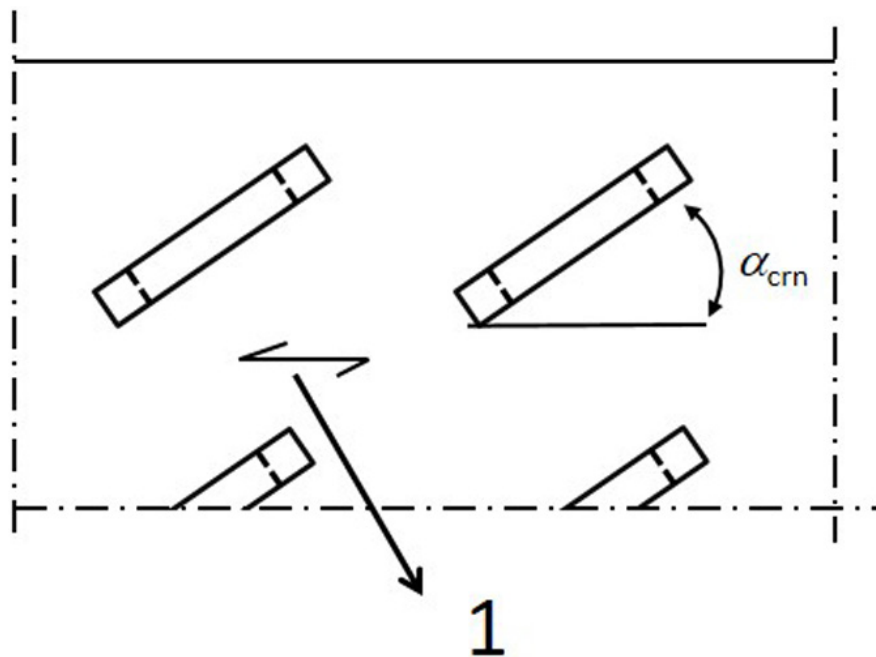
For the purposes of this document, the following symbols and abbreviations apply.

- a staple crone width, see Figure 1, in millimetres
- b width of member cross-section, in millimetres
- d nominal value of the diameter of a round staple leg, the side length of a rectangular leg, or the diameter of an oval cross section as defined in EN 14592, see Figure 1, in millimetres.
- F load, in newtons
- t member thickness, in millimetres
- l staple length including the point, see Figure 1, in millimetres
- α_{crn} angle between the direction of a staple crown and the grain direction or the main direction of the wood-based products, respectively, see Figure 2, in degrees

**Key**

- l is staple length
- d is diameter
- a is staple crown width

Figure 1 — Staple dimensions

**Key**

1 grain direction

Figure 2 — Angle between the staple direction and the grain direction or the main direction of a wood-based product

5 Materials**5.1 Timber**

The timber shall be selected in accordance with the method given in EN ISO 8970:2010.

For each test piece, the density of the individual members to be joined shall not differ more than 10 %.

For a group of similar test pieces, separate planks shall be used for each test piece.

The members shall be free from major defects that could lead to premature failure in the area away from the fasteners.

5.2 Wood-based materials

The specification of these products shall be established. The products used for the individual members of the test pieces shall be representative of the class or range of product to which they belong and the relevant properties shall be declared.

One unique grade shall be used to make the test pieces. For each test piece, the individual members in the joint shall be selected from separate pieces of material.

5.3 Staples

The technical specification of the staple wire and the staples shall be established if unknown.