

SVENSK STANDARD

SS-EN 16752:2015



Fastställt/Approved: 2015-09-13
Publicerad/Published: 2015-09-28
Utgåva/Edition: 1
Språk/Language: engelska/English
ICS: 21.140; 23.080

Centrifugalpumpar – Provningsmetoder för packboxtätningar

Centrifugal pumps – Test procedure for seal packings



Standarder får världen att fungera

SIS (Swedish Standards Institute) är en fristående ideell förening med medlemmar från både privat och offentlig sektor. Vi är en del av det europeiska och globala nätverk som utarbetar internationella standarder. Standarder är dokumenterad kunskap utvecklad av framstående aktörer inom industri, näringsliv och samhälle och befrämjar handel över gränser, bidrar till att processer och produkter blir säkrare samt effektiviserar din verksamhet.

Delta och påverka

Som medlem i SIS har du möjlighet att påverka framtida standarder inom ditt område på nationell, europeisk och global nivå. Du får samtidigt tillgång till tidig information om utvecklingen inom din bransch.

Ta del av det färdiga arbetet

Vi erbjuder våra kunder allt som rör standarder och deras tillämpning. Hos oss kan du köpa alla publikationer du behöver – allt från enskilda standarder, tekniska rapporter och standardpaket till handböcker och onlinetjänster. Genom vår webbtjänst e-nav får du tillgång till ett lättnavigerat bibliotek där alla standarder som är aktuella för ditt företag finns tillgängliga. Standarder och handböcker är källor till kunskap. Vi säljer dem.

Utveckla din kompetens och lyckas bättre i ditt arbete

Hos SIS kan du gå öppna eller företagsinterna utbildningar kring innehåll och tillämpning av standarder. Genom vår närhet till den internationella utvecklingen och ISO får du rätt kunskap i rätt tid, direkt från källan. Med vår kunskap om standarders möjligheter hjälper vi våra kunder att skapa verklig nytta och lönsamhet i sina verksamheter.

Vill du veta mer om SIS eller hur standarder kan effektivisera din verksamhet är du välkommen in på www.sis.se eller ta kontakt med oss på tel 08-555 523 00.



Standards make the world go round

SIS (Swedish Standards Institute) is an independent non-profit organisation with members from both the private and public sectors. We are part of the European and global network that draws up international standards. Standards consist of documented knowledge developed by prominent actors within the industry, business world and society. They promote cross-border trade, they help to make processes and products safer and they streamline your organisation.

Take part and have influence

As a member of SIS you will have the possibility to participate in standardization activities on national, European and global level. The membership in SIS will give you the opportunity to influence future standards and gain access to early stage information about developments within your field.

Get to know the finished work

We offer our customers everything in connection with standards and their application. You can purchase all the publications you need from us - everything from individual standards, technical reports and standard packages through to manuals and online services. Our web service e-nav gives you access to an easy-to-navigate library where all standards that are relevant to your company are available. Standards and manuals are sources of knowledge. We sell them.

Increase understanding and improve perception

With SIS you can undergo either shared or in-house training in the content and application of standards. Thanks to our proximity to international development and ISO you receive the right knowledge at the right time, direct from the source. With our knowledge about the potential of standards, we assist our customers in creating tangible benefit and profitability in their organisations.

If you want to know more about SIS, or how standards can streamline your organisation, please visit www.sis.se or contact us on phone +46 (0)8-555 523 00



Europastandarden EN 16752:2015 gäller som svensk standard. Detta dokument innehåller den officiella engelska versionen av EN 16752:2015.

The European Standard EN 16752:2015 has the status of a Swedish Standard. This document contains the official English version of EN 16752:2015.

© Copyright/Upphovsrätten till denna produkt tillhör SIS, Swedish Standards Institute, Stockholm, Sverige. Användningen av denna produkt regleras av slutanvändarlicensen som återfinns i denna produkt, se standardens sista sidor.

© Copyright SIS, Swedish Standards Institute, Stockholm, Sweden. All rights reserved. The use of this product is governed by the end-user licence for this product. You will find the licence in the end of this document.

Upplysningar om sakinnehållet i standarden lämnas av SIS, Swedish Standards Institute, telefon 08-555 520 00. Standarder kan beställas hos SIS Förlag AB som även lämnar allmänna upplysningar om svensk och utländsk standard.

Information about the content of the standard is available from the Swedish Standards Institute (SIS), telephone +46 8 555 520 00. Standards may be ordered from SIS Förlag AB, who can also provide general information about Swedish and foreign standards.

Denna standard är framtagen av kommittén för Pumpar, SIS/TK 227.

Har du synpunkter på innehållet i den här standarden, vill du delta i ett kommande revideringsarbete eller vara med och ta fram andra standarder inom området? Gå in på www.sis.se - där hittar du mer information.

EUROPEAN STANDARD

EN 16752

NORME EUROPÉENNE

EUROPÄISCHE NORM

September 2015

ICS 21.140; 23.080

English Version

Centrifugal pumps - Test procedure for seal packings

Pompes centrifuges - Procédure d'essai pour garnitures tressées

Kreiselpumpen - Abnahmeprüfung für Packungen

This European Standard was approved by CEN on 1 August 2015.

CEN members are bound to comply with the CEN/CENELEC Internal Regulations which stipulate the conditions for giving this European Standard the status of a national standard without any alteration. Up-to-date lists and bibliographical references concerning such national standards may be obtained on application to the CEN-CENELEC Management Centre or to any CEN member.

This European Standard exists in three official versions (English, French, German). A version in any other language made by translation under the responsibility of a CEN member into its own language and notified to the CEN-CENELEC Management Centre has the same status as the official versions.

CEN members are the national standards bodies of Austria, Belgium, Bulgaria, Croatia, Cyprus, Czech Republic, Denmark, Estonia, Finland, Former Yugoslav Republic of Macedonia, France, Germany, Greece, Hungary, Iceland, Ireland, Italy, Latvia, Lithuania, Luxembourg, Malta, Netherlands, Norway, Poland, Portugal, Romania, Slovakia, Slovenia, Spain, Sweden, Switzerland, Turkey and United Kingdom.



EUROPEAN COMMITTEE FOR STANDARDIZATION
COMITÉ EUROPÉEN DE NORMALISATION
EUROPÄISCHES KOMITEE FÜR NORMUNG

CEN-CENELEC Management Centre: Avenue Marnix 17, B-1000 Brussels

Contents	Page
European foreword.....	3
1 Scope	4
2 Normative references	4
3 Terms and definitions	4
4 Test facility, testing apparatus	4
5 Pre-test procedure	7
6 Installation	7
7 Test conditions	8
7.1 General.....	8
7.2 Test medium.....	8
7.3 Shaft diameter.....	8
7.4 Packing cross section.....	8
7.5 Surface speed.....	8
7.6 Pressure.....	8
7.7 Tightness-classes.....	8
8 Test Procedure	8
8.1 Break-in period.....	8
8.2 Test duration.....	9
8.3 Result recording.....	9
8.4 Gland adjustments.....	9
8.5 Number of tests.....	9
8.6 Test completion.....	9
9 Reporting	9
Annex A (normative) Packing test report template	11
Annex B (informative) Typical graphical representation of results	14
Bibliography	15

European foreword

This document (EN 16752:2015) has been prepared by Technical Committee CEN/TC 197 “Pumps”, the secretariat of which is held by AFNOR.

This European Standard shall be given the status of a national standard, either by publication of an identical text or by endorsement, at the latest by March 2016, and conflicting national standards shall be withdrawn at the latest by March 2016.

Attention is drawn to the possibility that some of the elements of this document may be the subject of patent rights. CEN [and/or CENELEC] shall not be held responsible for identifying any or all such patent rights.

According to the CEN-CENELEC Internal Regulations, the national standards organizations of the following countries are bound to implement this European Standard: Austria, Belgium, Bulgaria, Croatia, Cyprus, Czech Republic, Denmark, Estonia, Finland, Former Yugoslav Republic of Macedonia, France, Germany, Greece, Hungary, Iceland, Ireland, Italy, Latvia, Lithuania, Luxembourg, Malta, Netherlands, Norway, Poland, Portugal, Romania, Slovakia, Slovenia, Spain, Sweden, Switzerland, Turkey and the United Kingdom.

1 Scope

This European Standard gives details of a test procedure for packings to be used to seal the stuffing boxes of centrifugal pumps. It gives provisions on the design of test equipment, standard test parameters and reporting criteria. It does not specify performance criteria which should be agreed between supplier and customer, but does define 3 tightness classes.

When necessary, this European Standard is also applicable to packings used on other rotary equipment such as mixers and agitators.

2 Normative references

The following documents, in whole or in part, are normatively referenced in this document and are indispensable for its application. For dated references, only the edition cited applies. For undated references, the latest edition of the referenced document (including any amendments) applies.

EN ISO 286-2, *Geometrical product specifications (GPS) — ISO code system for tolerances on linear sizes — Part 2: Tables of standard tolerance classes and limit deviations for holes and shafts (ISO 286-2)*

3 Terms and definitions

For the purposes of this document, the following terms and definitions apply.

3.1

stuffing box

space into which compression packing is inserted

Note 1 to entry: Stuffing box is also known as packing gland.

3.2

gland follower

part that provides into a stuffing box to compress a packing set or a packing ring

3.3

shaft

metal rod connecting the impeller of a pump to the motor

3.4

leakage

flow of liquid permitted to pass the packing

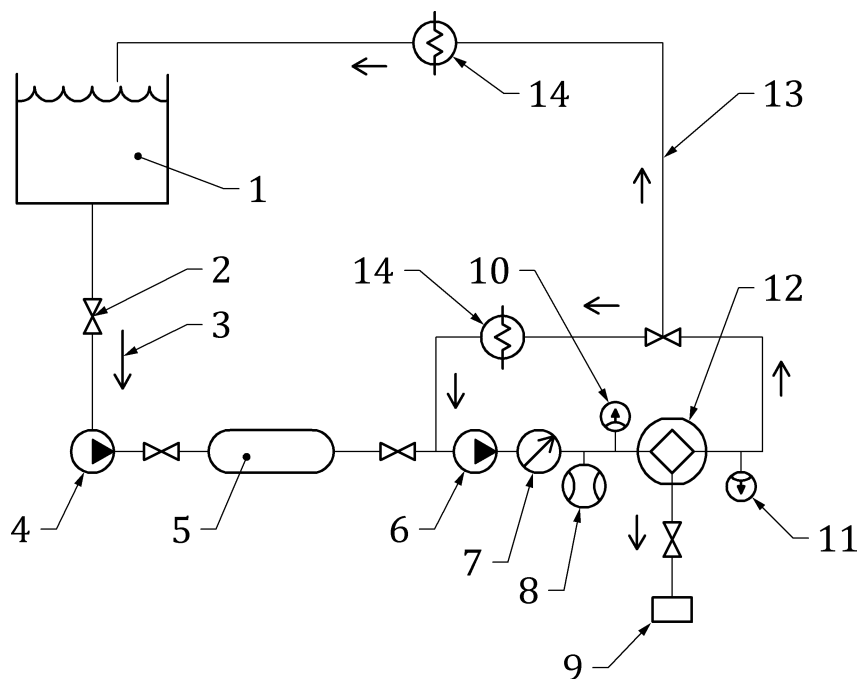
3.5

housing bore

dimension of the annular space that packing is inserted into

4 Test facility, testing apparatus

The test facility shall be arranged as described in Figure 1.

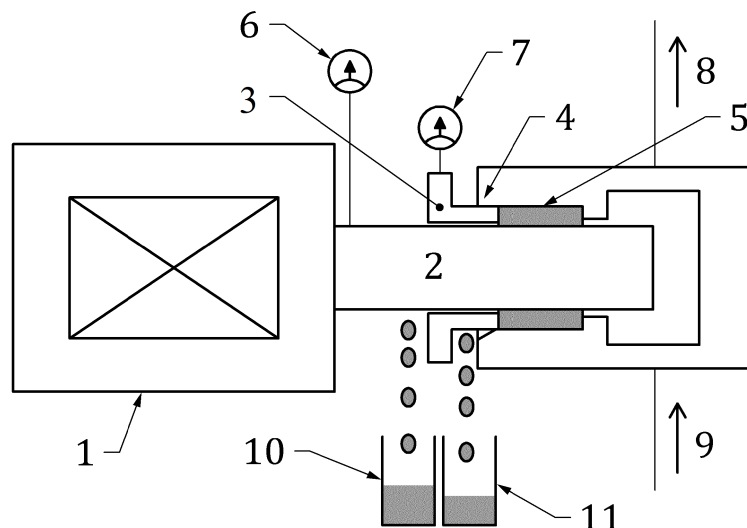


Key

- 1 tank
- 2 valve
- 3 direction of flow
- 4 pump
- 5 pressure container
- 6 water circulation pump
- 7 pressure gauge
- 8 flow measurement
- 9 drain
- 10 inlet temperature gauge
- 11 outlet temperature gauge
- 12 testing apparatus
- 13 alternate return line
- 14 heat exchanger

Figure 1 — Test arrangement

The testing apparatus shall be compliant with the description given in Figure 2. In particular, it shall consist of a suitable housing for retaining the test fluid and either one or more stuffing boxes to house the test packing. Each stuffing box shall be fitted with a gland follower and suitable retaining plate capable of controlled axial adjustment. There shall be a test shaft mounted on suitable bearings and attached to a suitable drive mechanism.



Key

- 1 motor
- 2 test shaft
- 3 gland follower
- 4 stuffing box
- 5 test packing
- 6 torque measurement
- 7 gland follower temperature
- 8 water in
- 9 water out
- 10 shaft leakage measurement
- 11 gland leakage measurement

Figure 2 — Testing apparatus details

The testing apparatus shall also conform to the following additional requirements:

- a) the shaft speed shall be controlled within a maximum variation of $\pm 5\%$;
- b) the test head shall be designed and constructed so as to maintain stuffing box bore alignment relative to the shaft axis within 0,10 mm;
- c) the design of the test head and support shall ensure minimum vibration;
- d) the surface roughness of the stuffing box bore shall be no worse than $1,6\ \mu\text{m Ra}$. The surface roughness of the shaft shall be no worse than $0,4\ \mu\text{m Ra}$ and the shaft shall be free of helical machine marks;
- e) shaft and housing shall be manufactured from corrosion resistant stainless steel (e.g. 1.4016 or 1.4404 in accordance with EN 10088-1) without surface coating and shaft hardness shall be 40 HRC minimum;
- f) the tolerances on shaft and stuffing box bore shall be h10 and H10 respectively in accordance with EN ISO 286-2;

- g) the test fluid shall be circulated through the test housing at a rate such that the temperature of the test medium entering the housing remains constant within $\pm 5\text{ }^{\circ}\text{C}$ and the outlet temperature is no more than $10\text{ }^{\circ}\text{C}$ higher than the inlet temperature;
- h) means shall be provided for collecting and measuring the volume of fluid leakage during the test, the leakage from the shaft and stuffing box bore sides shall be measured separately;
- i) means shall be provided to measure the temperature of the fluid as it enters and leaves the test housing and the temperature of the gland follower within $(3 \pm 0,5)$ mm of the outer packing ring (i.e. packing temperature). In particular, a probe shall be positioned in a blind hole drilled axially into the gland follower;
- j) means shall be provided to measure frictional power consumption of the packing. This shall be achieved by continuous torque measurement. The following value, called hereafter Normalized Power Consumption, shall be then calculated by taking the power in Watts divided by the packing contact area in square metres divided by the speed in metres per second – rationalised to Ws/m^3 .

$$\text{Normalized Power Consumption (W.s}/\text{m}^3) = \frac{P(W)}{S_c(m^2) \times \text{linear rotation speed}(m/s)}$$

With dissipated power $P(W) = T(N \cdot m) \times \omega(\text{rad}/s)$ where T is the measured torque

$$\text{With } \omega(\text{rad}/s) = \frac{2\pi}{60} \times \text{rotation speed}(rpm)$$

With Surface contact $S_c(m^2) = \pi \times D(m) \times L(m)$ where D is shaft diameter and L is packing height

$$\text{With linear rotation speed (m:s)} = \frac{\text{rotation speed}(rpm) \times \pi \times D(m)}{60} \text{ where } D \text{ is shaft diameter}$$

The test packing shall be made of 4 pre-formed rings or 4 rings of packing cut from length form material to size, cut with a 'skive' (diagonal) cut in accordance with installation good practice.

NOTE FSA/ESA gives guidelines for good practice in the document Compression Packing Technical Manual (3rd Edition).

5 Pre-test procedure

Prior to the installation of rings in the stuffing box, the following steps shall be undertaken:

- 1) Inspect the packing for conformity to its specification and measure and record its cross-section dimensions: measure the radial cross-section of each ring at two diametrically opposite positions and record the average section of the whole set and the overall set depth.
- 2) Measure and record the shaft and housing bore diameters and their surface roughness.
- 3) Weigh each ring and record the weight of the set.

6 Installation

The 4 rings of packing in each stuffing box shall be installed as follows:

- Install one ring at a time. Make sure it is clean and has not picked up any dirt in handling.
- Seat rings firmly (except PTFE filament and graphite yarn packings to which only sufficient pre-load should be applied to ensure full axial contact and then tightened gradually after start up).