

SVENSK STANDARD

SS-EN 14688:2015



Fastställt/Approved: 2015-08-09
Publicerad/Published: 2015-08-26
Utgåva/Edition: 2
Språk/Language: engelska/English
ICS: 91.140.70

Sanitetsenheter – Tvättställ – Funktionskrav och provningmetoder

Sanitary appliances – Wash basins – Functional requirements and test methods

This preview is downloaded from www.sis.se. Buy the entire standard via <https://www.sis.se/std-8015383>

Standarder får världen att fungera

SIS (Swedish Standards Institute) är en fristående ideell förening med medlemmar från både privat och offentlig sektor. Vi är en del av det europeiska och globala nätverk som utarbetar internationella standarder. Standarder är dokumenterad kunskap utvecklad av framstående aktörer inom industri, näringsliv och samhälle och befrämjar handel över gränser, bidrar till att processer och produkter blir säkrare samt effektiviserar din verksamhet.

Delta och påverka

Som medlem i SIS har du möjlighet att påverka framtida standarder inom ditt område på nationell, europeisk och global nivå. Du får samtidigt tillgång till tidig information om utvecklingen inom din bransch.

Ta del av det färdiga arbetet

Vi erbjuder våra kunder allt som rör standarder och deras tillämpning. Hos oss kan du köpa alla publikationer du behöver – allt från enskilda standarder, tekniska rapporter och standardpaket till handböcker och onlinetjänster. Genom vår webbtjänst e-nav får du tillgång till ett lättnavigerat bibliotek där alla standarder som är aktuella för ditt företag finns tillgängliga. Standarder och handböcker är källor till kunskap. Vi säljer dem.

Utveckla din kompetens och lyckas bättre i ditt arbete

Hos SIS kan du gå öppna eller företagsinterna utbildningar kring innehåll och tillämpning av standarder. Genom vår närhet till den internationella utvecklingen och ISO får du rätt kunskap i rätt tid, direkt från källan. Med vår kunskap om standarders möjligheter hjälper vi våra kunder att skapa verklig nytta och lönsamhet i sina verksamheter.

Vill du veta mer om SIS eller hur standarder kan effektivisera din verksamhet är du välkommen in på www.sis.se eller ta kontakt med oss på tel 08-555 523 00.



Standards make the world go round

SIS (Swedish Standards Institute) is an independent non-profit organisation with members from both the private and public sectors. We are part of the European and global network that draws up international standards. Standards consist of documented knowledge developed by prominent actors within the industry, business world and society. They promote cross-border trade, they help to make processes and products safer and they streamline your organisation.

Take part and have influence

As a member of SIS you will have the possibility to participate in standardization activities on national, European and global level. The membership in SIS will give you the opportunity to influence future standards and gain access to early stage information about developments within your field.

Get to know the finished work

We offer our customers everything in connection with standards and their application. You can purchase all the publications you need from us - everything from individual standards, technical reports and standard packages through to manuals and online services. Our web service e-nav gives you access to an easy-to-navigate library where all standards that are relevant to your company are available. Standards and manuals are sources of knowledge. We sell them.

Increase understanding and improve perception

With SIS you can undergo either shared or in-house training in the content and application of standards. Thanks to our proximity to international development and ISO you receive the right knowledge at the right time, direct from the source. With our knowledge about the potential of standards, we assist our customers in creating tangible benefit and profitability in their organisations.

If you want to know more about SIS, or how standards can streamline your organisation, please visit www.sis.se or contact us on phone +46 (0)8-555 523 00



Europastandarden EN 14688:2015 gäller som svensk standard. Detta dokument innehåller den officiella engelska versionen av EN 14688:2015.

Denna standard ersätter SS-EN 14688:2006, utgåva 1.

The European Standard EN 14688:2015 has the status of a Swedish Standard. This document contains the official English version of EN 14688:2015.

This standard supersedes the Swedish Standard SS-EN 14688:2006, edition 1.

Nationell information

Följande är avsedd för svenska förhållanden:
Tvättställ klass 15 för tvättställ med bräddavlopp.
Tvättställ klass 00 för tvättställ utan bräddavlopp

Tvättställ klass 20 och klass 25 kan användas i Sverige.

Tvättställ klass 10 är inte avsedda för installation i Sverige

© Copyright/Upphovsrätten till denna produkt tillhör SIS, Swedish Standards Institute, Stockholm, Sverige. Användningen av denna produkt regleras av slutanvändarlicensen som återfinns i denna produkt, se standardens sista sidor.

© Copyright SIS, Swedish Standards Institute, Stockholm, Sweden. All rights reserved. The use of this product is governed by the end-user licence for this product. You will find the licence in the end of this document.

Upplysningar om sakinnehållet i standarden lämnas av SIS, Swedish Standards Institute, telefon 08-555 520 00. Standarder kan beställas hos SIS Förlag AB som även lämnar allmänna upplysningar om svensk och utländsk standard.

Information about the content of the standard is available from the Swedish Standards Institute (SIS), telephone +46 8 555 520 00. Standards may be ordered from SIS Förlag AB, who can also provide general information about Swedish and foreign standards.

Denna standard är framtagen av kommittén för Sanitetsenheter, SIS/TK 198/AG 163.

Har du synpunkter på innehållet i den här standarden, vill du delta i ett kommande revideringsarbete eller vara med och ta fram andra standarder inom området? Gå in på www.sis.se - där hittar du mer information.

EUROPEAN STANDARD

EN 14688

NORME EUROPÉENNE

EUROPÄISCHE NORM

July 2015

ICS 91.140.70

Supersedes EN 14688:2006

English Version

Sanitary appliances - Wash basins - Functional requirements and test methods

Appareils sanitaires - Lavabos - Exigences fonctionnelles et
méthodes d'essai

Sanitärausstattungsgegenstände - Waschbecken -
Funktionsanforderungen und Prüfverfahren

This European Standard was approved by CEN on 19 June 2015.

CEN members are bound to comply with the CEN/CENELEC Internal Regulations which stipulate the conditions for giving this European Standard the status of a national standard without any alteration. Up-to-date lists and bibliographical references concerning such national standards may be obtained on application to the CEN-CENELEC Management Centre or to any CEN member.

This European Standard exists in three official versions (English, French, German). A version in any other language made by translation under the responsibility of a CEN member into its own language and notified to the CEN-CENELEC Management Centre has the same status as the official versions.

CEN members are the national standards bodies of Austria, Belgium, Bulgaria, Croatia, Cyprus, Czech Republic, Denmark, Estonia, Finland, Former Yugoslav Republic of Macedonia, France, Germany, Greece, Hungary, Iceland, Ireland, Italy, Latvia, Lithuania, Luxembourg, Malta, Netherlands, Norway, Poland, Portugal, Romania, Slovakia, Slovenia, Spain, Sweden, Switzerland, Turkey and United Kingdom.



EUROPEAN COMMITTEE FOR STANDARDIZATION
COMITÉ EUROPÉEN DE NORMALISATION
EUROPÄISCHES KOMITEE FÜR NORMUNG

CEN-CENELEC Management Centre: Avenue Marnix 17, B-1000 Brussels

Contents		Page
European foreword		3
1	Scope	4
2	Normative references	4
3	Terms and definitions	4
4	Requirements	7
4.1	Load resistance.....	7
4.2	Draining of water.....	7
4.3	Resistance to temperature changes	7
4.4	Resistance to chemicals and staining agents	7
4.5	Surface stability	7
4.6	Cleanability	7
4.7	Protection against overflowing	7
4.8	Durability	8
5	Test methods.....	8
5.1	General.....	8
5.2	Load resistance.....	8
5.3	Draining of water.....	10
5.4	Resistance to temperature changes	10
5.5	Resistance to chemicals and staining agents	11
5.6	Resistance to scratching	13
5.7	Resistance to abrasion	15
5.8	Cleanability	17
5.9	Determination of flow rate of overflow	17
6	Dangerous substances	17
7	Marking and product designation	17
8	Assessment and verification of constancy of performance – AVCP	18
8.1	General.....	18
8.2	Type testing.....	19
8.3	Factory production control (FPC)	20
Annex ZA (informative) Clauses of this European Standard addressing the provisions of the EU Construction Products Regulation		22
Bibliography		30

European foreword

This document (EN 14688:2015) has been prepared by Technical Committee CEN/TC 163 “Sanitary appliances”, the secretariat of which is held by UNI.

This European Standard shall be given the status of a national standard, either by publication of an identical text or by endorsement, at the latest by January 2016 and conflicting national standards shall be withdrawn at the latest by April 2017.

Attention is drawn to the possibility that some of the elements of this document may be the subject of patent rights. CEN [and/or CENELEC] shall not be held responsible for identifying any or all such patent rights.

This document supersedes EN 14688:2006.

This document has been prepared under a mandate given to CEN by the European Commission and the European Free Trade Association, and supports essential requirements of the EU Construction Products Regulation.

For relationship with EU Construction Products Regulation, see informative Annex ZA, which is an integral part of this document.

Since the latest edition of EN 14688, the most significant technical changes are the following:

- a) introduction of the term “product type”;
- b) introduction of the clause “Dangerous substances”;
- c) modification of the marking of products;
- d) replacement of the clause “Evaluation of conformity” by “Assessment and verification of constancy of performance - AVCP” and replacement of Annex ZA by a new one in accordance with provisions of Regulation 305/2011/EU.

According to the CEN-CENELEC Internal Regulations, the national standards organizations of the following countries are bound to implement this European Standard: Austria, Belgium, Bulgaria, Croatia, Cyprus, Czech Republic, Denmark, Estonia, Finland, Former Yugoslav Republic of Macedonia, France, Germany, Greece, Hungary, Iceland, Ireland, Italy, Latvia, Lithuania, Luxembourg, Malta, Netherlands, Norway, Poland, Portugal, Romania, Slovakia, Slovenia, Spain, Sweden, Switzerland, Turkey and the United Kingdom.

1 Scope

This European Standard specifies the functional requirements and test methods for wash basins for domestic purposes.

NOTE 1 For the purposes of this standard the term “domestic purposes” includes use in hotels, accommodation for students, hospitals and similar buildings, except when special medical provisions are required.

NOTE 2 All drawings are examples only. The shape of the appliance is left to the discretion of the manufacturer.

2 Normative references

The following documents, in whole or in part, are normatively referenced in this document and are indispensable for its application. For dated references, only the edition cited applies. For undated references, the latest edition of the referenced document (including any amendments) applies.

EN ISO 6506-1, *Metallic materials - Brinell hardness test - Part 1: Test method (ISO 6506-1)*

ISO 9352, *Plastics - Determination of resistance to wear by abrasive wheels*

3 Terms and definitions

For the purposes of this document, the following terms and definitions apply.

3.1 wash basin
sanitary appliance primarily intended for washing the upper parts of the body, with one or more bowls, each with a waste outlet hole, with or without overflow and with or without taphole(s)

Note 1 to entry: The various types of wash basins are differentiated by the methods of mounting. The main types are given in the definitions that follow.

3.1.1 wall-hung wash basin
wash basin attached directly to a wall

Note 1 to entry: See Figures 1 and 2.

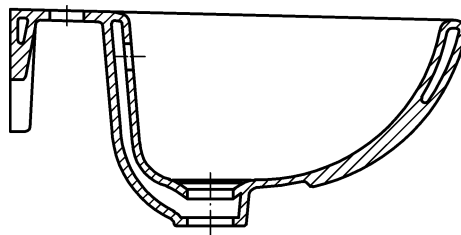


Figure 1 — Wall-hung wash basin with overflow

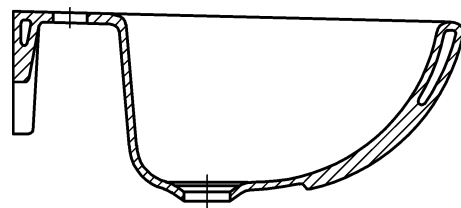


Figure 2 — Wall-hung wash basin without overflow

3.1.2

bracket-mounted wash basin

wash basin supported on brackets which are fixed to a wall

Note 1 to entry: See Figure 3.

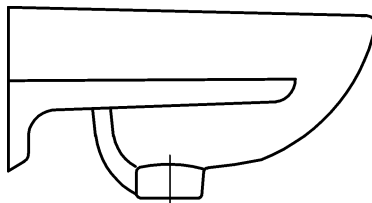


Figure 3 — Bracket-mounted wash basin

3.1.3

pedestal wash basin

wash basin supported by a floor mounted pedestal

Note 1 to entry: See Figure 4.

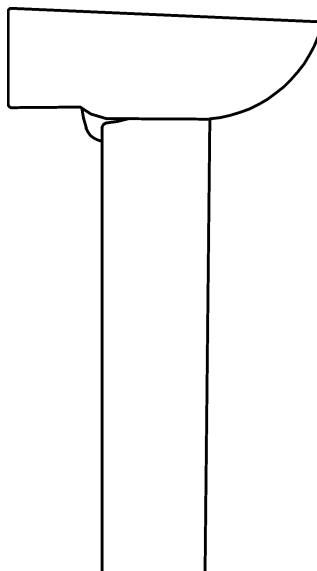


Figure 4 — Pedestal wash basin

3.1.4

vanity wash basin

wash basin installed into a vanity top

Note 1 to entry: See Figure 5.

Note 2 to entry: The bowl(s) may be mounted in different ways:

- a) the rim of the wash basin rests on the vanity top (inset wash basin);
- b) the front of the basin protrudes beyond the front edge of the vanity top (semi-recessed wash basin);
- c) the rim of the wash basin butts against the underside of the vanity top (wash basin mounted beneath a vanity top);
- d) the bottom of the wash basin rests on the vanity top (vessel wash basin).

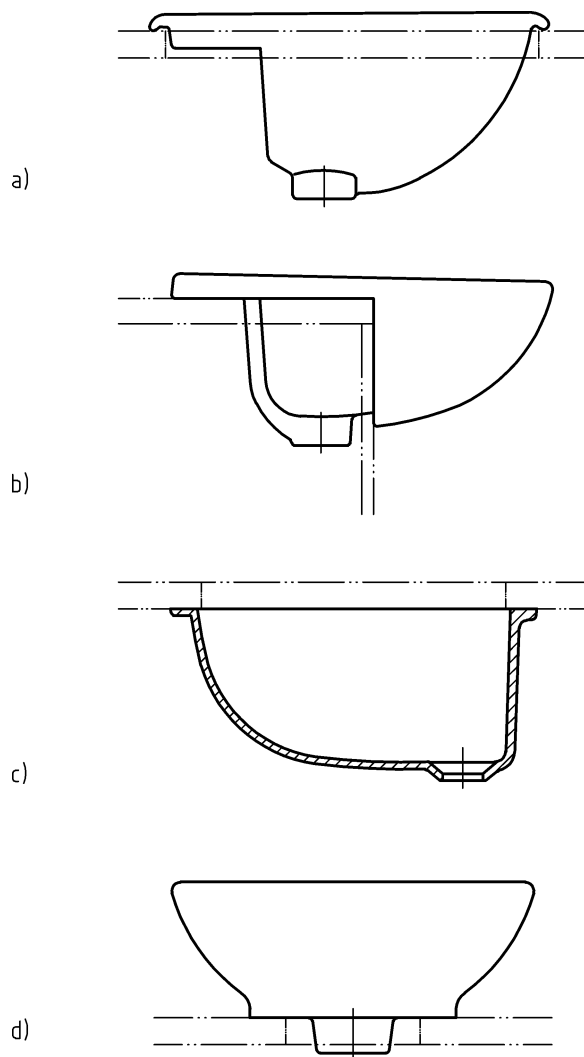


Figure 5 — Vanity top wash basins

3.1.5

corner wash basin

wash basin intended to be installed in a 90° wall corner and to be attached to both walls

3.2

handrinse basin

wash basin with a width of ≤ 530 mm, intended for hand washing only

3.3

multi-layer wash basin

wash basin consisting of two or more layers of material

3.4

product type

construction product with a set of representative performance levels or classes in relation to its Essential Characteristics, produced using a given combination of raw materials or other elements in a specific production process

4 Requirements

4.1 Load resistance

When tested in accordance with 5.2, wall-hung wash basins shall not crack, be broken or show permanent distortion.

4.2 Draining of water

When tested in accordance with 5.3, all water shall drain away.

4.3 Resistance to temperature changes

When wash basins are tested in accordance with 5.4, they shall not show defects, such as cracks or delamination which influences the intended use.

Experience has shown that wash basins made of glazed ceramics, stainless steel, enamelled steel and glass comply with this requirement.

4.4 Resistance to chemicals and staining agents

When used as intended, any functional surface shall be resistant to household chemicals and cleansing agents recommended by the manufacturer.

When tested in accordance with 5.5, wash basins shall not show any permanent surface deterioration, such as stains or deterioration not removable with water or abrasive agent.

Experience has shown that wash basins made of glazed ceramics, stainless steel and enamelled steel comply with this requirement.

4.5 Surface stability

This requirement is applicable only to multi-layer wash basins to ensure the stability of the top layer.

When tested in accordance with 5.6, any scratch shall not exceed 0,1 mm and/or the total depth of the top layer whichever is the least.

When tested in accordance with 5.7, the top layer of the test specimen shall not be abraded through.

Experience has shown that wash basins made of glazed ceramics and enamelled steel comply with these requirements.

4.6 Cleanability

When tested in accordance with 5.8, wash basins shall have smooth and readily cleansed non-absorbent functional surfaces which are free from acute internal corners which would be difficult to clean, i.e. surfaces intended to or likely to come into contact with water during use.

Experience has shown that wash basins manufactured from plastics materials, enamelled steel/cast iron, stainless steel, glazed ceramics and glass, designed and constructed without acute internal corners, satisfy this requirement.

4.7 Protection against overflowing

4.7.1 Wash basins with overflow

Every wash basin shall be protected against overflowing.