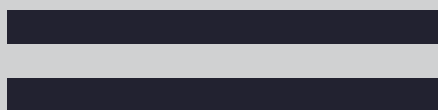


SVENSK STANDARD

SS-ISO 9182-4:2020

Pressverktyg – Styrpelare –
Del 4: Typ C, konisk styrning och bussning
(ISO 9182-4:2020, IDT)

Tools for pressing – Guide pillars –
Part 4: Type C, pillars with taper lead and bush
(ISO 9182-4:2020, IDT)



sis Svenska
Institutet för
Standarder

Language: engelska/English

Edition: 2

This preview is downloaded from www.sis.se. Buy the entire standard via <https://www.sis.se/std-80024692>

Den här standarden kan hjälpa dig att effektivisera och kvalitetssäkra ditt arbete. SIS har fler tjänster att erbjuda dig för att underlätta tillämpningen av standarder i din verksamhet.

SIS Abonnemang

Snabb och enkel åtkomst till gällande standard med SIS Abonnemang, en prenumerationstjänst genom vilken din organisation får tillgång till all världens standarder, senaste uppdateringarna och där hela din organisation kan ta del av innehållet i prenumerationen.

Utbildning, event och publikationer

Vi erbjuder även utbildningar, rådgivning och event kring våra mest sålda standarder och frågor kopplade till utveckling av standarder. Vi ger också ut handböcker som underlättar ditt arbete med att använda en specifik standard.

Vill du delta i ett standardiseringsprojekt?

Genom att delta som expert i någon av SIS 300 tekniska kommittéer inom CEN (europeisk standardisering) och/eller ISO (internationell standardisering) har du möjlighet att påverka standardiseringsarbetet i frågor som är viktiga för din organisation. Välkommen att kontakta SIS för att få veta mer!

Kontakt

Skriv till kundservice@sis.se, besök [sis.se](https://www.sis.se) eller ring 08 - 555 523 10

© Copyright/Upphovsrätten till denna produkt tillhör Svenska institutet för standarder, Stockholm, Sverige. Upphovsrätten och användningen av denna produkt regleras i slutanvändarlicensen som återfinns på [sis.se/slutanvandarlicens](https://www.sis.se/slutanvandarlicens) och som du automatiskt blir bunden av när du använder produkten. För ordlista och förkortningar se [sis.se/ordlista](https://www.sis.se/ordlista).

© Copyright Svenska institutet för standarder, Stockholm, Sweden. All rights reserved. The copyright and use of this product is governed by the end-user licence agreement which you automatically will be bound to when using the product. You will find the licence at [sis.se/enduserlicenseagreement](https://www.sis.se/enduserlicenseagreement).

Upplysningar om sakinnehållet i standarden lämnas av Svenska institutet för standarder, telefon 08 - 555 520 00. Standarder kan beställas hos SIS som även lämnar allmänna upplysningar om svensk och utländsk standard.

Standarden är framtagen av kommittén för Press- och formverktyg samt fixturdetaljer, SIS/TK 277.

Har du synpunkter på innehållet i den här standarden, vill du delta i ett kommande revideringsarbete eller vara med och ta fram andra standarder inom området? Gå in på www.sis.se - där hittar du mer information.

Den internationella standarden ISO 9182-4:2020 gäller som svensk standard. Detta dokument innehåller den officiella engelska versionen av ISO 9182-4:2020.

Denna standard ersätter SS-ISO 9182-4:2014, utgåva 1

The International Standard ISO 9182-4:2020 has the status of a Swedish Standard. This document contains the official English version of ISO 9182-4:2020.

This standard supersedes the SS-ISO 9182-4:2014, edition 1

Contents		Page
Foreword		v
1 Scope		1
2 Normative references		1
3 Terms and definitions		1
4 Dimensions		1
5 Material		3
6 Designation		3
Bibliography		5

Foreword

ISO (the International Organization for Standardization) is a worldwide federation of national standards bodies (ISO member bodies). The work of preparing International Standards is normally carried out through ISO technical committees. Each member body interested in a subject for which a technical committee has been established has the right to be represented on that committee. International organizations, governmental and non-governmental, in liaison with ISO, also take part in the work. ISO collaborates closely with the International Electrotechnical Commission (IEC) on all matters of electrotechnical standardization.

The procedures used to develop this document and those intended for its further maintenance are described in the ISO/IEC Directives, Part 1. In particular, the different approval criteria needed for the different types of ISO documents should be noted. This document was drafted in accordance with the editorial rules of the ISO/IEC Directives, Part 2 (see www.iso.org/directives).

Attention is drawn to the possibility that some of the elements of this document may be the subject of patent rights. ISO shall not be held responsible for identifying any or all such patent rights. Details of any patent rights identified during the development of the document will be in the Introduction and/or on the ISO list of patent declarations received (see www.iso.org/patents).

Any trade name used in this document is information given for the convenience of users and does not constitute an endorsement.

For an explanation of the voluntary nature of standards, the meaning of ISO specific terms and expressions related to conformity assessment, as well as information about ISO's adherence to the World Trade Organization (WTO) principles in the Technical Barriers to Trade (TBT), see www.iso.org/iso/foreword.html.

This document was prepared by Technical Committee ISO/TC 29, *Small tools*, Subcommittee SC 8, *Tools for pressing and moulding*.

This third edition cancels and replaces the second edition (ISO 9182-4:2013), which has been technically revised.

The main changes compared to the previous edition are as follows:

- addition of surface roughness indications in [Figure 1](#);
- addition of the dimensioning of the taper of the pillar ([Figure 1](#)) and of the bush ([Figure 2](#));
- updating of the Bibliography.

A list of all parts in the ISO 9182 series can be found on the ISO website.

Any feedback or questions on this document should be directed to the user's national standards body. A complete listing of these bodies can be found at www.iso.org/members.html.

Tools for pressing — Guide pillars —

Part 4: Type C, pillars with taper lead and bush

1 Scope

This document specifies the dimensions and tolerances of guide pillars, type C, with taper lead and bush, intended for use in press tools.

It gives guidance on the materials and specifies the hardness and the designation of guide pillars which meet the requirements of this document.

2 Normative references

The following documents are referred to in the text in such a way that some or all of their content constitutes requirements of this document. For dated references, only the edition cited applies. For undated references, the latest edition of the referenced document (including any amendments) applies.

ISO 6753-1, *Tools for pressing and moulding — Machined plates — Part 1: Machined plates for press tools*

3 Terms and definitions

No terms and definitions are listed in this document.

ISO and IEC maintain terminological databases for use in standardization at the following addresses:

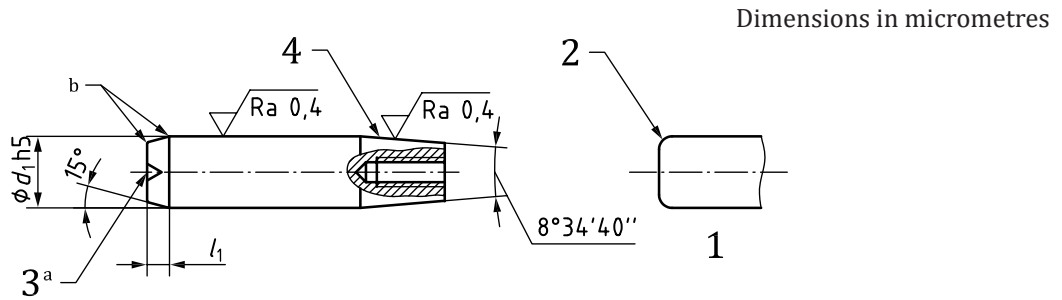
- ISO Online browsing platform: available at <https://www.iso.org/obp>
- IEC Electropedia: available at <http://www.electropedia.org/>

4 Dimensions

The dimensions of guide pillar with taper lead (type C) shall conform to the indications of [Figure 1](#) and [Table 1](#).

The dimensions of the bush for guide pillar with taper lead shall conform to the indications of [Figure 2](#) and [Table 1](#).

The dimensions of the mounting of the bush on the pillar shall conform to the indications of [Figure 3](#) and [Table 1](#).



Key

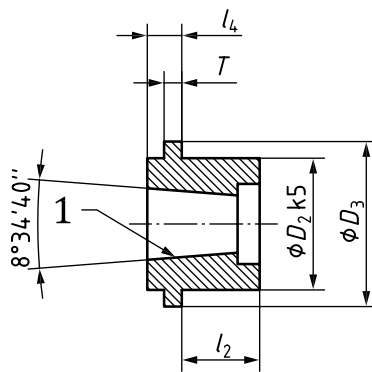
- 1 alternative
- 2 radius
- 3 centres
- 4 taper

NOTE Tolerance classes and limit deviations are defined in ISO 286-2.

a Optional.

b Slightly rounded. The values of the radii are left to the manufacturer's discretion.

Figure 1 — Guide pillar with taper lead



Key

- 1 taper

NOTE Tolerance classes and limit deviations are defined in ISO 286-2.

Figure 2 — Bush for guide pillar with taper lead

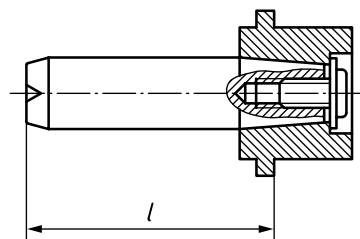


Figure 3 — Mounting of the bush on the pillar