

SVENSK STANDARD

SS-EN 1849-2:2019



Fastställt/Approved: 2019-07-15
Utgåva/Edition: 3
Språk/Language: engelska/English
ICS: 91.100.50

Flexibla tätskikt – Bestämning av tjocklek och vikt per ytenhet – Del 2: Plast- och gummibaserade tätskikt för tak

Flexible sheets for waterproofing – Determination of thickness and mass per unit area – Part 2: Plastics and rubber sheets for roof waterproofing

This preview is downloaded from www.sis.se. Buy the entire standard via <https://www.sis.se/std-80012871>

Standarder får världen att fungera

SIS (Swedish Standards Institute) är en fristående ideell förening med medlemmar från både privat och offentlig sektor. Vi är en del av det europeiska och globala nätverk som utarbetar internationella standarder. Standarder är dokumenterad kunskap utvecklad av framstående aktörer inom industri, näringsliv och samhälle och befrämjar handel över gränser, bidrar till att processer och produkter blir säkrare samt effektiviserar din verksamhet.

Delta och påverka

Som medlem i SIS har du möjlighet att påverka framtida standarder inom ditt område på nationell, europeisk och global nivå. Du får samtidigt tillgång till tidig information om utvecklingen inom din bransch.

Ta del av det färdiga arbetet

Vi erbjuder våra kunder allt som rör standarder och deras tillämpning. Hos oss kan du köpa alla publikationer du behöver – allt från enskilda standarder, tekniska rapporter och standardpaket till handböcker och onlinetjänster. Genom vår webbtjänst e-nav får du tillgång till ett lättnavigerat bibliotek där alla standarder som är aktuella för ditt företag finns tillgängliga. Standarder och handböcker är källor till kunskap. Vi säljer dem.

Utveckla din kompetens och lyckas bättre i ditt arbete

Hos SIS kan du gå öppna eller företagsinterna utbildningar kring innehåll och tillämpning av standarder. Genom vår närhet till den internationella utvecklingen och ISO får du rätt kunskap i rätt tid, direkt från källan. Med vår kunskap om standarders möjligheter hjälper vi våra kunder att skapa verklig nytta och lönsamhet i sina verksamheter.

Vill du veta mer om SIS eller hur standarder kan effektivisera din verksamhet är du välkommen in på www.sis.se eller ta kontakt med oss på tel 08-555 523 00.



Standards make the world go round

SIS (Swedish Standards Institute) is an independent non-profit organisation with members from both the private and public sectors. We are part of the European and global network that draws up international standards. Standards consist of documented knowledge developed by prominent actors within the industry, business world and society. They promote cross-border trade, they help to make processes and products safer and they streamline your organisation.

Take part and have influence

As a member of SIS you will have the possibility to participate in standardization activities on national, European and global level. The membership in SIS will give you the opportunity to influence future standards and gain access to early stage information about developments within your field.

Get to know the finished work

We offer our customers everything in connection with standards and their application. You can purchase all the publications you need from us - everything from individual standards, technical reports and standard packages through to manuals and online services. Our web service e-nav gives you access to an easy-to-navigate library where all standards that are relevant to your company are available. Standards and manuals are sources of knowledge. We sell them.

Increase understanding and improve perception

With SIS you can undergo either shared or in-house training in the content and application of standards. Thanks to our proximity to international development and ISO you receive the right knowledge at the right time, direct from the source. With our knowledge about the potential of standards, we assist our customers in creating tangible benefit and profitability in their organisations.

If you want to know more about SIS, or how standards can streamline your organisation, please visit www.sis.se or contact us on phone +46 (0)8-555 523 00



Europastandarden EN 1849-2:2019 gäller som svensk standard. Detta dokument innehåller den officiella engelska versionen av EN 1849-2:2019.

Denna standard ersätter SS-EN 1849-2:2009, utgåva 2.

The European Standard EN 1849-2:2019 has the status of a Swedish Standard. This document contains the official version of EN 1849-2:2019.

This standard supersedes the SS-EN 1849-2:2009, edition 2.

© Copyright/Upphovsrätten till denna produkt tillhör SIS, Swedish Standards Institute, Stockholm, Sverige. Användningen av denna produkt regleras av slutanvändarlicensen som återfinns i denna produkt, se standardens sista sidor.

© Copyright SIS, Swedish Standards Institute, Stockholm, Sweden. All rights reserved. The use of this product is governed by the end-user licence for this product. You will find the licence in the end of this document.

Upplysningar om sakinnehållet i standarden lämnas av SIS, Swedish Standards Institute, telefon 08-555 520 00. Standarder kan beställas hos SIS som även lämnar allmänna upplysningar om svensk och utländsk standard.

Information about the content of the standard is available from the Swedish Standards Institute (SIS), telephone +46 8 555 520 00. Standards may be ordered from SIS, who can also provide general information about Swedish and foreign standards.

Denna standard är framtagen av kommittén för Tätskikt, SIS/TK 177.

Har du synpunkter på innehållet i den här standarden, vill du delta i ett kommande revideringsarbete eller vara med och ta fram andra standarder inom området? Gå in på www.sis.se - där hittar du mer information.

EUROPEAN STANDARD

EN 1849-2

NORME EUROPÉENNE

EUROPÄISCHE NORM

July 2019

ICS 91.100.50

Supersedes EN 1849-2:2009

English Version

Flexible sheets for waterproofing - Determination of thickness and mass per unit area - Part 2: Plastics and rubber sheets for roof waterproofing

Feuilles souples d'étanchéité - Détermination de l'épaisseur et de la masse surfacique - Partie 2 : Feuilles d'étanchéité de toiture plastiques et élastomères

Abdichtungsbahnen - Bestimmung der Dicke und der flächenbezogenen Masse - Teil 2: Kunststoff- und Elastomerbahnen für Dachabdichtungen

This European Standard was approved by CEN on 22 April 2019.

CEN members are bound to comply with the CEN/CENELEC Internal Regulations which stipulate the conditions for giving this European Standard the status of a national standard without any alteration. Up-to-date lists and bibliographical references concerning such national standards may be obtained on application to the CEN-CENELEC Management Centre or to any CEN member.

This European Standard exists in three official versions (English, French, German). A version in any other language made by translation under the responsibility of a CEN member into its own language and notified to the CEN-CENELEC Management Centre has the same status as the official versions.

CEN members are the national standards bodies of Austria, Belgium, Bulgaria, Croatia, Cyprus, Czech Republic, Denmark, Estonia, Finland, Former Yugoslav Republic of Macedonia, France, Germany, Greece, Hungary, Iceland, Ireland, Italy, Latvia, Lithuania, Luxembourg, Malta, Netherlands, Norway, Poland, Portugal, Romania, Serbia, Slovakia, Slovenia, Spain, Sweden, Switzerland, Turkey and United Kingdom.



EUROPEAN COMMITTEE FOR STANDARDIZATION
COMITÉ EUROPÉEN DE NORMALISATION
EUROPÄISCHES KOMITEE FÜR NORMUNG

CEN-CENELEC Management Centre: Rue de la Science 23, B-1040 Brussels

SS-EN 1849-2:2019 (E)

Contents	Page
European foreword	3
Introduction	4
1 Scope	5
2 Normative references	5
3 Terms and definitions	5
4 Sampling	7
5 Determination of thickness	8
5.1 Principle	8
5.2 Apparatus	8
5.2.1 Mechanical measuring device	8
5.2.2 Optical measuring device	8
5.3 Test specimens	8
5.4 Procedure	9
5.4.1 Mechanical measurement	9
5.4.2 Optical measurement	10
5.5 Expression of results	10
6 Determination of mass per unit area	10
6.1 Principle	10
6.2 Apparatus	10
6.3 Test specimens	10
6.4 Procedure	10
6.5 Expression of results	10
7 Test report	10
Annex A (informative) Example of the cut cross-section of a fleece backed membrane	12

European foreword

This document (EN 1849-2:2019) has been prepared by Technical Committee CEN/TC 254 "Flexible sheets for waterproofing", the secretariat of which is held by NEN.

This European Standard shall be given the status of a national standard, either by publication of an identical text or by endorsement, at the latest by January 2020, and conflicting national standards shall be withdrawn at the latest by January 2020.

Attention is drawn to the possibility that some of the elements of this document may be the subject of patent rights. CEN shall not be held responsible for identifying any or all such patent rights.

This document supersedes EN 1849-2:2009.

Compared with EN 1849-2:2009 the following changes have been made in EN 1849-2:2019:

- the "overall thickness" and "effective thickness" has been replaced by:
 - mechanical effective thickness (d_{effm});
 - optical effective thickness (d_{effo});
 - mechanical overall thickness (d_m);
 - optical overall thickness (d_o);
- Figure 1 and Figure 2 have been replaced by new Figure 1 a-d;
- Table 1 in 5.3 has been removed;
- Figure 3 has been updated;
- a new Figure 2 has been introduced in 5.2.1;
- Figure A.1 has been replaced by a new one.

This document has been prepared under a mandate given to CEN by the European Commission and the European Free Trade Association, and supports essential requirements of EU Directive(s).

According to the CEN-CENELEC Internal Regulations, the national standards organisations of the following countries are bound to implement this European Standard: Austria, Belgium, Bulgaria, Croatia, Cyprus, Czech Republic, Denmark, Estonia, Finland, Former Yugoslav Republic of Macedonia, France, Germany, Greece, Hungary, Iceland, Ireland, Italy, Latvia, Lithuania, Luxembourg, Malta, Netherlands, Norway, Poland, Portugal, Romania, Serbia, Slovakia, Slovenia, Spain, Sweden, Switzerland, Turkey and the United Kingdom.

SS-EN 1849-2:2019 (E)

Introduction

This European Standard is intended for characterisation of plastic and rubber sheets as manufactured or supplied before use. This test method relates exclusively to products or to their components where appropriate, and not to waterproofing membrane systems composed of such products and installed in the works.

This test is intended to be used in conjunction with European Standard "Definition and Characteristics" for plastic and rubber sheets for roof waterproofing (EN 13956).

1 Scope

This document specifies methods for the determination of the thickness and mass per unit area of plastic and rubber sheets for roof waterproofing.

2 Normative references

The following documents are referred to in the text in such a way that some or all of their content constitutes requirements of this document. For dated references, only the edition cited applies. For undated references, the latest edition of the referenced document (including any amendments) applies.

EN 13416, *Flexible sheets for waterproofing — Bitumen, plastic and rubber sheets for roof waterproofing — Rules for sampling*

3 Terms and definitions

For the purposes of this document, the following terms and definitions apply.

ISO and IEC maintain terminological databases for use in standardization at the following addresses:

- IEC Electropedia: available at <http://www.electropedia.org/>
- ISO Online browsing platform: available at <http://www.iso.org/obp>

3.1

surface texture

textured pattern on one or both surfaces of the sheet together creating a difference between the effective and overall thickness not exceeding 0,15 mm

Note 1 to entry: See Figure 1 a) key 8.

3.2

surface profile (surface structure)

raised area on the surface of the sheet creating a difference between the effective and overall thickness exceeding 0,15 mm

Note 1 to entry: See Figure 1 c) key 9.

3.3

mechanical effective thickness (d_{effm})

thickness of the sheet providing the waterproofing measured with a mechanical measuring device

3.4

backing

layer of woven or non-woven fabric of synthetic or mineral fibres or other materials, fixed to the bottom of the sheet

Note 1 to entry: See Figure 1 b) key 7.

3.5

optical effective thickness (d_{effo})

thickness of the sheet providing the waterproofing measured with an optical measuring device

SS-EN 1849-2:2019 (E)

Note 1 to entry: The overall thickness is an indication to decide which method of thickness measurement is needed. If the optical method is used for the measurement the result of the effective thickness is the optical effective thickness.

3.6

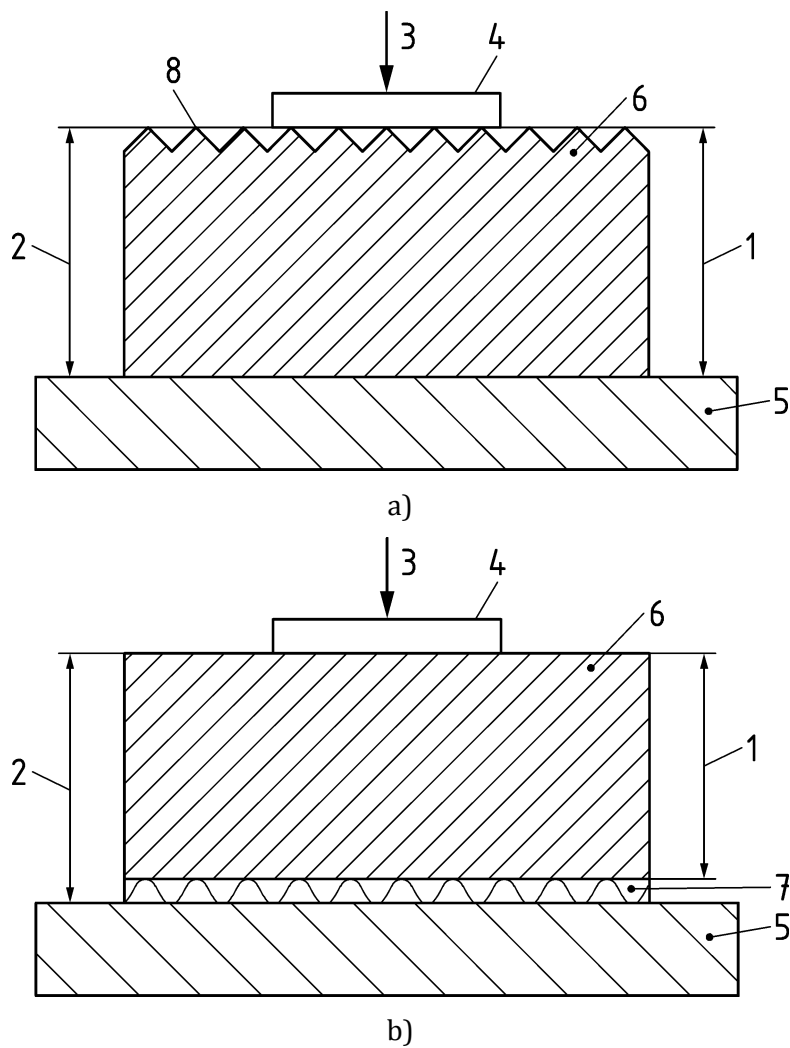
mechanical overall thickness (d_m)

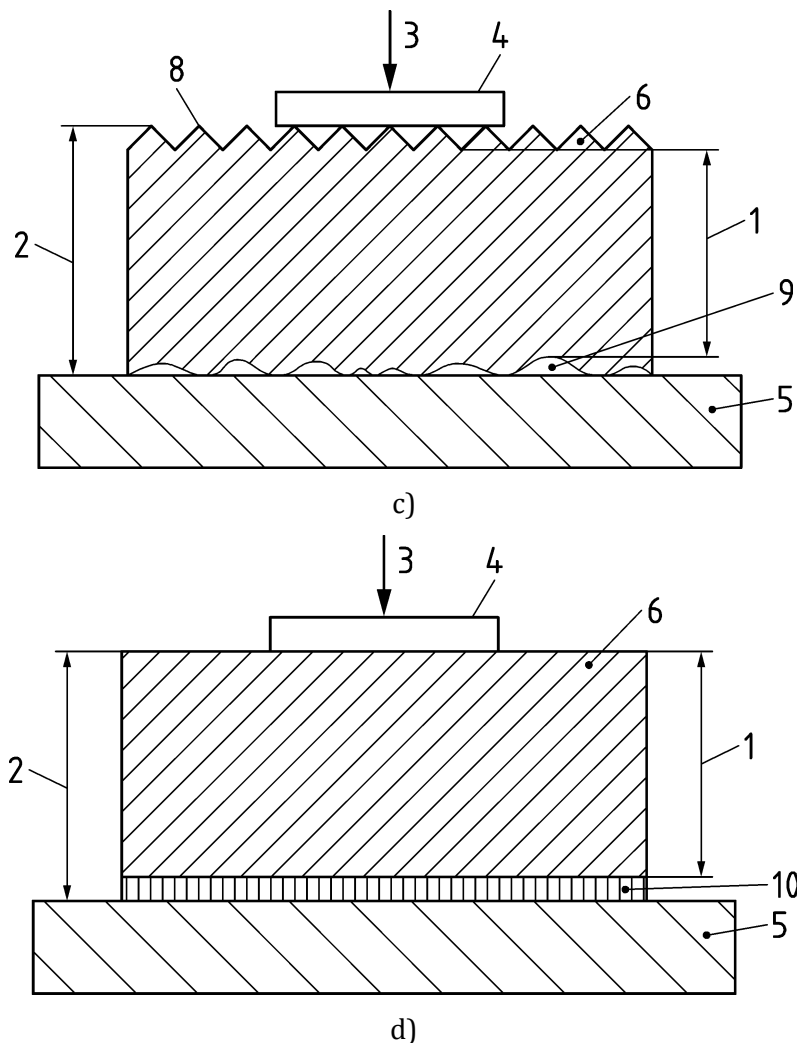
thickness of the sheet measured with a mechanical measuring device

3.7

optical overall thickness (d_o)

thickness of the sheet measured with an optical measuring device





Key

- 1 optical or mechanical effective thickness d_{effo} or d_{effm} (see 3.3 and 3.5)
- 2 optical or mechanical overall thickness d_o or d_m (see 3.6 and 3.7)
- 3 pressure: (20 ± 10) kPa
- 4 measuring head: $(10 \pm 0,05)$ mm diameter
- 5 planar measuring surface
- 6 test specimen
- 7 backing with hindrance (see 3.4 and 5.1)
- 8 surface texture not exceeding 0,15 mm in total
- 9 surface profile (structure) exceeding 0,15 mm in total
- 10 not waterproofing layer (e.g. adhesive layer or protection foil)

Figure 1 — Surface structures and type of measurement

4 Sampling

Test samples shall be taken in accordance with EN 13416.