

# SVENSK STANDARD

## SS-ISO 18785-2:2019

Fastställt/Approved: 2019-01-10  
Utgåva/Edition: 1  
Språk/Language: engelska/English  
ICS: 25.160.40

---

### **Friktionsomrörningspunktsvetsning – Aluminium – Del 2: Utformning av svetsar (ISO 18785-2:2018, IDT)**

### **Friction stir spot welding – Aluminium – Part 2: Design of weld joints (ISO 18785-2:2018, IDT)**

This preview is downloaded from [www.sis.se](http://www.sis.se). Buy the entire standard via <https://www.sis.se/std-80009282>

# Standarder får världen att fungera

*SIS (Swedish Standards Institute) är en fristående ideell förening med medlemmar från både privat och offentlig sektor. Vi är en del av det europeiska och globala nätverk som utarbetar internationella standarder. Standarder är dokumenterad kunskap utvecklad av framstående aktörer inom industri, näringsliv och samhälle och befrämjar handel över gränser, bidrar till att processer och produkter blir säkrare samt effektiviserar din verksamhet.*

## Delta och påverka

Som medlem i SIS har du möjlighet att påverka framtida standarder inom ditt område på nationell, europeisk och global nivå. Du får samtidigt tillgång till tidig information om utvecklingen inom din bransch.

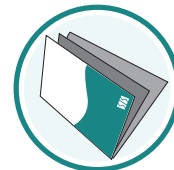
## Ta del av det färdiga arbetet

Vi erbjuder våra kunder allt som rör standarder och deras tillämpning. Hos oss kan du köpa alla publikationer du behöver – allt från enskilda standarder, tekniska rapporter och standardpaket till handböcker och onlinetjänster. Genom vår webbtjänst e-nav får du tillgång till ett lättnavigerat bibliotek där alla standarder som är aktuella för ditt företag finns tillgängliga. Standarder och handböcker är källor till kunskap. Vi säljer dem.

## Utveckla din kompetens och lyckas bättre i ditt arbete

Hos SIS kan du gå öppna eller företagsinterna utbildningar kring innehåll och tillämpning av standarder. Genom vår närhet till den internationella utvecklingen och ISO får du rätt kunskap i rätt tid, direkt från källan. Med vår kunskap om standarders möjligheter hjälper vi våra kunder att skapa verklig nytta och lönsamhet i sina verksamheter.

**Vill du veta mer om SIS eller hur standarder kan effektivisera din verksamhet är du välkommen in på [www.sis.se](http://www.sis.se) eller ta kontakt med oss på tel 08-555 523 00.**



# Standards make the world go round

*SIS (Swedish Standards Institute) is an independent non-profit organisation with members from both the private and public sectors. We are part of the European and global network that draws up international standards. Standards consist of documented knowledge developed by prominent actors within the industry, business world and society. They promote cross-border trade, they help to make processes and products safer and they streamline your organisation.*

## Take part and have influence

As a member of SIS you will have the possibility to participate in standardization activities on national, European and global level. The membership in SIS will give you the opportunity to influence future standards and gain access to early stage information about developments within your field.

## Get to know the finished work

We offer our customers everything in connection with standards and their application. You can purchase all the publications you need from us - everything from individual standards, technical reports and standard packages through to manuals and online services. Our web service e-nav gives you access to an easy-to-navigate library where all standards that are relevant to your company are available. Standards and manuals are sources of knowledge. We sell them.

## Increase understanding and improve perception

With SIS you can undergo either shared or in-house training in the content and application of standards. Thanks to our proximity to international development and ISO you receive the right knowledge at the right time, direct from the source. With our knowledge about the potential of standards, we assist our customers in creating tangible benefit and profitability in their organisations.

**If you want to know more about SIS, or how standards can streamline your organisation, please visit [www.sis.se](http://www.sis.se) or contact us on phone +46 (0)8-555 523 00**



Den internationella standarden ISO 18785-2:2018 gäller som svensk standard. Detta dokument innehåller den officiella engelska versionen av ISO 18785-2:2018.

The International Standard ISO 18785-2:2018 has the status of a Swedish Standard. This document contains the official English version of ISO 18785-2:2018.

© Copyright/Upphovsrätten till denna produkt tillhör SIS, Swedish Standards Institute, Stockholm, Sverige. Användningen av denna produkt regleras av slutanvändarlicensen som återfinns i denna produkt, se standardens sista sidor.

© Copyright SIS, Swedish Standards Institute, Stockholm, Sweden. All rights reserved. The use of this product is governed by the end-user licence for this product. You will find the licence in the end of this document.

*Upplysningar om sakinnehållet i standarden lämnas av SIS, Swedish Standards Institute, telefon 08-555 520 00. Standarder kan beställas hos SIS som även lämnar allmänna upplysningar om svensk och utländsk standard.*

*Information about the content of the standard is available from the Swedish Standards Institute (SIS), telephone +46 8 555 520 00. Standards may be ordered from SIS, who can also provide general information about Swedish and foreign standards.*

Denna standard är framtagen av kommittén för Svetsteknik, SIS/TK 134.

Har du synpunkter på innehållet i den här standarden, vill du delta i ett kommande revideringsarbete eller vara med och ta fram andra standarder inom området? Gå in på [www.sis.se](https://www.sis.se) - där hittar du mer information.

# Contents

Page

<b>Foreword</b> .....	<b>v</b>
<b>Introduction</b> .....	<b>vi</b>
<b>1 Scope</b> .....	<b>7</b>
<b>2 Normative references</b> .....	<b>7</b>
<b>3 Terms and definitions</b> .....	<b>7</b>
<b>4 Design requirements</b> .....	<b>7</b>
4.1 Documentation .....	7
4.2 Lap joint design .....	7
4.3 Additional information.....	10
4.3.1 Essential information .....	10
4.3.2 Spot weld variables .....	10
4.3.3 Inspection.....	10

## Foreword

ISO (the International Organization for Standardization) is a worldwide federation of national standards bodies (ISO member bodies). The work of preparing International Standards is normally carried out through ISO technical committees. Each member body interested in a subject for which a technical committee has been established has the right to be represented on that committee. International organizations, governmental and non-governmental, in liaison with ISO, also take part in the work. ISO collaborates closely with the International Electrotechnical Commission (IEC) on all matters of electrotechnical standardization.

The procedures used to develop this document and those intended for its further maintenance are described in the ISO/IEC Directives, Part 1. In particular, the different approval criteria needed for the different types of ISO documents should be noted. This document was drafted in accordance with the editorial rules of the ISO/IEC Directives, Part 2 (see [www.iso.org/directives](http://www.iso.org/directives)).

Attention is drawn to the possibility that some of the elements of this document may be the subject of patent rights. ISO shall not be held responsible for identifying any or all such patent rights. Details of any patent rights identified during the development of the document will be in the Introduction and/or on the ISO list of patent declarations received (see [www.iso.org/patents](http://www.iso.org/patents)).

Any trade name used in this document is information given for the convenience of users and does not constitute an endorsement.

For an explanation of the voluntary nature of standards, the meaning of ISO specific terms and expressions related to conformity assessment, as well as information about ISO's adherence to the World Trade Organization (WTO) principles in the Technical Barriers to Trade (TBT) see [www.iso.org/iso/foreword.html](http://www.iso.org/iso/foreword.html).

This document was prepared by the IIW, *International Institute of Welding*, Commission III, *Resistance welding, solid state welding and allied joining processes*.

Any feedback, question or request for official interpretation related to any aspect of this document should be directed to IIW via your national standards body. A complete listing of these bodies can be found at [www.iso.org/members.html](http://www.iso.org/members.html).

A list of all parts in the ISO 18785 series can be found on the ISO website.

## Introduction

Welding processes are widely used in the fabrication of engineered structures. During the second half of the twentieth century, fusion welding processes, wherein fusion is obtained by the melting of parent material and usually a filler metal, dominated the welding of large structures. In 1991, friction stir welding (FSW), which is carried out entirely in the solid phase (no melting), was invented.

Friction stir spot welding (FSSW) processes are spot-like variants of the FSW process. Unlike FSW, there is minimal or no traverse motion of the tool. In basic FSSW, the joint is created by plunging a rotating tool into the work piece and retracting the tool out of the overlapping sheets. Other FSSW variants include additional tool movements. Frictional heat is generated from the contact between the tool and the material to be welded resulting in softening of this material. The softened material is stirred to form a metallurgical connection which is aided by the forge action applied by the tool shoulder contacting the upper sheet surface.

The increasing use of FSSW has created the need for a FSSW standard in order to ensure that welding is carried out in the most effective way and that appropriate control is exercised over all aspects of the operation. The ISO 18785 series focuses on the FSSW of aluminium because, at the time this document was developed, the majority of commercial applications for FSW involved aluminium. Examples include railway cars, consumer products, food processing equipment, automotive components, aerospace structures, and marine vessels.

To be effective, welded structures should be free from serious problems in production and in service. To achieve that goal, it is necessary to provide controls from the design phase through material selection, fabrication, and inspection. For example, poor design can create serious and costly difficulties in the workshop, on site, or in service. Incorrect material selection can result in welding problems such as cracking. Welding procedures need to be correctly formulated and approved to avoid imperfections. To ensure the fabrication of a quality product, management needs to understand the sources of potential trouble and introduce appropriate quality and inspection procedures, and supervision should be implemented to ensure that the specified quality is achieved.

# Friction stir spot welding — Aluminium —

## Part 2: Design of weld joints

### 1 Scope

This document specifies the design requirements and provides design guidelines for friction stir spot welding.

In this document, the term "aluminium" refers to aluminium and its alloys.

### 2 Normative references

The following documents are referred to in the text in such a way that some or all of their content constitutes requirements of this document. For dated references, only the edition cited applies. For undated references, the latest edition of the referenced document (including any amendments) applies.

ISO 2553, *Welding and allied processes — Symbolic representation on drawings — Welded joints*

ISO 18785-1, *Friction stir spot welding — Aluminium — Part 1: Vocabulary*

ISO 18785-5, *Friction stir spot welding — Aluminium — Part 5: Quality and inspection requirements*

### 3 Terms and definitions

For the purposes of this document, the terms and definitions given in ISO 18785-1 apply.

ISO and IEC maintain terminological databases for use in standardization at the following addresses:

- ISO Online browsing platform: available at <https://www.iso.org/obp>
- IEC Electropedia: available at <http://www.electropedia.org/>

### 4 Design requirements

#### 4.1 Documentation

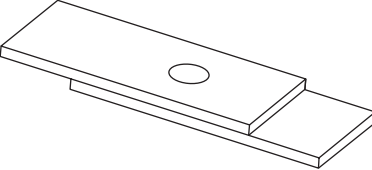
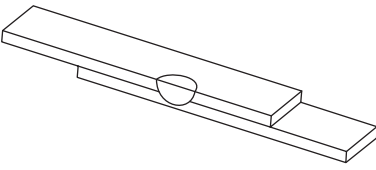
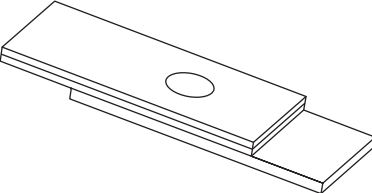
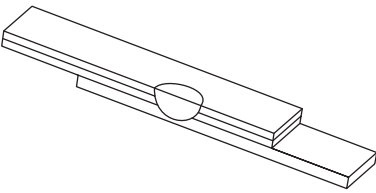
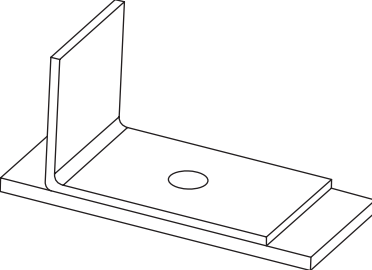
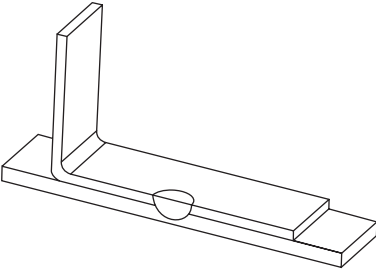
The welded assembly shall be designed in accordance with defined requirements that support the end use of the product. Documentation, e.g. in the form of an engineering drawing, shall clearly define the essential information of the FSSW joint and any special requirements, such as fracture critical, durability critical, mission critical, or safety critical that are imposed over and above the general requirements. Essential process controls shall be defined to substantiate that all design requirements can be met by the welds that were produced in accordance with the qualified welding procedure specification (WPS) and inspection requirements.

Welding symbols shall be in accordance with ISO 2553.

#### 4.2 Lap joint design

The design of the welded assembly shall take into account the necessary material property data. Some examples of weld geometries and designs are shown in [Table 1](#).

**Table 1 — Examples of weld geometries and designs for FSSW lap joints**

Joint design	Full joint	Welded cross section
Basic lap		
Multi-layer lap		
L-stiffener		
Multi-layer L-stiffener	