

SVENSK STANDARD

SS-EN 13032-5:2018



Fastställt/Approved: 2018-11-12
Utgåva/Edition: 1
Språk/Language: engelska/English
ICS: 12.020;93.080.40

Ljus och belysning – Mätning och presentation av fotometriska data för ljuskällor och ljusarmaturer – Del 5: Presentation av data för vägbelysning

Light and lighting – Measurement and presentation of photometric data of lamps and luminaires – Part 5: Presentation of data for luminaires used for road lighting



Standarder får världen att fungera

SIS (Swedish Standards Institute) är en fristående ideell förening med medlemmar från både privat och offentlig sektor. Vi är en del av det europeiska och globala nätverk som utarbetar internationella standarder. Standarder är dokumenterad kunskap utvecklad av framstående aktörer inom industri, näringsliv och samhälle och befrämjar handel över gränser, bidrar till att processer och produkter blir säkrare samt effektiviserar din verksamhet.

Delta och påverka

Som medlem i SIS har du möjlighet att påverka framtida standarder inom ditt område på nationell, europeisk och global nivå. Du får samtidigt tillgång till tidig information om utvecklingen inom din bransch.

Ta del av det färdiga arbetet

Vi erbjuder våra kunder allt som rör standarder och deras tillämpning. Hos oss kan du köpa alla publikationer du behöver – allt från enskilda standarder, tekniska rapporter och standardpaket till handböcker och onlinetjänster. Genom vår webbtjänst e-nav får du tillgång till ett lättnavigerat bibliotek där alla standarder som är aktuella för ditt företag finns tillgängliga. Standarder och handböcker är källor till kunskap. Vi säljer dem.

Utveckla din kompetens och lyckas bättre i ditt arbete

Hos SIS kan du gå öppna eller företagsinterna utbildningar kring innehåll och tillämpning av standarder. Genom vår närhet till den internationella utvecklingen och ISO får du rätt kunskap i rätt tid, direkt från källan. Med vår kunskap om standarders möjligheter hjälper vi våra kunder att skapa verklig nytta och lönsamhet i sina verksamheter.

Vill du veta mer om SIS eller hur standarder kan effektivisera din verksamhet är du välkommen in på www.sis.se eller ta kontakt med oss på tel 08-555 523 00.



Standards make the world go round

SIS (Swedish Standards Institute) is an independent non-profit organisation with members from both the private and public sectors. We are part of the European and global network that draws up international standards. Standards consist of documented knowledge developed by prominent actors within the industry, business world and society. They promote cross-border trade, they help to make processes and products safer and they streamline your organisation.

Take part and have influence

As a member of SIS you will have the possibility to participate in standardization activities on national, European and global level. The membership in SIS will give you the opportunity to influence future standards and gain access to early stage information about developments within your field.

Get to know the finished work

We offer our customers everything in connection with standards and their application. You can purchase all the publications you need from us - everything from individual standards, technical reports and standard packages through to manuals and online services. Our web service e-nav gives you access to an easy-to-navigate library where all standards that are relevant to your company are available. Standards and manuals are sources of knowledge. We sell them.

Increase understanding and improve perception

With SIS you can undergo either shared or in-house training in the content and application of standards. Thanks to our proximity to international development and ISO you receive the right knowledge at the right time, direct from the source. With our knowledge about the potential of standards, we assist our customers in creating tangible benefit and profitability in their organisations.

If you want to know more about SIS, or how standards can streamline your organisation, please visit www.sis.se or contact us on phone +46 (0)8-555 523 00



Europastandarden EN 13032-5:2018 gäller som svensk standard. Detta dokument innehåller den officiella engelska versionen av EN 13032-5:2018.

The European Standard EN 13032-5:2018 has the status of a Swedish Standard. This document contains the official version of EN 13032-5:2018.

© Copyright/Upphovsrätten till denna produkt tillhör SIS, Swedish Standards Institute, Stockholm, Sverige. Användningen av denna produkt regleras av slutanvändarlicensen som återfinns i denna produkt, se standardens sista sidor.

© Copyright SIS, Swedish Standards Institute, Stockholm, Sweden. All rights reserved. The use of this product is governed by the end-user licence for this product. You will find the licence in the end of this document.

Upplysningar om sakinnehållet i standarden lämnas av SIS, Swedish Standards Institute, telefon 08-555 520 00. Standarder kan beställas hos SIS som även lämnar allmänna upplysningar om svensk och utländsk standard.

Information about the content of the standard is available from the Swedish Standards Institute (SIS), telephone +46 8 555 520 00. Standards may be ordered from SIS, who can also provide general information about Swedish and foreign standards.

Denna standard är framtagen av kommittén för Ljus och belysning, SIS/TK 380/AG 03.

Har du synpunkter på innehållet i den här standarden, vill du delta i ett kommande revideringsarbete eller vara med och ta fram andra standarder inom området? Gå in på www.sis.se - där hittar du mer information.

EUROPEAN STANDARD

EN 13032-5

NORME EUROPÉENNE

EUROPÄISCHE NORM

November 2018

ICS 93.080.40

English Version

Light and lighting - Measurement and presentation of
photometric data of lamps and luminaires - Part 5:
Presentation of data for luminaires used for road lighting

Lumière et éclairage - Mesurage et présentation des
données photométriques des lampes et des luminaires
- Partie 5 : Présentation des données relatives aux
luminaires utilisés pour l'éclairage public

Licht und Beleuchtung - Messung und Darstellung
photometrischer Daten von Lampen und Leuchten -
Teil 5: Darstellung von Daten von Leuchten für den
Einsatz in der Straßenbeleuchtung

This European Standard was approved by CEN on 18 June 2018.

CEN members are bound to comply with the CEN/CENELEC Internal Regulations which stipulate the conditions for giving this European Standard the status of a national standard without any alteration. Up-to-date lists and bibliographical references concerning such national standards may be obtained on application to the CEN-CENELEC Management Centre or to any CEN member.

This European Standard exists in three official versions (English, French, German). A version in any other language made by translation under the responsibility of a CEN member into its own language and notified to the CEN-CENELEC Management Centre has the same status as the official versions.

CEN members are the national standards bodies of Austria, Belgium, Bulgaria, Croatia, Cyprus, Czech Republic, Denmark, Estonia, Finland, Former Yugoslav Republic of Macedonia, France, Germany, Greece, Hungary, Iceland, Ireland, Italy, Latvia, Lithuania, Luxembourg, Malta, Netherlands, Norway, Poland, Portugal, Romania, Serbia, Slovakia, Slovenia, Spain, Sweden, Switzerland, Turkey and United Kingdom.



EUROPEAN COMMITTEE FOR STANDARDIZATION
COMITÉ EUROPÉEN DE NORMALISATION
EUROPÄISCHES KOMITEE FÜR NORMUNG

CEN-CENELEC Management Centre: Rue de la Science 23, B-1040 Brussels

Contents	Page
European foreword.....	3
Introduction.....	4
1 Scope	5
2 Normative references	5
3 Terms and definitions.....	5
4 Utilances road lighting and utilization factor road lighting.....	6
4.1 General	6
4.2 General assumptions.....	6
4.3 Calculation of utilance by interpolation in an utilance table	7
4.4 Utilance road lighting table	8
5 Application.....	10
5.1 General	10
5.2 Accumulated utilances road lighting.....	10
5.3 Limitations	11
Annex A (informative) Determination of edge illuminance ratio	12
Annex ZA (informative) Relationship between this European Standard and the ecodesign requirements of Commission Regulation (EC) No 245/2009, as amended by Regulation (EU) No 347/2010, aimed to be covered	16
Bibliography	18

European foreword

This document (EN 13032-5:2018) has been prepared by Technical Committee CEN/TC 169 “Light and Lighting”, the secretariat of which is held by DIN.

This European Standard shall be given the status of a national standard, either by publication of an identical text or by endorsement, at the latest by May 2019, and conflicting national standards shall be withdrawn at the latest by May 2019.

Attention is drawn to the possibility that some of the elements of this document may be the subject of patent rights. CEN shall not be held responsible for identifying any or all such patent rights.

This document has been prepared under a standardization request given to CEN by the European Commission and the European Free Trade Association, and supports essential requirements of Commission Regulation (EC) No 245/2009, as amended by Regulation (EU) No 347/2010.

For relationship with Commission Regulation (EC) No 245/2009, as amended by Regulation (EU) No 347/2010, see informative Annex ZA, which is an integral part of this document.

According to the CEN-CENELEC Internal Regulations, the national standards organisations of the following countries are bound to implement this European Standard: Austria, Belgium, Bulgaria, Croatia, Cyprus, Czech Republic, Denmark, Estonia, Finland, Former Yugoslav Republic of Macedonia, France, Germany, Greece, Hungary, Iceland, Ireland, Italy, Latvia, Lithuania, Luxembourg, Malta, Netherlands, Norway, Poland, Portugal, Romania, Serbia, Slovakia, Slovenia, Spain, Sweden, Switzerland, Turkey and the United Kingdom.

SS-EN 13032-5:2018 (E)

Introduction

The Eco-design Directive 2009/125/EC requires a reduction of energy consumption of fluorescent lamps without integrated ballast, for high intensity discharge lamps, for LED light sources, and for ballasts and luminaires able to operate such lamps and light sources.

Utilance is a measurement of the efficiency of the luminous intensity distribution of a luminaire to spread its luminous flux onto a specified surface provided other quality requirements of EN 13201 series are met.

There are many lighting solutions that can satisfy the road lighting criteria specified in EN 13201-2. To design these solutions, photometric data of the equipment is required.

The use and application of utilance can serve as a tool for the pre-selection of adequate luminaires to fulfil the lighting requirements of EN 13201-2.

The knowledge of the utilance road lighting is needed for the calculation of the installation luminous efficacy as described in EN 13201-5.

This document specifies the presentation of tables of utilances and utilization factors of luminaires used for road lighting.

Utilance is used in place of utilization factors because it can be applied to luminaires with replaceable or non-replaceable lamps/light sources.

1 Scope

This document defines the presentation of utilances or utilization factors respectively for luminaires used for road lighting.

2 Normative references

The following documents are referred to in the text in such a way that some or all of their content constitutes requirements of this document. For dated references, only the edition cited applies. For undated references, the latest edition of the referenced document (including any amendments) applies.

EN 12665, *Light and lighting — Basic terms and criteria for specifying lighting requirements*

EN 13201-2, *Road lighting — Part 2: Performance requirements*

EN 13201-3, *Road lighting — Part 3: Calculation of performance*

EN 13201-5, *Road lighting — Part 5: Energy performance indicators*

3 Terms and definitions

For the purposes of this document, the terms and definitions given in EN 12665 and the following apply.

ISO and IEC maintain terminological databases for use in standardization at the following addresses:

- IEC Electropedia: available at <http://www.electropedia.org/>
- ISO Online browsing platform: available at <http://www.iso.org/obp>

3.1

utilization factor (of an installation, for a reference area)

F_U

ratio of the luminous flux received by the reference area to the sum of the individual luminous fluxes of the lamps /light sources of the installation

3.2

utilance (of an installation, for a reference area)

U

ratio of the luminous flux received by the reference area to the sum of the individual total fluxes of the luminaires of the installation

3.3

utilization factor road lighting

$F_{U,rl}$

ratio of the luminous flux received by one or more parallel strips along the road to the sum of the individual total fluxes of the lamps / light sources of the installation

Note 1 to entry: “Along the road” is considered parallel to that of the kerb following in the same direction as any adjacent luminaires.

3.4

utilance road lighting

U_{rl}

ratio of the luminous flux received by one or more parallel strips along the road to the sum of the individual total fluxes of the luminaires of the installation

SS-EN 13032-5:2018 (E)

Note 1 to entry: “Along the road” is considered parallel to that of the kerb following in the same direction as any adjacent luminaires.

4 Utilances road lighting and utilization factor road lighting

4.1 General

In this standard the average illuminance on a reference area, a longitudinal strip of a road, representing, for example, the carriageway, a single lane, a cycle path, or a footpath, can be calculated as:

$$\bar{E} = U_{rl} \cdot f_M \cdot \phi_{Lum} \cdot W^{-1} \cdot S^{-1} \quad (1)$$

where

\bar{E} is the maintained average illuminance in lx on the strip under consideration;

U_{rl} is the utilance road lighting;

f_M is the overall maintenance factor;

ϕ_{Lum} is the luminaire luminous flux in lm;

W is the width of reference area, in m;

S is the luminaire spacing in m.

NOTE If the luminaire luminous flux is not known it can be determined from the knowledge of the total luminous flux of the light sources in the luminaire and the light output ratio of the luminaire.

The utilance road lighting U_{rl} (see Figure 2) is given by the ratio of the luminous flux emitted by the luminaire within a specified solid angle to the total luminous flux emitted by the same luminaire, whereas the utilization factor road lighting $F_{u,rl}$ is given by the ratio of the luminous flux emitted by the luminaire within a specified solid angle to the total luminous flux of the light source(s) in the same luminaire. The utilization factor road lighting can be expressed as utilance road lighting multiplied by the light output ratio:

$$F_{u,rl} = U_{rl} \cdot R_{LO} \quad (2)$$

where

R_{LO} is the light output ratio (of a luminaire).

The utilance can be derived from the luminous intensity distribution of the luminaire (measured according to EN 13032-1 or EN 13032-4, including uncertainties) and should be provided in an appropriate format (see example in Table 1).

4.2 General assumptions

The tables are applicable for regular arrangements with constant overhang and mounting height on straight sections of roads.

The luminous intensity distribution of the luminaire is part of the basic data needed for installation performance calculations. This data should be given for luminaires used in road lighting in the format specified in EN 13201-3.

With the photometric centre of luminaire as origin and the reference area of the road between two lines parallel to its axis (which extends in principle from $-\infty$ to $+\infty$) a solid angle is defined. The position of the

two circumscribing lines is given by their transverse angle. It is common practice to choose one of these circumscriptions at a transverse distance equal to zero.

A reference area represents one or more carriageways, footpaths, cycle paths, emergency lanes and other road areas lying separately or adjacent to a carriageway, strips just outside or inside a carriageway (for the evaluation of the edge illuminance ratio), etc. (see Figure 1).

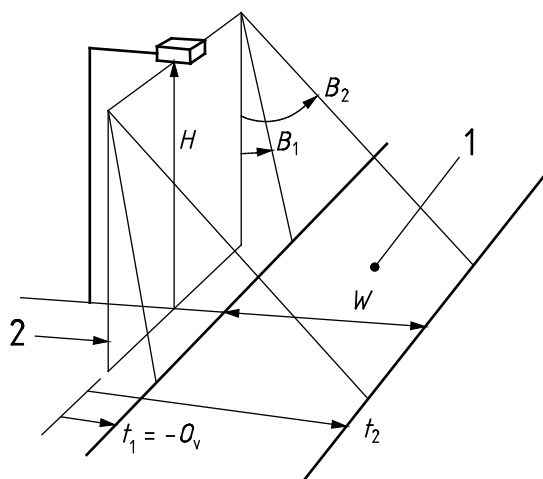
Each area is to be lit to the lighting requirements as defined in EN 13201-2.

Further, it is assumed that the areas are illuminated by a lighting installation with luminaires / lamps / light sources of the same type in one or more rows that are parallel to the above-mentioned lines that confine the areas.

The basic conventions made in the mathematical procedures are described in EN 13201-3:2015, 4.1 and 4.2.

4.3 Calculation of utilance by interpolation in an utilance table

The limiting lines of a reference area (strip) in relation to a row of luminaires are shown in Figure 1. The limiting lines are part of the inclined planes B_1 and B_2 which pass through both the limiting lines and the luminaire. The angles of inclination of the planes B_1 and B_2 are given by $\tan^{-1}(t_1 / H)$ and $\tan^{-1}(t_2 / H)$ respectively, where t_1 and t_2 are the transverse distances to the limiting lines and H is the luminaire mounting height (centre point of light above the reference area).



Key

- O_v overhang (position of the photometric centre of the luminaire) with respect to the reference area in m;
- W width of the reference area in m;
- H luminaire mounting height in m;
- δ angle of tilt of the luminaire for calculation; (in this example $\delta = 0^\circ$)
- t_1, t_2 transverse distances to the limiting lines
- B_1, B_2 angles of inclined limiting planes to vertical plane $B = 0^\circ$
- 1 reference area
- 2 vertical plane $B = 0^\circ$

Figure 1 — Basic position of reference area relative to a luminaire in a row of luminaires

Once the plane angles B_1 and B_2 have been calculated for a given installation geometry the resulting utilance can be calculated by interpolation between tabulated utilances given as function of angle B .

For $B_1 - \delta \geq 0$ and $B_2 - \delta > 0$;