

SVENSK STANDARD

SS-EN 14528:2015+A1:2018



Fastställt/Approved: 2018-10-23
Utgåva/Edition: 1
Språk/Language: engelska/English
ICS: 91.140.70

Sanitetsenheter – Bidéer – Funktionskrav och provningmetoder

Bidets – Functional requirements and test methods

This preview is downloaded from www.sis.se. Buy the entire standard via <https://www.sis.se/std-80007501>

Standarder får världen att fungera

SIS (Swedish Standards Institute) är en fristående ideell förening med medlemmar från både privat och offentlig sektor. Vi är en del av det europeiska och globala nätverk som utarbetar internationella standarder. Standarder är dokumenterad kunskap utvecklad av framstående aktörer inom industri, näringsliv och samhälle och befrämjar handel över gränser, bidrar till att processer och produkter blir säkrare samt effektiviserar din verksamhet.

Delta och påverka

Som medlem i SIS har du möjlighet att påverka framtida standarder inom ditt område på nationell, europeisk och global nivå. Du får samtidigt tillgång till tidig information om utvecklingen inom din bransch.

Ta del av det färdiga arbetet

Vi erbjuder våra kunder allt som rör standarder och deras tillämpning. Hos oss kan du köpa alla publikationer du behöver – allt från enskilda standarder, tekniska rapporter och standardpaket till handböcker och onlinetjänster. Genom vår webbtjänst e-nav får du tillgång till ett lättnavigerat bibliotek där alla standarder som är aktuella för ditt företag finns tillgängliga. Standarder och handböcker är källor till kunskap. Vi säljer dem.

Utveckla din kompetens och lyckas bättre i ditt arbete

Hos SIS kan du gå öppna eller företagsinterna utbildningar kring innehåll och tillämpning av standarder. Genom vår närhet till den internationella utvecklingen och ISO får du rätt kunskap i rätt tid, direkt från källan. Med vår kunskap om standarders möjligheter hjälper vi våra kunder att skapa verklig nytta och lönsamhet i sina verksamheter.

Vill du veta mer om SIS eller hur standarder kan effektivisera din verksamhet är du välkommen in på www.sis.se eller ta kontakt med oss på tel 08-555 523 00.



Standards make the world go round

SIS (Swedish Standards Institute) is an independent non-profit organisation with members from both the private and public sectors. We are part of the European and global network that draws up international standards. Standards consist of documented knowledge developed by prominent actors within the industry, business world and society. They promote cross-border trade, they help to make processes and products safer and they streamline your organisation.

Take part and have influence

As a member of SIS you will have the possibility to participate in standardization activities on national, European and global level. The membership in SIS will give you the opportunity to influence future standards and gain access to early stage information about developments within your field.

Get to know the finished work

We offer our customers everything in connection with standards and their application. You can purchase all the publications you need from us - everything from individual standards, technical reports and standard packages through to manuals and online services. Our web service e-nav gives you access to an easy-to-navigate library where all standards that are relevant to your company are available. Standards and manuals are sources of knowledge. We sell them.

Increase understanding and improve perception

With SIS you can undergo either shared or in-house training in the content and application of standards. Thanks to our proximity to international development and ISO you receive the right knowledge at the right time, direct from the source. With our knowledge about the potential of standards, we assist our customers in creating tangible benefit and profitability in their organisations.

If you want to know more about SIS, or how standards can streamline your organisation, please visit www.sis.se or contact us on phone +46 (0)8-555 523 00



Europastandarden EN 14528:2015+A1:2018 gäller som svensk standard. Detta dokument innehåller den officiella engelska versionen av EN 14528:2015+A1:2018.

The European Standard EN 14528:2015+A1:2018 has the status of a Swedish Standard. This document contains the official version of EN 14528:2015+A1:2018.

© Copyright/Upphovsrätten till denna produkt tillhör SIS, Swedish Standards Institute, Stockholm, Sverige. Användningen av denna produkt regleras av slutanvändarlicensen som återfinns i denna produkt, se standardens sista sidor.

© Copyright SIS, Swedish Standards Institute, Stockholm, Sweden. All rights reserved. The use of this product is governed by the end-user licence for this product. You will find the licence in the end of this document.

Uppllysningar om sakinnehållet i standarden lämnas av SIS, Swedish Standards Institute, telefon 08-555 520 00. Standarder kan beställas hos SIS som även lämnar allmänna upplysningar om svensk och utländsk standard.

Information about the content of the standard is available from the Swedish Standards Institute (SIS), telephone +46 8 555 520 00. Standards may be ordered from SIS, who can also provide general information about Swedish and foreign standards.

Denna standard är framtagen av kommittén för Sanitetsenheter, SIS/TK 198/AG 01.

Har du synpunkter på innehållet i den här standarden, vill du delta i ett kommande revideringsarbete eller vara med och ta fram andra standarder inom området? Gå in på www.sis.se - där hittar du mer information.

EUROPEAN STANDARD

EN 14528:2015+A1

NORME EUROPÉENNE

EUROPÄISCHE NORM

October 2018

ICS 91.140.70

Supersedes EN 14528:2015

English Version

Bidets - Functional requirements and test methods

Bidets - Exigences fonctionnelles et méthodes d'essai

Sitzwaschbecken - Funktionsanforderungen und Prüfverfahren

This European Standard was approved by CEN on 19 June 2015 and includes Amendment 1 approved by CEN on 14 April 2018.

CEN members are bound to comply with the CEN/CENELEC Internal Regulations which stipulate the conditions for giving this European Standard the status of a national standard without any alteration. Up-to-date lists and bibliographical references concerning such national standards may be obtained on application to the CEN-CENELEC Management Centre or to any CEN member.

This European Standard exists in three official versions (English, French, German). A version in any other language made by translation under the responsibility of a CEN member into its own language and notified to the CEN-CENELEC Management Centre has the same status as the official versions.

CEN members are the national standards bodies of Austria, Belgium, Bulgaria, Croatia, Cyprus, Czech Republic, Denmark, Estonia, Finland, Former Yugoslav Republic of Macedonia, France, Germany, Greece, Hungary, Iceland, Ireland, Italy, Latvia, Lithuania, Luxembourg, Malta, Netherlands, Norway, Poland, Portugal, Romania, Serbia, Slovakia, Slovenia, Spain, Sweden, Switzerland, Turkey and United Kingdom.



EUROPEAN COMMITTEE FOR STANDARDIZATION
COMITÉ EUROPÉEN DE NORMALISATION
EUROPÄISCHES KOMITEE FÜR NORMUNG

CEN-CENELEC Management Centre: Rue de la Science 23, B-1040 Brussels

SS-EN 14528:2015+A1:2018 (E)

Contents	Page
European foreword.....	3
1 Scope	4
2 Normative references	4
3 Terms and definitions	4
4 A1 Characteristics A1	5
4.1 Connecting dimensions	5
4.2 Load stability	5
4.3 Cleanability	5
4.4 Protection against overflowing	5
4.4.1 Bidets with overflow	5
4.4.2 Bidets without overflow	6
4.5 Durability	6
5 Test methods	6
5.1 General	6
5.2 Static load test	6
5.3 Cleanability	7
5.4 Determination of flow rate of overflow	8
6 Dangerous substances	8
7 Marking	8
8 Assessment and verification of constancy of performance – AVCP	9
8.1 General	9
8.2 Type testing	10
8.2.1 General	10
8.2.2 Test samples, testing and compliance criteria	10
8.3 Factory production control (FPC)	11
8.3.1 General	11
8.3.2 Equipment	11
8.3.3 Raw materials and components	11
8.3.4 Product testing and assessment	11
8.3.5 Non-complying products	12
8.3.6 Corrective action	12
Annex ZA (informative) Relationship of this European Standard with Regulation (EU) No. 305/2011	13
ZA.1 Scope and relevant characteristics	13
ZA.2 System of Assessment and Verification of Constancy of Performance (AVCP)	13
ZA.3 Assignment of AVCP tasks	13
Bibliography	15

European foreword

This document (EN 14528:2015+A1:2018) has been prepared by Technical Committee CEN/TC 163 “Sanitary appliances”, the secretariat of which is held by UNI.

This European Standard shall be given the status of a national standard, either by publication of an identical text or by endorsement, at the latest by April 2019 and conflicting national standards shall be withdrawn at the latest by July 2020.

Attention is drawn to the possibility that some of the elements of this document may be the subject of patent rights. CEN [and/or CENELEC] shall not be held responsible for identifying any or all such patent rights.

This document includes Amendment 1 approved by CEN on 14 April 2018.

This document supersedes A1 EN 14528:2015 A1.

The start and finish of text introduced or altered by amendment is indicated in the text by tags A1 A1.

This document has been prepared under a mandate given to CEN by the European Commission and the European Free Trade Association.

For relationship with EU Construction Products Regulation, see informative Annex ZA, which is an integral part of this document.

A1 The main changes introduced in EN 14528 were the following:

- a) introduction of a new Annex ZA according to the latest template (in the format of TF N 678 rev 1 of 2015-06-02);
- b) modification of the marking of products;
- c) modification of the clause “Test samples, testing and compliance criteria”;
- d) editorial modifications as agreed between representatives of EU/DG Growth, CEN/TC 163 and FECS on 2016-07-07 in Brussels for citation of standard in OJEU. A1

According to the CEN-CENELEC Internal Regulations, the national standards organizations of the following countries are bound to implement this European Standard: Austria, Belgium, Bulgaria, Croatia, Cyprus, Czech Republic, Denmark, Estonia, Finland, Former Yugoslav Republic of Macedonia, France, Germany, Greece, Hungary, Iceland, Ireland, Italy, Latvia, Lithuania, Luxembourg, Malta, Netherlands, Norway, Poland, Portugal, Romania, Serbia, Slovakia, Slovenia, Spain, Sweden, Switzerland, Turkey and the United Kingdom.

SS-EN 14528:2015+A1:2018 (E)

1 Scope

This European Standard specifies the functional $\boxed{A_1}$ characteristics $\boxed{A_1}$ and test methods for bidets used for domestic purposes and made from either ceramics or stainless steel.

All drawings are examples only, other forms are permissible.

NOTE For the purposes of this standard the term 'domestic purposes' includes use in hotels, accommodation for students, hospitals and similar buildings, except when special medical provisions are required.

2 Normative references

The following documents, in whole or in part, are normatively referenced in this document and are indispensable for its application. For dated references, only the edition cited applies. For undated references, the latest edition of the referenced document (including any amendments) applies.

EN 35, *Pedestal and wall-hung bidets with over-rim supply - Connecting dimensions*

3 Terms and definitions

For the purposes of this document, the following terms and definitions apply.

3.1

bidet

sanitary appliance for washing the genital area whilst seated

Note 1 to entry: See Figures 1 and 2.

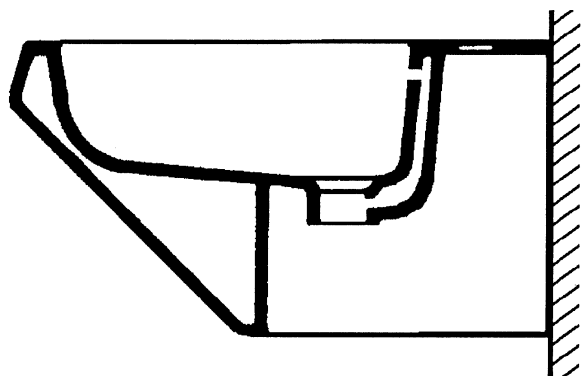


Figure 1 — Wall-hung bidet

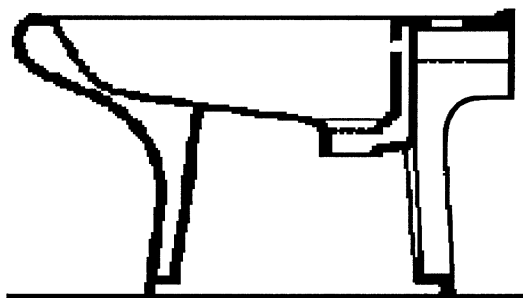


Figure 2 — Pedestal bidet

3.2

cleanability

characteristic which allows surfaces intended to come into contact with water to be visibly smooth, non-absorbent and free from unacceptable internal corners, such that they can be kept visibly free from dirt and/or stains when subject to a regular maintenance regime, which may include, when appropriate, specific instructions for use and care, as specified by the manufacturer

3.3

product type

\square_{A1} set of representative performance levels or classes of a construction product, in relation to its essential characteristics, produced using a given combination of raw materials or other elements in a specific production process

Note 1 to entry: The definition is taken from Regulation (EU) No. 305/2011. \square_{A1}

4 \square_{A1} Characteristics \square_{A1}

4.1 Connecting dimensions

\square_{A1} The connecting dimensions for the supply and outlet fitting shall conform to EN 35, or appropriate fittings shall either be supplied or recommended. \square_{A1}

4.2 Load stability

When tested in accordance with 5.2, stainless steel and all wall-hung bidets shall withstand a force of $(4,00 \pm 0,1)$ kN without showing any evidence of cracking and/or permanent deformation.

4.3 Cleanability

When tested in accordance with 5.3, bidets shall have smooth and readily cleansed non-absorbent functional surfaces which are free from acute internal corners which would be difficult to clean, i.e. surfaces intended to or likely to come into contact with water during use.

NOTE Functional surfaces do not include inlet and outlet holes, outlet grills, etc.

4.4 Protection against overflowing

4.4.1 Bidets with overflow

Every bidet shall be protected against overflowing.

When tested in accordance with 5.4, the flow rate of the overflow shall not be less than the values given in Table 1.

Table 1 — Flow rates of overflow

Overflow \square_{A1} type \square_{A1}	Overflow rate l/s
CL 25	0,25
CL 20	0,20
CL 15	0,15
CL 00	See 4.4.2

SS-EN 14528:2015+A1:2018 (E)

4.4.2 Bidets without overflow

A bidet with a non-closable outlet or a floor gully may also be used as a protection against overflowing. In this case the bidet is related to A_1 type A_1 CL 00.

4.5 Durability

Products conforming to the A_1 characteristics A_1 of 4.2 to 4.4 are deemed to be durable.

5 Test methods

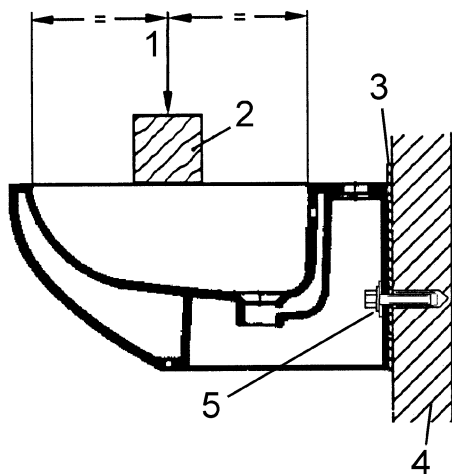
5.1 General

All tests shall be carried out on the same sample bidet.

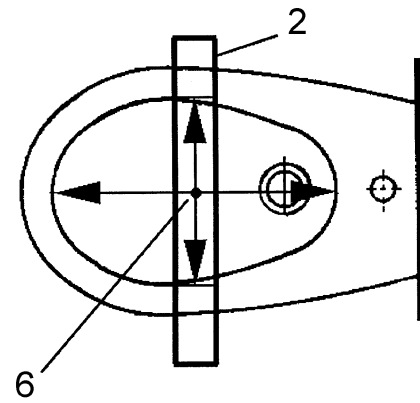
Install the bidet to be tested on a firm flat horizontal or vertical surface as appropriate with a layer of mortar or other material to accommodate any unevenness.

5.2 Static load test

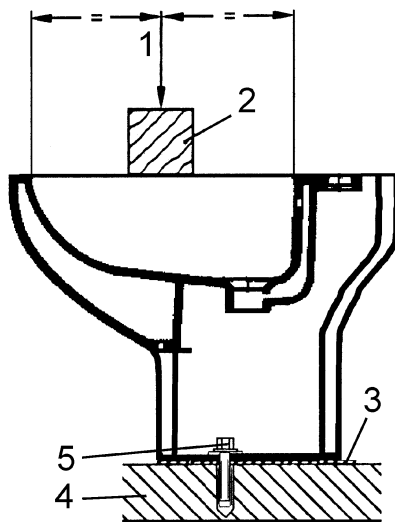
- The bidet shall be fixed in accordance with the manufacturer's instruction onto a smooth surface with a layer of mortar or other facing material used for pointing between the back of the bidet and the smooth surface.
- Gradually apply a force of $(4,00 \pm 0,1)$ kN on top of a wooden beam with a cross section of 100 mm × 100 mm positioned across the geometric centre of the bowl of the bidet parallel to the wall (see Figure 3). Allow the force to remain in position for a period of 1 h.
- Record any failure to comply with 4.2. Any distortion at the points of direct loading shall not constitute a failure.



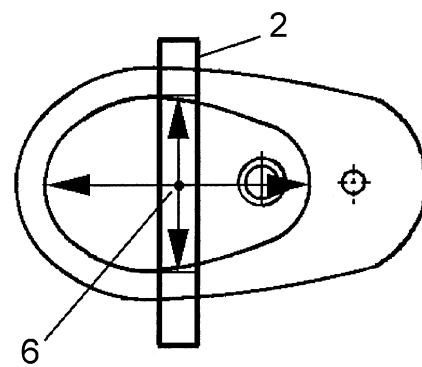
a) Testing the wall-hung bidets – Lateral view



b) Testing the wall-hung bidets – Upper view



c) Testing the pedestal bidets – Lateral view



d) Testing the pedestal bidets – Upper view

Key

- 1 load ($4,0 \pm 0,1$) kN
- 2 wooden beam with cross-section 100 mm x 100 mm of adequate length
- 3 compensation layer
- 4 wall or floor
- 5 threaded rod, nut and flexible washer (maximum torque 5 Nm)
- 6 geometric centre of bowl

Figure 3 — Load test

5.3 Cleanability

- Visually examine the functional surfaces of the bidets using a suitable light source.
- Record any failure to comply with 4.3.

Imperfections that do not affect the functionality of the surface shall not constitute a failure.