

# SVENSK STANDARD

## SS-EN 13832-1:2018

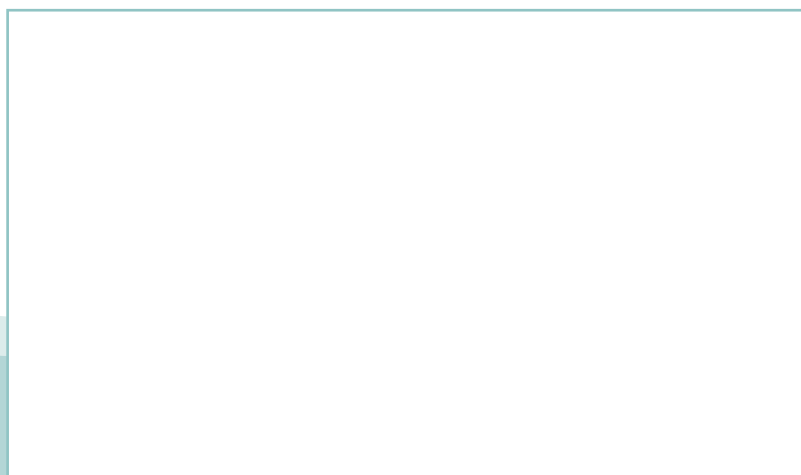
Fastställt/Approved: 2018-10-18  
Utgåva/Edition: 2  
Språk/Language: engelska/English  
ICS: 13.340.50



---

### **Skyddskor – Skydd mot kemikalier – Del 1: Terminologi och provningsmetoder**

### **Footwear protecting against chemicals – Part 1: Terminology and test methods**



# Standarder får världen att fungera

*SIS (Swedish Standards Institute) är en fristående ideell förening med medlemmar från både privat och offentlig sektor. Vi är en del av det europeiska och globala nätverk som utarbetar internationella standarder. Standarder är dokumenterad kunskap utvecklad av framstående aktörer inom industri, näringsliv och samhälle och befrämjar handel över gränser, bidrar till att processer och produkter blir säkrare samt effektiviserar din verksamhet.*

## Delta och påverka

Som medlem i SIS har du möjlighet att påverka framtida standarder inom ditt område på nationell, europeisk och global nivå. Du får samtidigt tillgång till tidig information om utvecklingen inom din bransch.

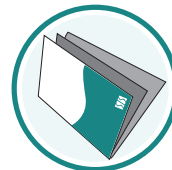
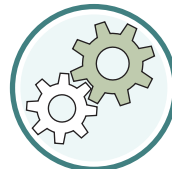
## Ta del av det färdiga arbetet

Vi erbjuder våra kunder allt som rör standarder och deras tillämpning. Hos oss kan du köpa alla publikationer du behöver – allt från enskilda standarder, tekniska rapporter och standardpaket till handböcker och onlinetjänster. Genom vår webbtjänst e-nav får du tillgång till ett lättnavigerat bibliotek där alla standarder som är aktuella för ditt företag finns tillgängliga. Standarder och handböcker är källor till kunskap. Vi säljer dem.

## Utveckla din kompetens och lyckas bättre i ditt arbete

Hos SIS kan du gå öppna eller företagsinterna utbildningar kring innehåll och tillämpning av standarder. Genom vår närhet till den internationella utvecklingen och ISO får du rätt kunskap i rätt tid, direkt från källan. Med vår kunskap om standarders möjligheter hjälper vi våra kunder att skapa verklig nytta och lönsamhet i sina verksamheter.

**Vill du veta mer om SIS eller hur standarder kan effektivisera din verksamhet är du välkommen in på [www.sis.se](http://www.sis.se) eller ta kontakt med oss på tel 08-555 523 00.**



# Standards make the world go round

*SIS (Swedish Standards Institute) is an independent non-profit organisation with members from both the private and public sectors. We are part of the European and global network that draws up international standards. Standards consist of documented knowledge developed by prominent actors within the industry, business world and society. They promote cross-border trade, they help to make processes and products safer and they streamline your organisation.*

## Take part and have influence

As a member of SIS you will have the possibility to participate in standardization activities on national, European and global level. The membership in SIS will give you the opportunity to influence future standards and gain access to early stage information about developments within your field.

## Get to know the finished work

We offer our customers everything in connection with standards and their application. You can purchase all the publications you need from us - everything from individual standards, technical reports and standard packages through to manuals and online services. Our web service e-nav gives you access to an easy-to-navigate library where all standards that are relevant to your company are available. Standards and manuals are sources of knowledge. We sell them.

## Increase understanding and improve perception

With SIS you can undergo either shared or in-house training in the content and application of standards. Thanks to our proximity to international development and ISO you receive the right knowledge at the right time, direct from the source. With our knowledge about the potential of standards, we assist our customers in creating tangible benefit and profitability in their organisations.

**If you want to know more about SIS, or how standards can streamline your organisation, please visit [www.sis.se](http://www.sis.se) or contact us on phone +46 (0)8-555 523 00**



Europastandarden EN 13832-1:2018 gäller som svensk standard. Detta dokument innehåller den officiella engelska versionen av EN 13832-1:2018.

Denna standard ersätter SS-EN 13832-1:2006, utgåva 1.

The European Standard EN 13832-1:2018 has the status of a Swedish Standard. This document contains the official version of EN 13832-1:2018.

This standard supersedes the SS-EN 13832-1:2006, edition 1.

© Copyright/Upphovsrätten till denna produkt tillhör SIS, Swedish Standards Institute, Stockholm, Sverige. Användningen av denna produkt regleras av slutanvändarlicensen som återfinns i denna produkt, se standardens sista sidor.

© Copyright SIS, Swedish Standards Institute, Stockholm, Sweden. All rights reserved. The use of this product is governed by the end-user licence for this product. You will find the licence in the end of this document.

*Upplysningar om sakinnehållet i standarden lämnas av SIS, Swedish Standards Institute, telefon 08-555 520 00. Standarder kan beställas hos SIS som även lämnar allmänna upplysningar om svensk och utländsk standard.*

*Information about the content of the standard is available from the Swedish Standards Institute (SIS), telephone +46 8 555 520 00. Standards may be ordered from SIS, who can also provide general information about Swedish and foreign standards.*

Denna standard är framtagen av kommittén för Skyddsskor, SIS/TK 397.

Har du synpunkter på innehållet i den här standarden, vill du delta i ett kommande revideringsarbete eller vara med och ta fram andra standarder inom området? Gå in på [www.sis.se](http://www.sis.se) - där hittar du mer information.



EUROPEAN STANDARD

EN 13832-1

NORME EUROPÉENNE

EUROPÄISCHE NORM

October 2018

ICS 13.340.50

Supersedes EN 13832-1:2006

English Version

## Footwear protecting against chemicals - Part 1: Terminology and test methods

Chaussures protégeant contre les produits chimiques -  
Partie 1 : Terminologie et méthodes d'essais

Schuhe zum Schutz gegen Chemikalien - Teil 1:  
Terminologie und Prüfverfahren

This European Standard was approved by CEN on 20 May 2018.

CEN members are bound to comply with the CEN/CENELEC Internal Regulations which stipulate the conditions for giving this European Standard the status of a national standard without any alteration. Up-to-date lists and bibliographical references concerning such national standards may be obtained on application to the CEN-CENELEC Management Centre or to any CEN member.

This European Standard exists in three official versions (English, French, German). A version in any other language made by translation under the responsibility of a CEN member into its own language and notified to the CEN-CENELEC Management Centre has the same status as the official versions.

CEN members are the national standards bodies of Austria, Belgium, Bulgaria, Croatia, Cyprus, Czech Republic, Denmark, Estonia, Finland, Former Yugoslav Republic of Macedonia, France, Germany, Greece, Hungary, Iceland, Ireland, Italy, Latvia, Lithuania, Luxembourg, Malta, Netherlands, Norway, Poland, Portugal, Romania, Serbia, Slovakia, Slovenia, Spain, Sweden, Switzerland, Turkey and United Kingdom.



EUROPEAN COMMITTEE FOR STANDARDIZATION  
COMITÉ EUROPÉEN DE NORMALISATION  
EUROPÄISCHES KOMITEE FÜR NORMUNG

**CEN-CENELEC Management Centre: Rue de la Science 23, B-1040 Brussels**

<b>Contents</b>	<b>Page</b>
European foreword.....	3
1 Scope.....	4
2 Normative references.....	4
3 Terms and definitions .....	4
4 Test methods .....	5
4.1 Sampling and conditioning.....	5
4.2 Splashing test.....	6
4.3 Degradation test.....	8
4.4 Permeation test.....	13
Annex A (informative) Precision of the test method .....	16
Annex B (normative) Assessment of damage by the laboratory during testing of splashing.....	17
Bibliography.....	18

## European foreword

This document (EN 13832-1:2018) has been prepared by Technical Committee CEN/TC 161 “Foot and leg protection”, the secretariat of which is held by BSI.

This European Standard shall be given the status of a national standard, either by publication of an identical text or by endorsement, at the latest by April 2019, and conflicting national standards shall be withdrawn at the latest by April 2019.

Attention is drawn to the possibility that some of the elements of this document may be the subject of patent rights. CEN shall not be held responsible for identifying any or all such patent rights.

This document supersedes EN 13832-1:2006.

EN 13832, *Footwear protecting against chemicals*, is published in three parts:

- Part 1: Terminology and test methods
- Part 2: Requirements for limited contact with chemicals
- Part 3: Requirements for prolonged contact with chemicals

This standard is intended for use in conjunction with EN ISO 20345, EN ISO 20346 and EN ISO 20347.

Overview of major technical changes compared to the previous edition:

- New splashing test
- Reference to the new permeation standard EN 16523-1
- Annex B for damages assessment

According to the CEN-CENELEC Internal Regulations, the national standards organisations of the following countries are bound to implement this European Standard: Austria, Belgium, Bulgaria, Croatia, Cyprus, Czech Republic, Denmark, Estonia, Finland, Former Yugoslav Republic of Macedonia, France, Germany, Greece, Hungary, Iceland, Ireland, Italy, Latvia, Lithuania, Luxembourg, Malta, Netherlands, Norway, Poland, Portugal, Romania, Serbia, Slovakia, Slovenia, Spain, Sweden, Switzerland, Turkey and the United Kingdom.

**SS-EN 13832-1:2018 (E)****1 Scope**

This European Standard specifies test methods for the determination of the resistance of footwear against selected chemicals under the following contact situations: splashing, degradation, and permeation.

**2 Normative references**

The following documents are referred to in the text in such a way that some or all of their content constitutes requirements of this document. For dated references, only the edition cited applies. For undated references, the latest edition of the referenced document (including any amendments) applies.

EN 16523-1:2015, *Determination of material resistance to permeation by chemicals - Part 1: Permeation by liquid chemical under conditions of continuous contact*

EN ISO 868:2003, *Plastics and ebonite - Determination of indentation hardness by means of a durometer (Shore hardness) (ISO 868:2003)*

EN ISO 20344:2011, *Personal protective equipment - Test methods for footwear (ISO 20344:2011)*

ISO 23529, *Rubber - General procedures for preparing and conditioning test pieces for physical test methods*

**3 Terms and definitions**

For the purposes of this document, the terms and definitions given in EN ISO 20344:2011 and EN 16523-1 and the following apply.

ISO and IEC maintain terminological databases for use in standardization at the following addresses:

- IEC Electropedia: available at <http://www.electropedia.org/>
- ISO Online browsing platform: available at <http://www.iso.org/obp>

**3.1****degradation**

deleterious change in one or more properties of a footwear material due to contact with a chemical

Note 1 to entry: These changes may include, e.g. flaking, swelling, disintegration, embrittlement, discoloration, dimensions, appearance, hardening and softening.

**3.2****permeation**

process by which a chemical moves through a footwear material at a molecular level

Note 1 to entry: Permeation involves the following:

- absorption of molecules of the chemical into the contacted (outside) surface of a material;
- diffusion of the absorbed molecules into the material;
- desorption of the molecules from the opposite (inside) surface of the material.

**3.3****splashing**

contact after pouring of chemical on the footwear



**3.4  
test chemical**

chemical that is used to assess the behaviour of a footwear or a footwear material after a defined contact under the laboratory test conditions

Note 1 to entry: The chemical can cause adverse effects to the human body by contact with the skin

**4 Test methods**

**4.1 Sampling and conditioning**

The minimum number of samples, i.e. separate items of footwear, to be tested in order to verify compliance with the requirements specified in EN ISO 20344:2011, together with the minimum number of test pieces to be taken from each sample, are given in Table 1.

Wherever possible, test pieces shall be taken from the whole footwear item unless otherwise stated.

If it is not possible to obtain a large enough test piece from the footwear, then a sample of the material from which the component has been manufactured may be used instead and this should be noted in the test report.

**Table 1 — Minimum number of samples and test specimens or test pieces**

Tests	Number of test pieces from each sample	Test only on the final footwear
Table 1 of EN ISO 20344:2011 is applicable		
Splashing test (4.2)	1 pair of shoe (the medium size of the range) per chemical	yes
Degradation test (4.3)	<ul style="list-style-type: none"> <li>• 2 discs for outsole (one before and one after degradation)</li> <li>• 2 discs for upper (one before and one after degradation)</li> </ul>	If possible
Permeation test (4.4)	3 discs per chemical	yes

All test pieces shall be conditioned in a standard atmosphere of  $(23 \pm 2)$  °C and  $(50 \pm 5)$  % relative humidity for a minimum of 24 h before testing, unless otherwise stated in the test method.

The maximum time which shall elapse between removal from the conditioning atmosphere and the start of testing shall be not greater than 10 min, unless otherwise stated in the test method.

For each of the required measurements performed in accordance with this standard, a corresponding estimate of the uncertainty of measurement should be evaluated. One of the following approaches should be used:

- a statistical method, e.g. as given in ISO 5725-2 [9];
- a mathematical method, e.g. as given in ISO/IEC Guide 98-3 [10];
- uncertainty and conformity assessment as given in ISO/IEC Guide 98-4 [11];
- JCGM 100:2008 [12]

**SS-EN 13832-1:2018 (E)**

**4.2 Splashing test**

**4.2.1 Principle**

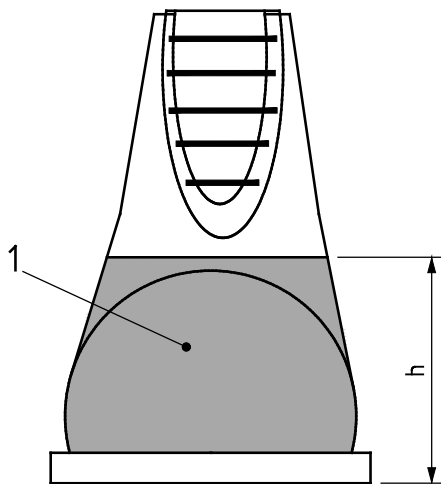
Whole footwear samples are exposed for several period of time to a limited volume of specific liquids which might be encountered in operational use.

Damage to the materials and structure of the footwear including ingress through seams and manufactured structure is assessed at specified step of the test method.

**4.2.2 Method**

A pair of shoes shall be evaluated per chemical to be applied.

- a) Clean the footwear with a dry absorbent paper to remove any productions residues.
- b) Lightly mark (a waxed pencil or chalk have been found to be suitable) the sides of the test sample with a horizontal line as defined in Figure 1. The height  $h$  is given by Table 10 (Minimum height, below which the requirements of the upper shall be fulfilled) of EN ISO 20345:2011. This is to define the tested area (under this line) to allow accurate application of the test chemical.



**Key**

- $h$  height of the tested area
- 1 Test area

**Figure 1 — Tested area for the splashing test**

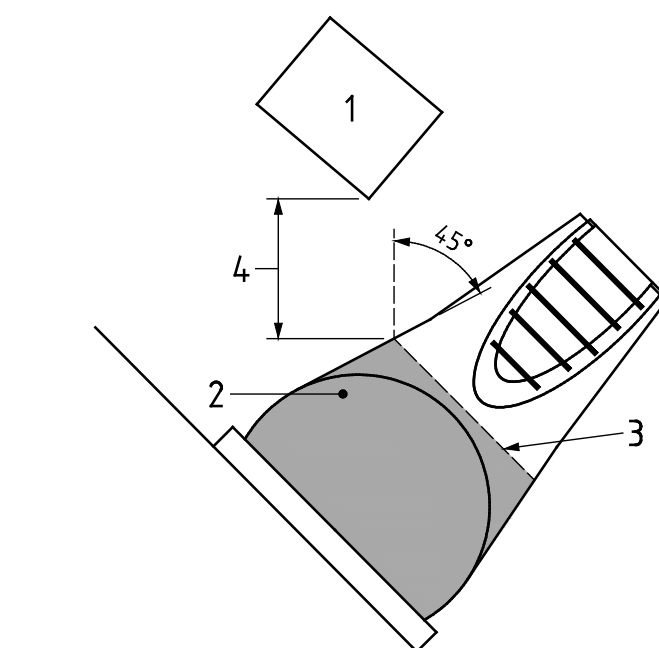
- c) Store the footwear for at least 24 h in an environment at  $(23 \pm 2) ^\circ\text{C}$  and  $(50 \pm 5) \% \text{rh}$ . The test shall performed between  $(20 \text{ and } 25) ^\circ\text{C}$ .
- d) Fill the footwear with absorbent paper as a trace medium for liquid ingress. Ensure the paper is in contact with the seams of the footwear at the front, bellows and lacing in particular.
- e) Fasten the footwear.
- f) Prepare a minimum of 130 ml of the chosen test chemical.

If several chemicals have to be chosen, it is necessary to use a new pair of footwear for each chemical.

- g) Place the footwear into a tray of a sufficient size ( $30 \pm 1$  cm large  $40 \pm 1$  cm long  $5 \pm 1$  cm high) to allow residual liquid to drain from around the footwear during application. The material constituting the tray shall not be affected by the test chemical. Any accidental spillage during application into the inner of the footwear shall be prevented.
- h) Pour  $60 \pm 6$  ml of test liquid evenly across the two sides and front of the footwear using a ( $20 \pm 2$ ) ml containers.

Note 1 to entry: It has been found that using smaller containers each holding ( $20 \pm 2$ ) ml of the test liquid per side and across the centre front makes application more consistent.

The footwear shall have an angle of ( $45 \pm 10$ ) degrees when pouring chemicals onto the side sections. Using the 20 ml container, move along the drawn line and wet the test area of the sample. The pouring distance shall be between 4 cm and 6 cm (see Figure 2). Leave any spilled volume in the tray in contact with the outsole until the first examination is completed.



**Key**

- 1 20 ml container for test chemical
- 2 Test area
- 3 upper edge of test area (see Figure 1)
- 4 pouring distance, 4cm to 6 cm

**Figure 2 — Splashing test principle**

- i) Leave the samples for a period of  $10 \text{ min} \pm 30 \text{ s}$
- j) Pour ( $60 \pm 6$ ) ml of test liquid evenly across the two sides and front of the footwear using a ( $20 \pm 2$ ) ml containers.
- k) Leave the samples for a period of  $10 \text{ min} \pm 30 \text{ s}$  prior to removal from the tray and assess any initial damage.