

# SVENSK STANDARD

## SS-ISO 21308-7:2018



Fastställt/Approved: 2018-10-15  
Utgåva/Edition: 1  
Språk/Language: engelska/English  
ICS: 43.080.01

---

### **Vägfordon – Överföring av produktdata mellan chassitillverkare och påbyggare (BEP) –**

#### **Del 7: Kodning av liftdumperhanterare (ISO 21308-7:2018, IDT)**

### **Road vehicles – Product data exchange between chassis and body work manufacturers (BEP) –**

#### **Part 7: Coding of skip loader bodywork (ISO 21308-7:2018, IDT)**

This preview is downloaded from [www.sis.se](http://www.sis.se). Buy the entire standard via <https://www.sis.se/std-80007273>

# Standarder får världen att fungera

*SIS (Swedish Standards Institute) är en fristående ideell förening med medlemmar från både privat och offentlig sektor. Vi är en del av det europeiska och globala nätverk som utarbetar internationella standarder. Standarder är dokumenterad kunskap utvecklad av framstående aktörer inom industri, näringsliv och samhälle och befrämjar handel över gränser, bidrar till att processer och produkter blir säkrare samt effektiviserar din verksamhet.*

## Delta och påverka

Som medlem i SIS har du möjlighet att påverka framtida standarder inom ditt område på nationell, europeisk och global nivå. Du får samtidigt tillgång till tidig information om utvecklingen inom din bransch.

## Ta del av det färdiga arbetet

Vi erbjuder våra kunder allt som rör standarder och deras tillämpning. Hos oss kan du köpa alla publikationer du behöver – allt från enskilda standarder, tekniska rapporter och standardpaket till handböcker och onlinetjänster. Genom vår webbtjänst e-nav får du tillgång till ett lättnavigerat bibliotek där alla standarder som är aktuella för ditt företag finns tillgängliga. Standarder och handböcker är källor till kunskap. Vi säljer dem.

## Utveckla din kompetens och lyckas bättre i ditt arbete

Hos SIS kan du gå öppna eller företagsinterna utbildningar kring innehåll och tillämpning av standarder. Genom vår närhet till den internationella utvecklingen och ISO får du rätt kunskap i rätt tid, direkt från källan. Med vår kunskap om standarders möjligheter hjälper vi våra kunder att skapa verklig nytta och lönsamhet i sina verksamheter.

**Vill du veta mer om SIS eller hur standarder kan effektivisera din verksamhet är du välkommen in på [www.sis.se](http://www.sis.se) eller ta kontakt med oss på tel 08-555 523 00.**



# Standards make the world go round

*SIS (Swedish Standards Institute) is an independent non-profit organisation with members from both the private and public sectors. We are part of the European and global network that draws up international standards. Standards consist of documented knowledge developed by prominent actors within the industry, business world and society. They promote cross-border trade, they help to make processes and products safer and they streamline your organisation.*

## Take part and have influence

As a member of SIS you will have the possibility to participate in standardization activities on national, European and global level. The membership in SIS will give you the opportunity to influence future standards and gain access to early stage information about developments within your field.

## Get to know the finished work

We offer our customers everything in connection with standards and their application. You can purchase all the publications you need from us - everything from individual standards, technical reports and standard packages through to manuals and online services. Our web service e-nav gives you access to an easy-to-navigate library where all standards that are relevant to your company are available. Standards and manuals are sources of knowledge. We sell them.

## Increase understanding and improve perception

With SIS you can undergo either shared or in-house training in the content and application of standards. Thanks to our proximity to international development and ISO you receive the right knowledge at the right time, direct from the source. With our knowledge about the potential of standards, we assist our customers in creating tangible benefit and profitability in their organisations.

**If you want to know more about SIS, or how standards can streamline your organisation, please visit [www.sis.se](http://www.sis.se) or contact us on phone +46 (0)8-555 523 00**



Den internationella standarden ISO 21308-7:2018 gäller som svensk standard. Detta dokument innehåller den officiella engelska versionen av ISO 21308-7:2018.

The International Standard ISO 21308-7:2018 has the status of a Swedish Standard. This document contains the official English version of ISO 21308-7:2018.

© Copyright/Upphovsrätten till denna produkt tillhör SIS, Swedish Standards Institute, Stockholm, Sverige. Användningen av denna produkt regleras av slutanvändarlicensen som återfinns i denna produkt, se standardens sista sidor.

© Copyright SIS, Swedish Standards Institute, Stockholm, Sweden. All rights reserved. The use of this product is governed by the end-user licence for this product. You will find the licence in the end of this document.

*Upplysningar om sakinnehållet i standarden lämnas av SIS, Swedish Standards Institute, telefon 08-555 520 00. Standarder kan beställas hos SIS som även lämnar allmänna upplysningar om svensk och utländsk standard.*

*Information about the content of the standard is available from the Swedish Standards Institute (SIS), telephone +46 8 555 520 00. Standards may be ordered from SIS, who can also provide general information about Swedish and foreign standards.*

Denna standard är framtagen av kommittén för Dataöverföring mellan chassitillverkare och påbyggare, SIS/TK

Har du synpunkter på innehållet i den här standarden, vill du delta i ett kommande revideringsarbete eller vara med och ta fram andra standarder inom området? Gå in på [www.sis.se](https://www.sis.se) - där hittar du mer information.

# Contents

Page

<b>Foreword .....</b>	<b>v</b>
<b>Introduction .....</b>	<b>vi</b>
<b>1 Scope.....</b>	<b>1</b>
<b>2 Normative references .....</b>	<b>1</b>
<b>3 Terms and definitions.....</b>	<b>1</b>
<b>4 Coding principles.....</b>	<b>4</b>
4.1 BEP codes of bodywork for hook loaders .....	4
4.2 Units of BEP code values .....	4
4.3 References for measurements.....	5
4.3.1 Global coordinate system (X, Y, Z).....	5
4.3.2 Skip loader coordinate system .....	5
4.4 Related XML coding .....	7
<b>5 Coding of geometrical data and space requirements.....</b>	<b>7</b>
5.1 Installation of skip loader on vehicle .....	7
5.2 Main dimensions skip loaders .....	8
5.2.1 Transport position.....	8
5.2.2 Tipping position.....	17
5.2.3 Loading/unloading position.....	18
<b>6 Coding of container dimensions and features necessary for the handling.....</b>	<b>21</b>
<b>7 Coding of masses .....</b>	<b>24</b>
7.1 Mass point in transport position.....	24
7.2 Mass point in working position .....	25
7.3 Mass point for container.....	25
<b>8 Coding of general skip loader data.....</b>	<b>26</b>
8.1 General skip loader data.....	26
8.2 Mechanical interfaces to truck.....	26
8.3 Mechanical interfaces to container .....	26
8.4 Hydraulics equipment and interfaces.....	27
8.5 Electrical/electronic equipment and interfaces.....	27
<b>Annex A (normative) XML coding related to this document.....</b>	<b>28</b>
<b>Annex B (informative) Overview of container dimension standards and specifications.....</b>	<b>30</b>
<b>Bibliography .....</b>	<b>31</b>

## Foreword

ISO (the International Organization for Standardization) is a worldwide federation of national standards bodies (ISO member bodies). The work of preparing International Standards is normally carried out through ISO technical committees. Each member body interested in a subject for which a technical committee has been established has the right to be represented on that committee. International organizations, governmental and non-governmental, in liaison with ISO, also take part in the work. ISO collaborates closely with the International Electrotechnical Commission (IEC) on all matters of electrotechnical standardization.

The procedures used to develop this document and those intended for its further maintenance are described in the ISO/IEC Directives, Part 1. In particular the different approval criteria needed for the different types of ISO documents should be noted. This document was drafted in accordance with the editorial rules of the ISO/IEC Directives, Part 2 (see [www.iso.org/directives](http://www.iso.org/directives)).

Attention is drawn to the possibility that some of the elements of this document may be the subject of patent rights. ISO shall not be held responsible for identifying any or all such patent rights. Details of any patent rights identified during the development of the document will be in the Introduction and/or on the ISO list of patent declarations received (see [www.iso.org/patents](http://www.iso.org/patents)).

Any trade name used in this document is information given for the convenience of users and does not constitute an endorsement.

For an explanation on the voluntary nature of standards, the meaning of ISO specific terms and expressions related to conformity assessment, as well as information about ISO's adherence to the World Trade Organization (WTO) principles in the Technical Barriers to Trade (TBT) see the following URL: [www.iso.org/iso/foreword.html](http://www.iso.org/iso/foreword.html).

This document was prepared by Technical Committee ISO/TC 22, *Road vehicles*, Subcommittee SC 40, *Specific aspects for light and heavy commercial vehicles, busses and trailers*.

Any feedback or questions on this document should be directed to the user's national standards body. A complete listing of these bodies can be found at [www.iso.org/members.html](http://www.iso.org/members.html).

A list of all parts in the ISO 21308 series can be found on the ISO website.

## Introduction

Based on the ISO BEP (bodywork exchange parameters) system, this document specifically deals with the coding of dimensions and other characteristics of skip loaders. The aim is to ensure an efficient and unambiguous communication of dimensional installation data between the parties involved.

The document also covers coding of characteristics of hydraulic, electrical and electronic interfaces to the vehicle.

The document is useful for all parties involved in the installation of skip loaders to vehicles, e.g. skip loader manufacturers, truck chassis manufacturers, and bodywork manufacturers.

# Road vehicles — Product data exchange between chassis and bodywork manufacturers (BEP) —

## Part 7: Coding of skip loader bodywork

### 1 Scope

This document series describes a generic system for the exchange of data between truck chassis manufacturers and bodywork manufacturers. It applies to commercial vehicles as defined in ISO 3833, having a maximum gross vehicle mass above 3 500 kg.

The process of exchanging the above information can involve:

- chassis manufacturer;
- chassis importer;
- chassis dealer;
- one or more bodywork manufacturers; and
- bodywork component suppliers, e.g. manufacturers of demountable bodies, cranes and loading equipment, tipping equipment.

This document specifically deals with the coding of dimensions and other characteristics of skip loaders, to ensure an efficient and unambiguous communication of installation data between the parties involved.

### 2 Normative references

The following documents are referred to in the text in such a way that some or all of their content constitutes requirements of this document. For dated references, only the edition cited applies. For undated references, the latest edition of the referenced document (including any amendments) applies.

ISO 21308-1, *Road vehicles — Product data exchange between chassis and bodywork manufacturers (BEP) — Part 1: General principles*

ISO 21308-2, *Road vehicles — Product data exchange between chassis and bodywork manufacturers (BEP) — Part 2: Dimensional bodywork exchange parameters*

ISO 21308-3, *Road vehicles — Product data exchange between chassis and bodywork manufacturers (BEP) — Part 3: General, mass and administrative exchange parameters*

### 3 Terms and definitions

For the purposes of this document the terms and definitions given in ISO 21308-2 and the following apply.

ISO and IEC maintain terminological databases for use in standardization at the following addresses:

- IEC Electropedia: available at <https://www.electropedia.org/>
- ISO Online browsing platform: available at <https://www.iso.org/obp>

## SS-ISO 21308-7:2018 (E)

### 3.1

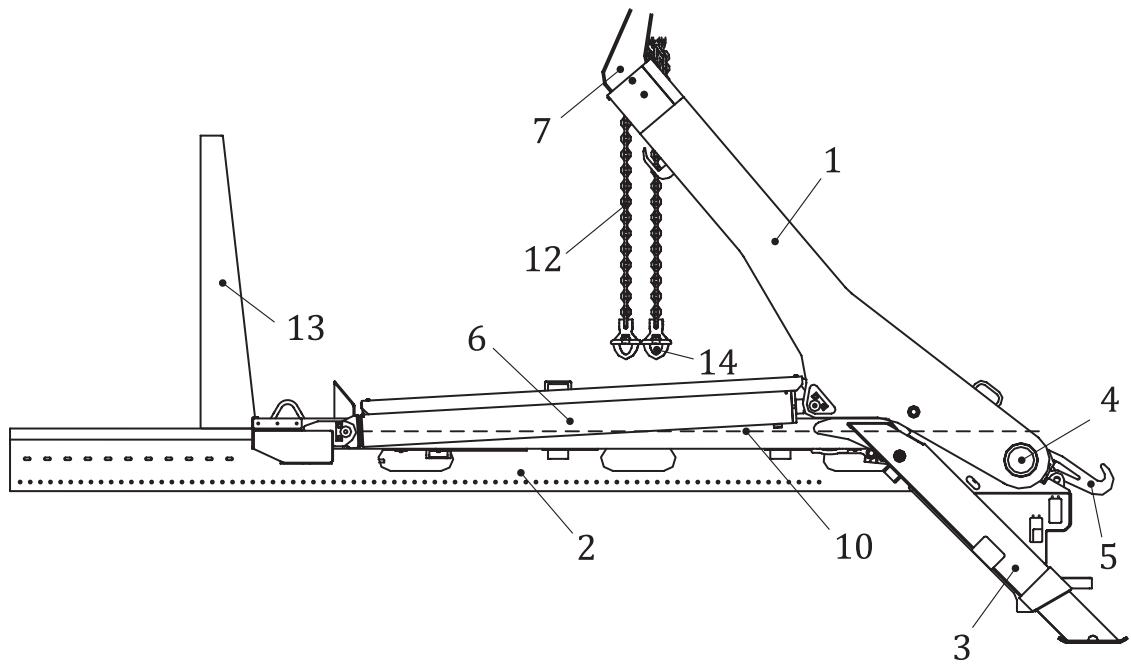
#### **skip loader**

vehicle mounted powered equipment comprising of two arms moving around a pivoting axis, using chains or similar for loading, unloading and tipping containers and other demountables

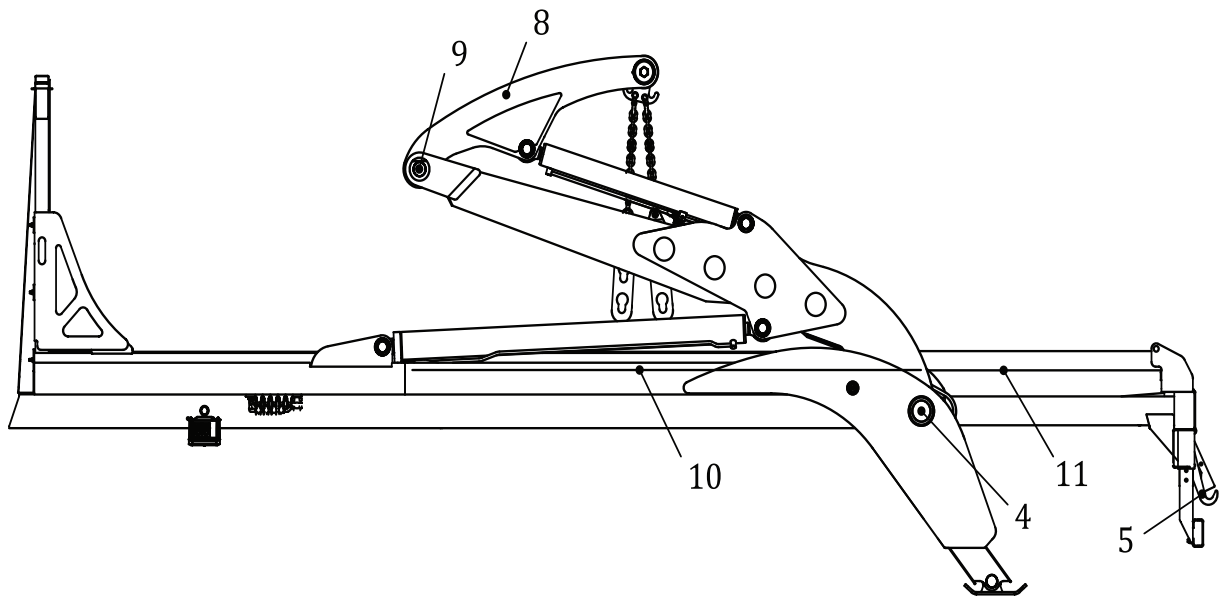
Note 1 to entry: Arms are usually moving in parallel. They may be fixed, extendable or articulated.

Note 2 to entry: [Figure 1](#) shows the main parts of a skip loader referred to in this document.





a) Skip loader with extension arm



b) Skip loader with articulation arm and extended load bed

**Key**

- |   |                      |    |                              |
|---|----------------------|----|------------------------------|
| 1 | main arm             | 8  | articulation arm             |
| 2 | subframe             | 9  | articulation arm pivot point |
| 3 | stabilizer leg(s)    | 10 | load bed (hidden)            |
| 4 | main arm pivot point | 11 | extended load bed            |
| 5 | tipping hook         | 12 | lifting chain                |
| 6 | main arm cylinder    | 13 | cabin protection guard       |
| 7 | extension arm        | 14 | lifting connector            |

**Figure 1 — Main parts of skip loader**

## 4 Coding principles

### 4.1 BEP codes of bodywork for hook loaders

Each characteristic, related to the hook loader and its interfaces to truck chassis, is assigned a code composed of the items given below. A prefix "BEP", followed by a dash (-), shall be used to avoid confusion with other coding systems.

BEP codes are formatted according to the principles in [Table 1](#).

**Table 1 — BEP coding principles**

BEP-ppMccc.n.p.q.s.t		
Item	Assignment	Description
<b>pp</b>	Bodywork category	pp = <b>None or 00</b> for codes related to vehicle chassis (ISO 21308-2 and ISO 21308-3) pp = <b>01</b> for codes related to loader cranes (ISO 21308-5) pp = <b>02</b> for codes related to hook loaders (ISO 21308-6) pp = <b>03</b> for codes related to skip loaders (ISO 21308-7) Future parts of the ISO 21308 series may introduce new pp numbers.
<b>M</b>	Measure type	A capital letter, which denotes the type of code: H = Z direction, coordinate system in accordance with ISO 4130 L = X direction, coordinate system in accordance with ISO 4130 W = Y direction, coordinate system in accordance with ISO 4130 C = Coordinate (x,y) or (x,y,z) in the Cartesian coordinate system R = Radius V = Angle M = Mass (m), or mass point (m,x,y,z) F = Force (static or dynamic) T = Moment (static or dynamic) G = General A = Administrative
<b>ccc</b>	BEP code number	Code number given by the standard
<b>.n</b>	Index number	.n is used to designate object number n
<b>.p</b>	Entity number	.p is used to designate a certain set of object characteristics or entities (e.g. dimensions, coordinates, address information) Where both .n and .p are specified, they are given in the .n .p order.
<b>.q</b>	Corner number	.q is used to designate contour corner index number
<b>.s</b>	Side designator	L or R
<b>.t</b>	Type designator	.t is used to designate a certain type (e.g. "Rigid" or "Flexible")

NOTE Dimensions, except for radius, can be positive or negative.

### 4.2 Units of BEP code values

The following units are preferred when reporting values related to BEP codes (see also ISO 21308-1):

- dimensions (L, W, H, R) and coordinates (x, y, z) in millimetres (mm);
- masses in kilograms (kg);

- forces in Newtons (N), or kN;
- moments in Newtonmetres (Nm), or kNm; and
- angles in degrees (°).

NOTE Guidance on units is shown in the unit column for each BEP code.

### 4.3 References for measurements

#### 4.3.1 Global coordinate system (X, Y, Z)

A vehicle coordinate system according to ISO 4130 is applied, see [Figure 2](#). Global coordinates for the vehicle are denominated X, Y and Z (uppercase letters).

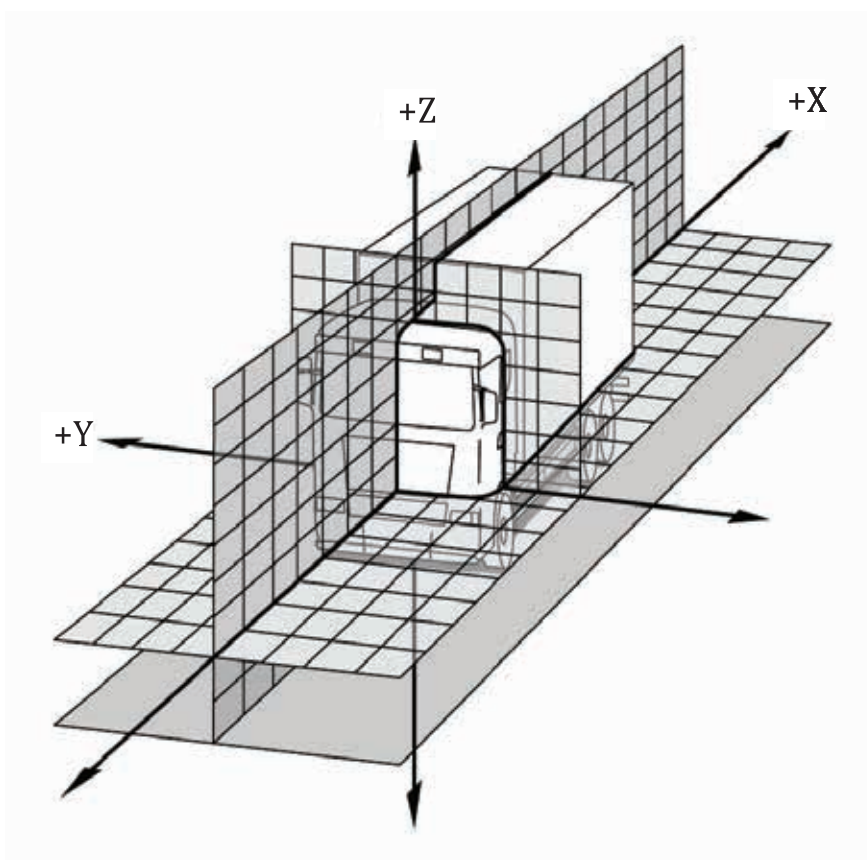


Figure 2 — Vehicle coordinate system according to ISO 4130

#### 4.3.2 Skip loader coordinate system

For a default mounting position, the principle should be that the skip loader coordinate directions should coincide with those of the vehicle. Local bodywork coordinates are denominated x, y and z (lowercase letters), see [Figure 3](#).