

# SVENSK STANDARD

## SS-EN 13976-1:2018

Fastställt/Approved: 2018-07-04  
Utgåva/Edition: 3  
Språk/Language: engelska/English  
ICS: 11.040.10;11.160



---

### **Sjukvårdsfordon med utrustning – Transport av kuvöser – Del 1: Krav på gränssnitt**

### **Rescue systems – Transportation of incubators – Part 1: Interface requirements**



# Standarder får världen att fungera

*SIS (Swedish Standards Institute) är en fristående ideell förening med medlemmar från både privat och offentlig sektor. Vi är en del av det europeiska och globala nätverk som utarbetar internationella standarder. Standarder är dokumenterad kunskap utvecklad av framstående aktörer inom industri, näringsliv och samhälle och befrämjar handel över gränser, bidrar till att processer och produkter blir säkrare samt effektiviserar din verksamhet.*

## Delta och påverka

Som medlem i SIS har du möjlighet att påverka framtida standarder inom ditt område på nationell, europeisk och global nivå. Du får samtidigt tillgång till tidig information om utvecklingen inom din bransch.

## Ta del av det färdiga arbetet

Vi erbjuder våra kunder allt som rör standarder och deras tillämpning. Hos oss kan du köpa alla publikationer du behöver – allt från enskilda standarder, tekniska rapporter och standardpaket till handböcker och onlinetjänster. Genom vår webbtjänst e-nav får du tillgång till ett lättnavigerat bibliotek där alla standarder som är aktuella för ditt företag finns tillgängliga. Standarder och handböcker är källor till kunskap. Vi säljer dem.

## Utveckla din kompetens och lyckas bättre i ditt arbete

Hos SIS kan du gå öppna eller företagsinterna utbildningar kring innehåll och tillämpning av standarder. Genom vår närhet till den internationella utvecklingen och ISO får du rätt kunskap i rätt tid, direkt från källan. Med vår kunskap om standarders möjligheter hjälper vi våra kunder att skapa verklig nytta och lönsamhet i sina verksamheter.

**Vill du veta mer om SIS eller hur standarder kan effektivisera din verksamhet är du välkommen in på [www.sis.se](http://www.sis.se) eller ta kontakt med oss på tel 08-555 523 00.**



# Standards make the world go round

*SIS (Swedish Standards Institute) is an independent non-profit organisation with members from both the private and public sectors. We are part of the European and global network that draws up international standards. Standards consist of documented knowledge developed by prominent actors within the industry, business world and society. They promote cross-border trade, they help to make processes and products safer and they streamline your organisation.*

## Take part and have influence

As a member of SIS you will have the possibility to participate in standardization activities on national, European and global level. The membership in SIS will give you the opportunity to influence future standards and gain access to early stage information about developments within your field.

## Get to know the finished work

We offer our customers everything in connection with standards and their application. You can purchase all the publications you need from us - everything from individual standards, technical reports and standard packages through to manuals and online services. Our web service e-nav gives you access to an easy-to-navigate library where all standards that are relevant to your company are available. Standards and manuals are sources of knowledge. We sell them.

## Increase understanding and improve perception

With SIS you can undergo either shared or in-house training in the content and application of standards. Thanks to our proximity to international development and ISO you receive the right knowledge at the right time, direct from the source. With our knowledge about the potential of standards, we assist our customers in creating tangible benefit and profitability in their organisations.

**If you want to know more about SIS, or how standards can streamline your organisation, please visit [www.sis.se](http://www.sis.se) or contact us on phone +46 (0)8-555 523 00**



Europastandarden EN 13976-1:2018 gäller som svensk standard. Detta dokument innehåller den officiella engelska versionen av EN 13976-1:2018.

Denna standard ersätter SS-EN 13976-1:2011, utgåva 2.

The European Standard EN 13976-1:2018 has the status of a Swedish Standard. This document contains the official version of EN 13976-1:2018.

This standard supersedes the SS-EN 13976-1:2011, edition 2.

© Copyright/Upphovsrätten till denna produkt tillhör SIS, Swedish Standards Institute, Stockholm, Sverige. Användningen av denna produkt regleras av slutanvändarlicensen som återfinns i denna produkt, se standardens sista sidor.

© Copyright SIS, Swedish Standards Institute, Stockholm, Sweden. All rights reserved. The use of this product is governed by the end-user licence for this product. You will find the licence in the end of this document.

*Upplysningar om sakinnehållet i standarden lämnas av SIS, Swedish Standards Institute, telefon 08-555 520 00. Standarder kan beställas hos SIS som även lämnar allmänna upplysningar om svensk och utländsk standard.*

*Information about the content of the standard is available from the Swedish Standards Institute (SIS), telephone +46 8 555 520 00. Standards may be ordered from SIS, who can also provide general information about Swedish and foreign standards.*

Denna standard är framtagen av kommittén för Ambulanssjukvård, SIS/TK 351.

Har du synpunkter på innehållet i den här standarden, vill du delta i ett kommande revideringsarbete eller vara med och ta fram andra standarder inom området? Gå in på [www.sis.se](http://www.sis.se) - där hittar du mer information.



EUROPEAN STANDARD

EN 13976-1

NORME EUROPÉENNE

EUROPÄISCHE NORM

June 2018

ICS 11.040.10; 11.160

Supersedes EN 13976-1:2011

English Version

## Rescue systems - Transportation of incubators - Part 1: Interface requirements

Systèmes de sauvetage - Transport d'incubateurs -  
Partie 1: Exigences d'interface

Rettungssysteme - Inkubatortransport - Teil 1:  
Schnittstellenanforderungen

This European Standard was approved by CEN on 10 January 2018.

CEN members are bound to comply with the CEN/CENELEC Internal Regulations which stipulate the conditions for giving this European Standard the status of a national standard without any alteration. Up-to-date lists and bibliographical references concerning such national standards may be obtained on application to the CEN-CENELEC Management Centre or to any CEN member.

This European Standard exists in three official versions (English, French, German). A version in any other language made by translation under the responsibility of a CEN member into its own language and notified to the CEN-CENELEC Management Centre has the same status as the official versions.

CEN members are the national standards bodies of Austria, Belgium, Bulgaria, Croatia, Cyprus, Czech Republic, Denmark, Estonia, Finland, Former Yugoslav Republic of Macedonia, France, Germany, Greece, Hungary, Iceland, Ireland, Italy, Latvia, Lithuania, Luxembourg, Malta, Netherlands, Norway, Poland, Portugal, Romania, Serbia, Slovakia, Slovenia, Spain, Sweden, Switzerland, Turkey and United Kingdom.



EUROPEAN COMMITTEE FOR STANDARDIZATION  
COMITÉ EUROPÉEN DE NORMALISATION  
EUROPÄISCHES KOMITEE FÜR NORMUNG

**CEN-CENELEC Management Centre: Rue de la Science 23, B-1040 Brussels**

<b>Contents</b>	<b>Page</b>
<b>European foreword</b> .....	<b>3</b>
<b>Introduction</b> .....	<b>4</b>
<b>1 Scope</b> .....	<b>5</b>
<b>2 Normative references</b> .....	<b>5</b>
<b>3 Terms and definitions</b> .....	<b>5</b>
<b>4 Requirements</b> .....	<b>7</b>
<b>4.1 Fixation</b> .....	<b>7</b>
<b>4.2 Electricity</b> .....	<b>8</b>
<b>4.3 Gas supply</b> .....	<b>10</b>
<b>Annex A (informative) Rationale regarding power use</b> .....	<b>12</b>
<b>Annex ZA (informative) Relationship between this European Standard and the Essential Requirements of EU Directive 93/42/EEC [OJ L 169] aimed to be covered</b> .....	<b>13</b>
<b>Bibliography</b> .....	<b>14</b>

## European foreword

This document (EN 13976-1:2018) has been prepared by Technical Committee CEN/TC 239 “Rescue systems”, the secretariat of which is held by DIN.

This European Standard shall be given the status of a national standard, either by publication of an identical text or by endorsement, at the latest by December 2018, and conflicting national standards shall be withdrawn at the latest by December 2019.

Attention is drawn to the possibility that some of the elements of this document may be the subject of patent rights. CEN not be held responsible for identifying any or all such patent rights.

This document has been prepared under a mandate given to CEN by the European Commission and the European Free Trade Association, and supports essential requirements of EU Directive(s).

For relationship with EU Directive(s), see informative Annex ZA which is an integral part of this document.

This document supersedes EN 13976-1:2011.

The following point represents the most important technical change in the revision:

- clarified ambiguous and unclear issues in order to improve interchangeability and interoperability of the transport incubator system when transported in hospitals and between hospitals using different ambulances and air crafts, by specifying the interface for mechanical fixation, gas connector and electrical connector

EN 13976 consists of the following parts, under the general title *Rescue systems — Transportation of incubators*:

- *Part 1: Interface requirements*
- *Part 2: System requirements*

According to the CEN/CENELEC Internal Regulations, the national standards organizations of the following countries are bound to implement this European Standard: Austria, Belgium, Bulgaria, Croatia, Cyprus, Czech Republic, Denmark, Estonia, Finland, Former Yugoslav Republic of Macedonia, France, Germany, Greece, Hungary, Iceland, Ireland, Italy, Latvia, Lithuania, Luxembourg, Malta, Netherlands, Norway, Poland, Portugal, Romania, Serbia, Slovakia, Slovenia, Spain, Sweden, Switzerland, Turkey and the United Kingdom.

**SS-EN 13976-1:2018 (E)****Introduction**

This European Standard gives the requirements for the interfaces required in the transport of a transport incubator system. The standard includes interfaces between the incubator and the ambulance as well as those between the various items of equipment used to form the transport incubator system. They are essential in order to ensure interchangeability and a safe and effective function in different vehicles, allowing the uninterrupted care of infants. Interface requirements are given in this part 1 (EN 13976-1). Requirements for the system are given in part 2 (EN 13976-2).

Fixation, monitoring, supply of gas and electricity are maintained through the use of the same standard interfaces as defined in this document.



## 1 Scope

This European Standard specifies the requirements for the interface between the ambulance and the incubator and the associated equipment, needed for care and treatment of infants, used in emergency or planned transports to ensure interchangeability and interoperability and to provide uninterrupted care of infants.

This European Standard does not give requirements for the vehicles, crafts, devices or incubators as such; these requirements are found in other standards. However, transport incubators are normally combined with other equipment to form a “transport incubator system”.

## 2 Normative references

The following documents, in whole or in part, are normatively referenced in this document and are indispensable for its application. For dated references, only the edition cited applies. For undated references, the latest edition of the referenced document (including any amendments) applies.

ENV 737-6:2003, *Medical gas pipeline systems — Part 6: Dimensions and allocation of probes for terminal units for compressed medical gases and vacuum*

EN 1789:2007+A2:2014, *Medical vehicles and their equipment — Road ambulances*

EN 13718-1:2014, *Medical vehicles and their equipment — Air ambulances — Part 1: Requirements for medical devices used in air ambulances*

EN 13718-2:2015, *Medical vehicles and their equipment — Air ambulances — Part 2: Operational and technical requirements for air ambulances*

EN 60601-2-20:2009, *Medical electrical equipment — Part 2-20: Particular requirements for the basic safety and essential performance of infant transport incubators (IEC 60601-2-20:2009)*

EN ISO 407:2004, *Small medical gas cylinders — Pin-index yoke-type valve connections (ISO 407:2004)*

EN ISO 7396-1:2016, *Medical gas pipeline systems — Part 1: Pipeline systems for compressed medical gases and vacuum (ISO 7396-1:2016)*

EN ISO 7396-2:2007, *Medical gas pipeline systems — Part 2: Anaesthetic gas scavenging disposal systems (ISO 7396-2:2007)*

EN ISO 9170-1:2008, *Terminal units for medical gas pipeline systems — Part 1: Terminal units for use with compressed medical gases and vacuum (ISO 9170-1:2008)*

ISO 7166:1985, *Aircraft — Rail and stud configuration for passenger equipment and cargo restraint*

MIL-DTL-5015H, *Detail Specification: Connectors, Electrical, Circular Threaded, An Type, General Specification for (18 May 2000) (Superseding MIL-C-5015G)*

## 3 Terms and definitions

For the purposes of this document, the following terms and definitions apply.

### 3.1

#### **ambulance**

vehicle or craft intended to be crewed by a minimum of two appropriately trained staff for the provision of care and transport of at least one stretchered patient

## **SS-EN 13976-1:2018 (E)**

[SOURCE: EN 1789:2007+A2:2014, 3.2]

### **3.2 interchangeability**

facility to transfer patients between scenes of emergencies, ambulances and hospitals as well as between hospitals, including transport between countries, providing continuous patient care, treatment and monitoring

[SOURCE: EN 13718-2:2015, 3.6]

### **3.3 interface**

means or place of interaction between one or more of the medical devices, the ambient conditions, the user, the patient and, when relevant, the ambulance

### **3.4 interoperability**

facility to connect various medical devices that are fixed to patients, into relevant connections of associated medical devices including the possibility of connecting powered medical devices to various kinds of ambulances

[SOURCE: EN 13718-2:2015, 3.8]

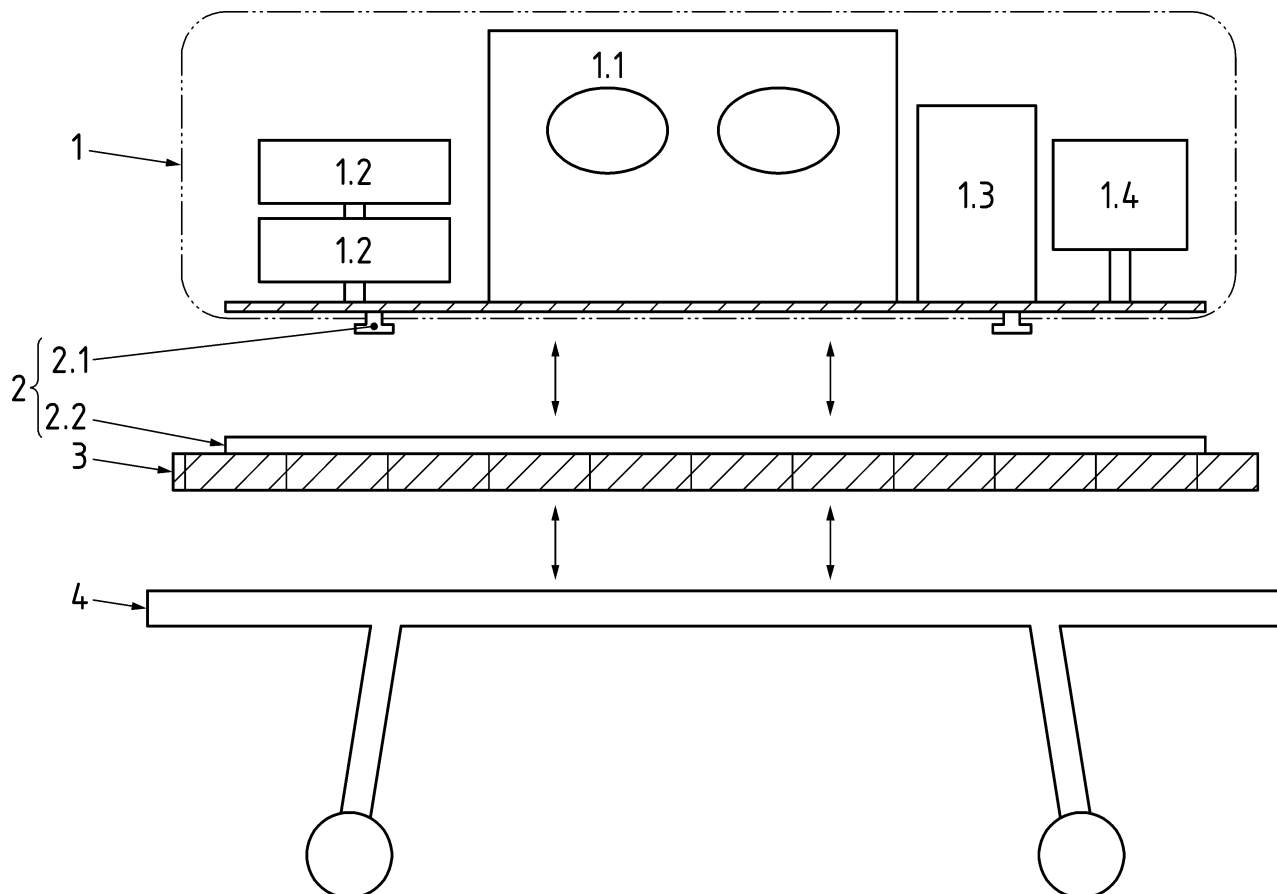
### **3.5 transport incubator**

device with an enclosure intended to contain an infant with transparent section/s to allow observation of the infant and provide a safe, secure and temperature controlled environment while being transported for medical care and it needs to be possible to provide care and medical intervention should this be required during the journey

### **3.6 transport incubator system**

TIS

system produced or arranged to serve as a complete unit for the care of an infant during transport, see Figure 1



**Key**

1 Transport incubator system

NOTE Example of components that could be included in a TIS:

1.1 Incubator

1.2 Syringe pump

1.3 Ventilator

1.4 Monitor

2 Track system

2.1 Track studs

2.2 Track rails

3 Interface to be used if track rails cannot be fixed directly to the stretcher system. If the interface is to be attached to undercarriage, original fixation points on the undercarriage should be used

4 Stretcher system (stretcher/undercarriage/stretcher support, etc.)

NOTE When a TIS is permanently fixed to an undercarriage, the undercarriage will form an integral part of the TIS.

**Figure 1 — Transport incubator system with undercarriage fixation**

**4 Requirements**

**4.1 Fixation**

**4.1.1** Fixation of the transport incubator system in a road ambulance shall comply with EN 1789:2007+A2:2014 and in air ambulances with EN 13718-1:2014 and EN 13718-2:2015, irrespective of whether the transport incubator system is supported by a stretcher system.