

SVENSK STANDARD

SS-ISO 16333:2011



Fastställt/Approved: 2011-03-10
Publicerad/Published: 2011-03-30
Utgåva/Edition: 2
Språk/Language: engelska/English
ICS: 43.080.01

Vägfordon – Tunga fordon och fordonskombinationer – Vältgräns vid stationärt tillstånd – Provningsmetod med lutande plan (ISO 16333:2011, IDT)

Heavy commercial vehicles and buses – Steady-state rollover threshold – Tilt-table test method (ISO 16333:2011, IDT)

This preview is downloaded from www.sis.se. Buy the entire standard via <https://www.sis.se/std-77022>

Standarder får världen att fungera

SIS (Swedish Standards Institute) är en fristående ideell förening med medlemmar från både privat och offentlig sektor. Vi är en del av det europeiska och globala nätverk som utarbetar internationella standarder. Standarder är dokumenterad kunskap utvecklad av framstående aktörer inom industri, näringsliv och samhälle och befrämjar handel över gränser, bidrar till att processer och produkter blir säkrare samt effektiviserar din verksamhet.

Delta och påverka

Som medlem i SIS har du möjlighet att påverka framtida standarder inom ditt område på nationell, europeisk och global nivå. Du får samtidigt tillgång till tidig information om utvecklingen inom din bransch.

Ta del av det färdiga arbetet

Vi erbjuder våra kunder allt som rör standarder och deras tillämpning. Hos oss kan du köpa alla publikationer du behöver – allt från enskilda standarder, tekniska rapporter och standardpaket till handböcker och onlinetjänster. Genom vår webbtjänst e-nav får du tillgång till ett lättnavigerat bibliotek där alla standarder som är aktuella för ditt företag finns tillgängliga. Standarder och handböcker är källor till kunskap. Vi säljer dem.

Utveckla din kompetens och lyckas bättre i ditt arbete

Hos SIS kan du gå öppna eller företagsinterna utbildningar kring innehåll och tillämpning av standarder. Genom vår närhet till den internationella utvecklingen och ISO får du rätt kunskap i rätt tid, direkt från källan. Med vår kunskap om standarders möjligheter hjälper vi våra kunder att skapa verklig nytta och lönsamhet i sina verksamheter.

Vill du veta mer om SIS eller hur standarder kan effektivisera din verksamhet är du välkommen in på www.sis.se eller ta kontakt med oss på tel 08-555 523 00.



Standards make the world go round

SIS (Swedish Standards Institute) is an independent non-profit organisation with members from both the private and public sectors. We are part of the European and global network that draws up international standards. Standards consist of documented knowledge developed by prominent actors within the industry, business world and society. They promote cross-border trade, they help to make processes and products safer and they streamline your organisation.

Take part and have influence

As a member of SIS you will have the possibility to participate in standardization activities on national, European and global level. The membership in SIS will give you the opportunity to influence future standards and gain access to early stage information about developments within your field.

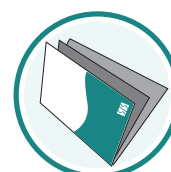
Get to know the finished work

We offer our customers everything in connection with standards and their application. You can purchase all the publications you need from us - everything from individual standards, technical reports and standard packages through to manuals and online services. Our web service e-nav gives you access to an easy-to-navigate library where all standards that are relevant to your company are available. Standards and manuals are sources of knowledge. We sell them.

Increase understanding and improve perception

With SIS you can undergo either shared or in-house training in the content and application of standards. Thanks to our proximity to international development and ISO you receive the right knowledge at the right time, direct from the source. With our knowledge about the potential of standards, we assist our customers in creating tangible benefit and profitability in their organisations.

If you want to know more about SIS, or how standards can streamline your organisation, please visit www.sis.se or contact us on phone +46 (0)8-555 523 00



Den internationella standarden ISO 16333:2011 gäller som svensk standard. Detta dokument innehåller den officiella engelska versionen av ISO 16333:2011.

Denna standard ersätter SS-ISO 16333:2007, utgåva 1.

The International Standard ISO 16333:2011 has the status of a Swedish Standard. This document contains the official version of ISO 16333:2011.

This standard supersedes the Swedish Standard SS-ISO 16333:2007, edition 1.

© Copyright/Upphovsrätten till denna produkt tillhör SIS, Swedish Standards Institute, Stockholm, Sverige. Användningen av denna produkt regleras av slutanvändarlicensen som återfinns i denna produkt, se standardens sista sidor.

© Copyright SIS, Swedish Standards Institute, Stockholm, Sweden. All rights reserved. The use of this product is governed by the end-user licence for this product. You will find the licence in the end of this document.

Uppllysningar om sakinnehållet i standarden lämnas av SIS, Swedish Standards Institute, telefon 08-555 520 00. Standarder kan beställas hos SIS Förlag AB som även lämnar allmänna uppllysningar om svensk och utländsk standard.

Information about the content of the standard is available from the Swedish Standards Institute (SIS), telephone +46 8 555 520 00. Standards may be ordered from SIS Förlag AB, who can also provide general information about Swedish and foreign standards.

Denna standard är framtagen av kommittén för Kursstabilitet och köregenskaper, SIS/TK 236.

Har du synpunkter på innehållet i den här standarden, vill du delta i ett kommande revideringsarbete eller vara med och ta fram andra standarder inom området? Gå in på www.sis.se - där hittar du mer information.

Contents

Page

Foreword	iv
Introduction	v
1 Scope	1
2 Normative references	1
3 Terms and definitions	1
4 Principle	2
5 Variables	4
6 Measuring equipment	4
6.1 General	4
6.2 Description	4
6.3 Data processing	5
7 Test conditions	5
7.1 General	5
7.2 Tilt-table properties	5
7.3 Ambient conditions	5
7.4 Test vehicle	5
8 Test procedure	6
8.1 Installation of vehicle on tilt-table	6
8.2 Test tilts	7
9 Data analysis	8
9.1 General	8
9.2 Tilt-table ratio	8
9.3 Optional data presentations	8
Annex A (normative) Test report — Additional test conditions	12
Annex B (informative) Error sources	13

Foreword

ISO (the International Organization for Standardization) is a worldwide federation of national standards bodies (ISO member bodies). The work of preparing International Standards is normally carried out through ISO technical committees. Each member body interested in a subject for which a technical committee has been established has the right to be represented on that committee. International organizations, governmental and non-governmental, in liaison with ISO, also take part in the work. ISO collaborates closely with the International Electrotechnical Commission (IEC) on all matters of electrotechnical standardization.

International Standards are drafted in accordance with the rules given in the ISO/IEC Directives, Part 2.

The main task of technical committees is to prepare International Standards. Draft International Standards adopted by the technical committees are circulated to the member bodies for voting. Publication as an International Standard requires approval by at least 75 % of the member bodies casting a vote.

Attention is drawn to the possibility that some of the elements of this document may be the subject of patent rights. ISO shall not be held responsible for identifying any or all such patent rights.

ISO 16333 was prepared by Technical Committee ISO/TC 22, *Road vehicles*, Subcommittee SC 9, *Vehicle dynamics and road-holding ability*.

This second edition cancels and replaces the first edition (ISO 16333:2004), of which it constitutes a minor revision.

Introduction

The main purpose of this International Standard is to provide repeatable and discriminatory test results.

The dynamic behaviour of a road vehicle is a very important aspect of active vehicle safety. Any given vehicle, together with its driver and the prevailing environment, constitutes a closed-loop system that is unique. The task of evaluating the dynamic behaviour is therefore very difficult since the significant interaction of these driver-vehicle-environment elements are each complex in themselves. A complete and accurate description of the behaviour of the road vehicle must necessarily involve information obtained from a number of different tests.

Since this test method quantifies only one small part of the complete vehicle handling characteristics, the results of these tests can only be considered significant for a correspondingly small part of the overall dynamic behaviour.

Moreover, insufficient knowledge is available concerning the relationship between overall vehicle dynamic properties and accident avoidance. A substantial amount of work is necessary to acquire sufficient and reliable data on the correlation between accident avoidance and vehicle dynamic properties in general and the results of these tests in particular. Consequently, any application of this test method for regulation purposes will require proven correlation between test results and accident statistics.

Heavy commercial vehicles and buses — Steady-state rollover threshold — Tilt-table test method

1 Scope

This International Standard specifies a tilt-table test method for estimating the steady-state rollover threshold of a heavy commercial vehicle or bus, i.e. the maximum lateral acceleration that the test vehicle could sustain in steady-state turning without rolling over.

It is applicable to complete roll units/combinations of roll-coupled vehicle units — e.g. single-unit vehicles, tractor-semitrailer combinations, articulated buses, full trailers, B-train combinations — of commercial vehicles, commercial vehicle combinations, buses or articulated buses as defined in ISO 3833, and under Categories M3, N2, N3, O3 and O4 of ECE and EC vehicle regulations (trucks and trailers with maximum weights above 3,5 t and buses and articulated buses with maximum weights above 5 t).

It does not cover transient, vibratory or dynamic rollover situations; nor does it consider the influences of dynamic stability control systems. Furthermore, the quality of the estimate of the steady-state rollover threshold provided by the test method decreases as the tilt angle required to produce rollover increases. Even so, the results for heavy vehicles with high rollover thresholds can be used for comparing their relative steady-state roll stability.

NOTE For further limitations of the specified test method, see Annex B.

2 Normative references

The following referenced documents are indispensable for the application of this document. For dated references, only the edition cited applies. For undated references, the latest edition of the referenced document (including any amendments) applies.

ISO 3833, *Road vehicles — Types — Terms and definitions*

ISO 8855, *Road vehicles — Vehicle dynamics and road-holding ability — Vocabulary*

ISO 15037-2:2002, *Road vehicles — Vehicle dynamics test methods — Part 2: General conditions for heavy vehicles and buses*

3 Terms and definitions

For the purposes of this document, the terms and definitions given in ISO 8855 and ISO 15037-2, and the following apply.

3.1

critical tilt angle

ϕ_{TC}
angle at which critical wheel lift occurs

3.2

critical wheel lift

first moment at which one or more wheels lift from the table surface, following which, stable roll equilibrium of the vehicle cannot be established

3.3
roll unit
essentially self-supporting combination of roll-coupled vehicle units, the combination being free to roll independently of other units

NOTE Typically, vehicle units joined by fifth-wheel couplings (which provide roll coupling) belong to the same roll unit, while vehicle units joined by pintle hitches (which do not provide roll coupling) belong to different roll units. Roll units including converter dollies could require minor vertical support at the drawbar pintle hitch.

3.4
steady-state rollover threshold
maximum magnitude of lateral acceleration that a vehicle can sustain during steady-state cornering on a flat surface without rolling over

3.5
tilt angle
 ϕ_T
angle between the horizontal and a vector that is in the plane of the tilt-table surface and is perpendicular to the tilt axis

3.6
tilt-table
apparatus for supporting a vehicle on its tyres on a nominally planar surface and for tilting the vehicle in roll by tilting that surface about an axis nominally parallel to the X-axis of the vehicle

NOTE A tilt-table can be composed either of a single structure supporting all tyres of the vehicle on a contiguous surface or of multiple structures supporting one or more axles on separate, but nominally coplanar, surfaces.

3.7
tilt-table ratio
TTR
 $\tan(\phi_{TC})$, i.e. $\tan(\phi_T)$, at the occurrence of critical wheel lift

3.8
trip rail
rail or kerb fixed to the tilt-table surface and oriented longitudinally beside the low-side tyre(s) in order to prevent the tyre(s) from sliding sideways

3.9
wheel lift of the i^{th} axle
 l_{wi}
condition in which either all left or all right tyres of the i^{th} axle are out of contact with the surface of the tilt-table

NOTE It is a logical variable with values of 1 (true) or 0 (false).

4 Principle

The tilt-table test is a physical simulation of the roll-plane behaviour of a vehicle in a quasi-steady-state turn of gradually increasing severity. In this test, the vehicle is mounted on a tilt-table with the vehicle's longitudinal axis located parallel to an axis about which the table can be tilted. The tilt-table is then gradually tilted up to the point at which the vehicle becomes unstable in roll. Safety restraints are used to prevent the actual rollover of the vehicle.

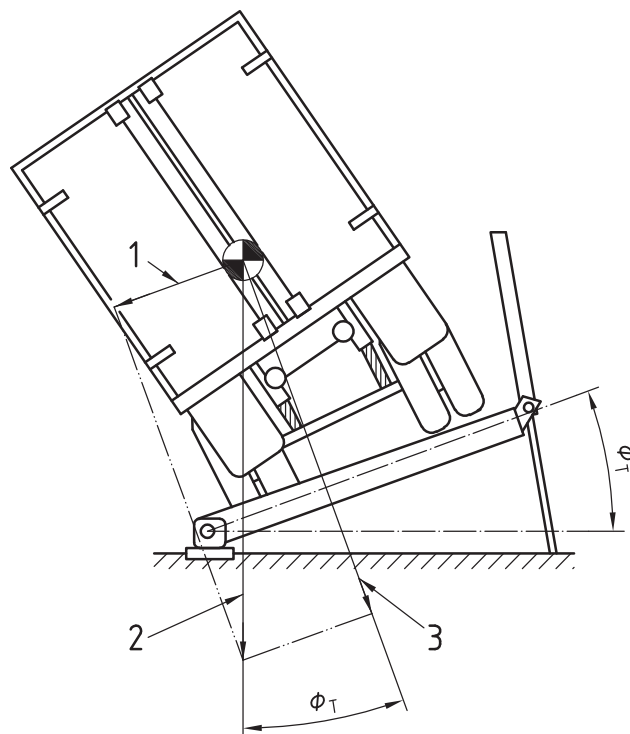
When the table is at a non-zero tilt angle, the test simulates a non-vibratory steady turn. As shown in Figure 1, the component of gravitational forces parallel to the table surface provides a simulation of the centrifugal forces experienced by a vehicle in turning manoeuvres. The progressive application of these forces by slowly tilting the table serves to simulate the effects of quasi-statically increasing lateral acceleration in steady turning manoeuvres.

When the table is tilted, the centrifugal force is simulated by the component of the gravitational force parallel to the table surface, $m \cdot g \cdot \sin(\phi_T)$, and the weight of the vehicle is simulated by the component of the gravitational force that is perpendicular to the table, $m \cdot g \cdot \cos(\phi_T)$, where m is the mass of the vehicle, g is the gravitational acceleration and ϕ_T is the tilt angle. Since the primary mechanism of actual rollover depends on the ratio of the centrifugal forces to the vertical forces, it is appropriate to take the ratio of the simulated lateral acceleration forces to the simulated weight to represent the lateral acceleration. At the moment of roll instability, i.e. when critical wheel lift occurs, the tangent of the tilt angle, i.e. the tilt-table ratio (TTR), is an estimate of the steady-state rollover threshold, expressed in gravitational units:

$$\text{TTR} \equiv \tan(\phi_{Tc}) = \frac{m \cdot g \cdot \sin(\phi_{Tc})}{m \cdot g \cdot \cos(\phi_{Tc})} \quad (1)$$

As the vehicle is progressively tilted during the tilt-table test, vertical load is progressively transferred from tyres on one side of the vehicle to tyres on the other side. Tyres on the unloaded side will eventually lift off of the table surface. Typically, wheel lift does not take place simultaneously for all axles; rather, lift-off occurs at different axles at different angles of tilt. Tyres that lift off of the table early in the process may rise well off the table surface before the critical wheel lift occurs and the vehicle becomes unstable in roll. It is often the case that the vehicle will become unstable even though all tyres of one or more axles (often the steer axle) remain firmly on the table surface. The tilting motion of the table should be stopped simultaneously with the vehicle becoming unstable in roll, and safety restraints should be arranged to arrest the roll motion of the vehicle immediately following that critical tyre-lift event.

Annex B presents further discussion of the tilt-table test method dealing with conceptual and practical sources of error.



Key

- 1 simulated centrifugal force = $m \cdot g \cdot \sin(\phi_T)$
- 2 actual weight = $m \cdot g$
- 3 simulated weight = $m \cdot g \cdot \cos(\phi_T)$

Figure 1 — Schematic diagram of tilt-table test