

SVENSK STANDARD

SS-ISO 16992:2010

Fastställt/Approved: 2010-03-29
Publicerad/Published: 2010-04-27
Utgåva/Edition: 2
Språk/Language: engelska/English
ICS: 43.020; 83.160.10

Personbilsdäck – Ersättningsutrustning för reservhjul (ISO 16992:2010, IDT)

Passenger car tyres – Spare unit substitutive equipment (SUSE) (ISO 16992:2010, IDT)

This preview is downloaded from www.sis.se. Buy the entire standard via <https://www.sis.se/std-73638>

Hitta rätt produkt och ett leveranssätt som passar dig

Standarder

Genom att följa gällande standard både effektiviserar och säkrar du ditt arbete. Många standarder ingår dessutom ofta i paket.

Tjänster

Abonnemang är tjänsten där vi uppdaterar dig med aktuella standarder när förändringar sker på dem du valt att abonnera på.

På så sätt är du säker på att du alltid arbetar efter rätt utgåva.

e-nav är vår online-tjänst som ger dig och dina kollegor tillgång till standarder ni valt att abonnera på dygnet runt. Med e-nav kan samma standard användas av flera personer samtidigt.

Leveranssätt

Du väljer hur du vill ha dina standarder levererade. Vi kan erbjuda dig dem på papper och som pdf.

Andra produkter

Vi har böcker som underlättar arbetet att följa en standard. Med våra böcker får du ökad förståelse för hur standarder ska följas och vilka fördelar den ger dig i ditt arbete. Vi tar fram många egna publikationer och fungerar även som återförsäljare. Det gör att du hos oss kan hitta över 500 unika titlar. Vi har även tekniska rapporter, specifikationer och "workshop agreement".

Matriser är en översikt på standarder och handböcker som bör läsas tillsammans. De finns på sis.se och ger dig en bra bild över hur olika produkter hör ihop.

Standardiseringsprojekt

Du kan påverka innehållet i framtida standarder genom att delta i någon av SIS ca 400 Tekniska Kommittéer.

Find the right product and the type of delivery that suits you

Standards

By complying with current standards, you can make your work more efficient and ensure reliability. Also, several of the standards are often supplied in packages.

Services

Subscription is the service that keeps you up to date with current standards when changes occur in the ones you have chosen to subscribe to. This ensures that you are always working with the right edition.

e-nav is our online service that gives you and your colleagues access to the standards you subscribe to 24 hours a day. With e-nav, the same standards can be used by several people at once.

Type of delivery

You choose how you want your standards delivered. We can supply them both on paper and as PDF files.

Other products

We have books that facilitate standards compliance. They make it easier to understand how compliance works and how this benefits you in your operation. We produce many publications of our own, and also act as retailers. This means that we have more than 500 unique titles for you to choose from. We also have technical reports, specifications and workshop agreements.

Matrices, listed at sis.se, provide an overview of which publications belong together.

Standardisation project

You can influence the content of future standards by taking part in one or other of SIS's 400 or so Technical Committees.

Den internationella standarden ISO 16992:2010 gäller som svensk standard. Detta dokument innehåller den officiella engelska versionen av ISO 16992:2010.

Denna standard ersätter SS-ISO 16992:2006, utgåva 1.

The International Standard ISO 16992:2010 has the status of a Swedish Standard. This document contains the official English version of ISO 16992:2010.

This standard supersedes the Swedish Standard SS-ISO 16992:2006, edition 1.

© Copyright/Upphovsrätten till denna produkt tillhör SIS, Swedish Standards Institute, Stockholm, Sverige. Användningen av denna produkt regleras av slutanvändarlicensen som återfinns i denna produkt, se standardens sista sidor.

© Copyright SIS, Swedish Standards Institute, Stockholm, Sweden. All rights reserved. The use of this product is governed by the end-user licence for this product. You will find the licence in the end of this document.

Upplysningar om sakinnehållet i standarden lämnas av SIS, Swedish Standards Institute, telefon 08-555 520 00.

Standarder kan beställas hos SIS Förlag AB som även lämnar allmänna upplysningar om svensk och utländsk standard.

Information about the content of the standard is available from the Swedish Standards Institute (SIS), tel +46 8 555 520 00.

Standards may be ordered from SIS Förlag AB, who can also provide general information about Swedish and foreign standards.

SIS Förlag AB, SE 118 80 Stockholm, Sweden. Tel: +46 8 555 523 10. Fax: +46 8 555 523 11.

E-mail: sis.sales@sis.se Internet: www.sis.se

Foreword

ISO (the International Organization for Standardization) is a worldwide federation of national standards bodies (ISO member bodies). The work of preparing International Standards is normally carried out through ISO technical committees. Each member body interested in a subject for which a technical committee has been established has the right to be represented on that committee. International organizations, governmental and non-governmental, in liaison with ISO, also take part in the work. ISO collaborates closely with the International Electrotechnical Commission (IEC) on all matters of electrotechnical standardization.

International Standards are drafted in accordance with the rules given in the ISO/IEC Directives, Part 2.

The main task of technical committees is to prepare International Standards. Draft International Standards adopted by the technical committees are circulated to the member bodies for voting. Publication as an International Standard requires approval by at least 75 % of the member bodies casting a vote.

Attention is drawn to the possibility that some of the elements of this document may be the subject of patent rights. ISO shall not be held responsible for identifying any or all such patent rights.

ISO 16992 was prepared by Technical Committee ISO/TC 31, *Tyres, rims and valves*, Subcommittee SC 3, *Passenger car tyres and rims*.

This second edition cancels and replaces the first edition (ISO 16992:2006), which has been technically revised.

Introduction

In order to ensure unrestricted mobility, road vehicles need to be equipped with fully efficient tyres in all positions.

Road vehicles are therefore traditionally provided with a spare unit intended to reinstate vehicle mobility in the event of loss of efficiency of one tyre. The spare unit can be either of the following:

- of the same type of the units normally equipping the vehicle, or
- of “temporary use” type, thus intended for use only under restricted conditions.

Some vehicles, however, can be constructed and provided with devices that can reinstate their mobility even in the absence of a spare unit on board. Various types of such devices (emergency solutions, products, systems) are available to users in order to ensure that they are able to continue their journey in the event of loss of efficiency of one or more tyres.

The term “spare unit substitutive equipment (SUSE)” (see definition 4.4) is used as a general name for all equipment intended to replace a spare unit on board the vehicle.

The term “extended mobility system” (see definition 4.5) refers to the assembly of several independent but interacting components specified and approved by a system manager.

This International Standard mainly concerns the extended mobility systems for vehicles equipped with passenger car tyres, thus allowing driving to continue in restricted conditions after a loss of efficiency of at least one of the tyres of the vehicle.

This International Standard specifies minimum performance levels for SUSE. It provides guidance when establishing objective requirements for a SUSE and allows the standard level of a given existing extended mobility system to be determined.

Passenger car tyres — Spare unit substitutive equipment (SUSE)

1 Scope

This International Standard describes spare unit substitutive equipment (SUSE) for passenger car tyres, which is designed to enable users to continue their journey (with or without a stop) in a reasonably safe manner.

NOTE 1 Certain equipment becomes effective automatically, thus avoiding the need to stop the vehicle immediately for inspection and corrective action.

This International Standard is intended only to qualify the performance of extended mobility systems. Its specifications only apply to extended mobility systems that can permit the extended mobility of the vehicle.

NOTE 2 Other types of SUSE are described in Annexes A and B.

The specifications in this International Standard apply from the moment the extended mobility system becomes effective, with the driver continuing to control of the vehicle (in terms of speed and direction) in an attempt to reach an appropriate place for servicing.

The following are within the scope of this International Standard:

- the description of the various types of SUSE;
- the description and performance levels of complete extended mobility systems.

NOTE 3 The performance level that the user reasonably has the right to expect, as well as the restrictive conditions placed upon that level, can vary to a large degree depending on the equipment installed and on the real operating conditions of the tyre in flat-tyre running mode.

The following are outside the scope of this International Standard:

- the vehicle to be equipped;
- the tyre while operating in inflated mode;
- the characteristics of the pressure survey device and of the warning function relative to the inflated mode or to the partially deflated mode due to slow pressure losses;
- the transitory phase, if any, before the equipment becomes effective;
- the inspection, assessment, and the servicing of the extended mobility system, after it has been activated in flat tyre running mode.

2 Conformance

2.1 When in inflated mode, and therefore functionally efficient, a tyre that is part of a SUSE shall conform in all respects to the usual criteria of a pneumatic tyre that can only be used in an inflated state, normal tyre load, i.e. it shall conform to ISO 4000 (all parts) and to ISO 10191, and it shall be similarly maintained.

The user shall therefore continue to comply with all recommendations of the tyre manufacturer, or the vehicle manufacturer, or both, as for a normal tyre. In particular, the cold inflation pressure of each tyre shall be regularly checked. This check is necessary to ensure that it is at least adequate for the intended service (position, load, speed, camber, etc.) and that it conforms to the specifications of the tyre manufacturer, or the vehicle manufacturer, or both.

2.2 Whichever SUSE is chosen to equip a vehicle, it shall not degrade the service properties of the tyre in inflated mode.

2.3 The performance of a SUSE depends upon the nature of the damage that was the cause of the loss of tyre functional efficiency.

2.4 Depending on the technical characteristics and functionality, a SUSE may offer to the vehicle different degrees of mobility (i.e. restored mobility, preserved mobility or extended mobility).

3 Normative references

The following referenced documents are indispensable for the application of this document. For dated references, only the edition cited applies. For undated references, the latest edition of the referenced document (including any amendments) applies.

ISO 4000 (all parts), *Passenger car tyres and rims*

ISO 10191, *Passenger car tyres — Verifying tyre capabilities — Laboratory test methods*

4 Terms and definitions

For the purposes of this document, the following terms and definitions apply.

4.1

normal tyre

pneumatic tyre designed for use in an inflated state

4.2

run-flat tyre

tyre designed to operate in an inflated mode and capable of running at least a specified distance under prescribed conditions in the event that the tyre does not hold air

4.3

spare unit

assembly of a tyre and a wheel intended to replace a tyre/wheel assembly already fitted on a vehicle that has lost some functional efficiency

NOTE The tyre/wheel assembly can include a tube and a valve, etc.

4.4

spare unit substitutive equipment

SUSE

equipment intended to maintain or restore, but not replace, the basic functions of a tyre in the event of a tyre/wheel assembly failure

4.5

extended mobility system

assembly of specified functionally dependent components including, but not limited to, a tyre and a run-flat warning system, which together provide the specified performance granting extended mobility to a vehicle thus equipped

NOTE Examples which do not meet this International Standard are shown in Annexes A and B.

4.6

inflated mode

normal working state of a pneumatic tyre, inflated at the cold inflation pressure recommended by the vehicle manufacturer or the tyre manufacturer for the intended service

4.7

loss of tyre functional efficiency

pressure loss of the tyre/wheel assembly which results in operation in flat tyre running mode and which could be rapid, slow or uncontrolled, leading to a reduction of basic tyre function

4.8

flat tyre running mode

state of a tyre, while operating at an inflation pressure between 0 kPa and 70 kPa

4.9

run-flat warning system

RFWS

system that delivers a warning to the driver that, on a vehicle equipped with an extended mobility system, a tyre is in flat tyre running mode

NOTE In addition, an RFWS can also warn the driver when the expected run-flat potential of the extended mobility system has been used.

4.10

significant reduction of the tyre inflation pressure

event leading a tyre to operate at an inflation pressure insufficient for the intended service on a given vehicle

NOTE The intended service comprises the load, speed and camber.

4.11

self-supporting tyre

technical solution allowing the pneumatic tyre, mounted on the appropriate wheel and in the absence of any supplementary component, to supply the vehicle with the basic tyre functions at a specified speed and distance when operating in flat tyre running mode

NOTE An example of a technical solution is reinforced sidewalls.

4.12

internal support

technical solution consisting of a device, resting on the rim, that helps supply the vehicle with basic tyre functions when operating in flat tyre running mode

4.13

restored mobility

operating condition of a vehicle that, following the loss of tyre functional efficiency, is recovered by manual deployment of a SUSE after an immediate stop

4.14**preserved mobility**

operating condition of a vehicle that, following the loss of tyre functional efficiency, is recovered automatically by means of a SUSE

4.15**extended mobility**

operating condition of a vehicle that, following the loss of tyre functional efficiency, is preserved by means of an extended mobility system

4.16**basic tyre functions**

normal capability of an inflated tyre to support a given load up to a given speed, and to transmit the driving, the steering and the braking forces to the ground on which it runs

5 ISO 16992 run-flat system symbol

The ISO 16992 run-flat system symbol is used to identify those tyres that comply with requirements of the run-flat system specified in this International Standard (see also Clause 8).

Figure 1 provides an example of the ISO 16992 run-flat system symbol for a self-supporting tyre.

Figure 2 provides an example of the ISO 16992 run-flat system symbol for an internal support ring.

6 Extended mobility systems**6.1 General**

Extended mobility systems may be based on either self-supporting tyres or assemblies including an internal support.

6.2 Function and performance

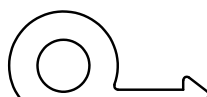
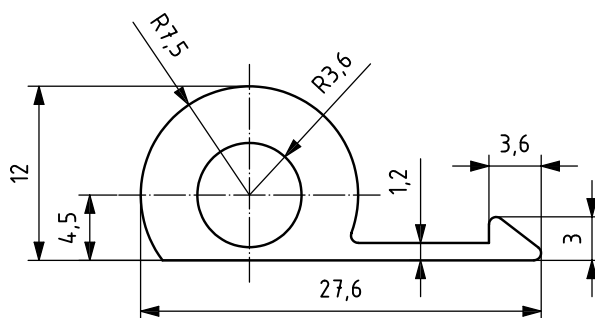
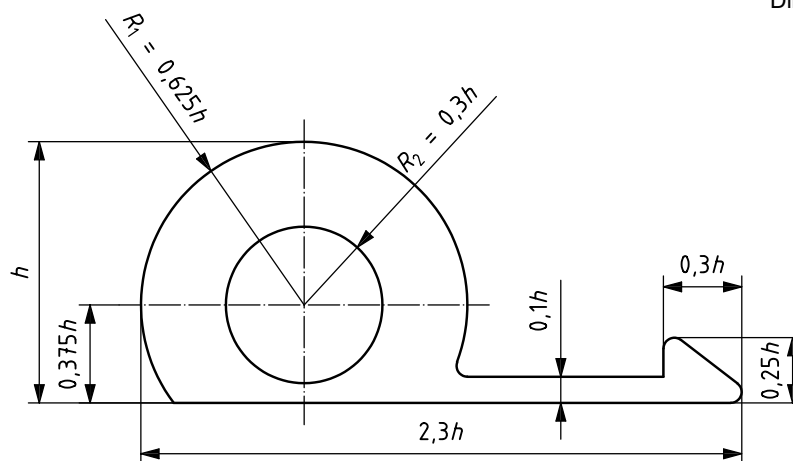
The extended mobility system becomes effective automatically in the event of a loss of tyre functional efficiency and the system informs the driver. The driver shall adjust the driving behaviour according to the instructions supplied with the extended mobility system. The driver can continue the journey, informed of the flat tyre running mode and aware of the expected performance level. An extended mobility system shall be able to operate in flat tyre running mode at a speed of 80 km/h for a distance of 80 km.

Extended mobility systems shall activate automatically and include a run-flat warning system that warns the driver of the following:

- that the flat tyre running mode has been reached;
- any failure of the run-flat warning system.

At the end of the specified performance of an extended mobility system, operating in flat tyre running mode, the loss of mobility shall not be immediate.

Dimensions in millimetres



Key

h figure height

R_1, R_2 circle radii

NOTE This figure can be drawn with $h = 12$ mm. Actual symbol size with $h = 12$ mm.

Figure 1 — Example of ISO 16992 run-flat system symbol for a self-supporting tyre