

SVENSK STANDARD

SS-EN 12374:2009

Fastställt/Approved: 2009-07-03

Publicerad/Published: 2009-08-26

Utgåva/Edition: 2

Språk/Language: engelska/English

ICS: 01.040.55; 55.020; 55.120

Förpackningar – Flexibla tuber – Terminologi

Packaging – Flexible tubes – Terminology

This preview is downloaded from www.sis.se. Buy the entire standard via <https://www.sis.se/std-70150>

Hitta rätt produkt och ett leveranssätt som passar dig

Standarder

Genom att följa gällande standard både effektiviserar och säkrar du ditt arbete. Många standarder ingår dessutom ofta i paket.

Tjänster

Abonnemang är tjänsten där vi uppdaterar dig med aktuella standarder när förändringar sker på dem du valt att abonnera på.

På så sätt är du säker på att du alltid arbetar efter rätt utgåva.

e-nav är vår online-tjänst som ger dig och dina kollegor tillgång till standarder ni valt att abonnera på dygnet runt. Med e-nav kan samma standard användas av flera personer samtidigt.

Leveranssätt

Du väljer hur du vill ha dina standarder levererade. Vi kan erbjuda dig dem på papper och som pdf.

Andra produkter

Vi har böcker som underlättar arbetet att följa en standard. Med våra böcker får du ökad förståelse för hur standarder ska följas och vilka fördelar den ger dig i ditt arbete. Vi tar fram många egna publikationer och fungerar även som återförsäljare. Det gör att du hos oss kan hitta över 500 unika titlar. Vi har även tekniska rapporter, specifikationer och "workshop agreement".

Matriser är en översikt på standarder och handböcker som bör läsas tillsammans. De finns på sis.se och ger dig en bra bild över hur olika produkter hör ihop.

Standardiseringsprojekt

Du kan påverka innehållet i framtida standarder genom att delta i någon av SIS ca 400 Tekniska Kommittéer.

Find the right product and the type of delivery that suits you

Standards

By complying with current standards, you can make your work more efficient and ensure reliability. Also, several of the standards are often supplied in packages.

Services

Subscription is the service that keeps you up to date with current standards when changes occur in the ones you have chosen to subscribe to. This ensures that you are always working with the right edition.

e-nav is our online service that gives you and your colleagues access to the standards you subscribe to 24 hours a day. With e-nav, the same standards can be used by several people at once.

Type of delivery

You choose how you want your standards delivered. We can supply them both on paper and as PDF files.

Other products

We have books that facilitate standards compliance. They make it easier to understand how compliance works and how this benefits you in your operation. We produce many publications of our own, and also act as retailers. This means that we have more than 500 unique titles for you to choose from. We also have technical reports, specifications and workshop agreements.

Matrices, listed at sis.se, provide an overview of which publications belong together.

Standardisation project

You can influence the content of future standards by taking part in one or other of SIS's 400 or so Technical Committees.

Europastandarden EN 12374:2009 gäller som svensk standard. Detta dokument innehåller den officiella engelska versionen av EN 12374:2009.

Denna standard ersätter SS-EN 12374, utgåva 1.

The European Standard EN 12374:2009 has the status of a Swedish Standard. This document contains the official English version of EN 12374:2009.

This standard supersedes the Swedish Standard SS-EN 12374, edition 1.

© Copyright/Upphovsrätten till denna produkt tillhör SIS, Swedish Standards Institute, Stockholm, Sverige. Användningen av denna produkt regleras av slutanvändarlicensen som återfinns i denna produkt, se standardens sista sidor.

© Copyright SIS, Swedish Standards Institute, Stockholm, Sweden. All rights reserved. The use of this product is governed by the end-user licence for this product. You will find the licence in the end of this document.

Upplysningar om sakinnehållet i standarden lämnas av SIS, Swedish Standards Institute, telefon 08-555 520 00.

Standarder kan beställas hos SIS Förlag AB som även lämnar allmänna upplysningar om svensk och utländsk standard.

Information about the content of the standard is available from the Swedish Standards Institute (SIS), tel +46 8 555 520 00.

Standards may be ordered from SIS Förlag AB, who can also provide general information about Swedish and foreign standards.

SIS Förlag AB, SE 118 80 Stockholm, Sweden. Tel: +46 8 555 523 10. Fax: +46 8 555 523 11.

E-mail: sis.sales@sis.se Internet: www.sis.se

EUROPEAN STANDARD
NORME EUROPÉENNE
EUROPÄISCHE NORM

EN 12374

June 2009

ICS 01.040.55; 55.120

Supersedes EN 12374:1998

English Version

Packaging - Flexible tubes - Terminology

Emballage - Tubes souples - Terminologie

Packmittel - Tuben - Terminologie

This European Standard was approved by CEN on 20 May 2009.

CEN members are bound to comply with the CEN/CENELEC Internal Regulations which stipulate the conditions for giving this European Standard the status of a national standard without any alteration. Up-to-date lists and bibliographical references concerning such national standards may be obtained on application to the CEN Management Centre or to any CEN member.

This European Standard exists in three official versions (English, French, German). A version in any other language made by translation under the responsibility of a CEN member into its own language and notified to the CEN Management Centre has the same status as the official versions.

CEN members are the national standards bodies of Austria, Belgium, Bulgaria, Cyprus, Czech Republic, Denmark, Estonia, Finland, France, Germany, Greece, Hungary, Iceland, Ireland, Italy, Latvia, Lithuania, Luxembourg, Malta, Netherlands, Norway, Poland, Portugal, Romania, Slovakia, Slovenia, Spain, Sweden, Switzerland and United Kingdom.



EUROPEAN COMMITTEE FOR STANDARDIZATION
COMITÉ EUROPÉEN DE NORMALISATION
EUROPÄISCHES KOMITEE FÜR NORMUNG

Management Centre: Avenue Marnix 17, B-1000 Brussels

Contents	Page
Foreword	3
1 Scope	4
2 Terms and definitions	4
3 Specific terms for metallic tubes	4
4 Specific terms for plastics tubes	11
5 Specific terms for laminated tubes	16

Foreword

This document (EN 12374:2009) has been prepared by Technical Committee CEN/TC 261 "Packaging", the secretariat of which is held by AFNOR.

This European Standard shall be given the status of a national standard, either by publication of an identical text or by endorsement, at the latest by December 2009, and conflicting national standards shall be withdrawn at the latest by December 2009.

Attention is drawn to the possibility that some of the elements of this document may be the subject of patent rights. CEN [and/or CENELEC] shall not be held responsible for identifying any or all such patent rights.

This document supersedes EN 12374:1998.

It is based on the professional recommendation of the European tube manufacturers association (etma).

It consists of a series of simplified drawings with number codes which identify the various parts and which in turn refer to their definition in the three official languages of CEN.

This document includes the following clauses:

- 2 General definitions;
- 3 Specific terms for metallic tubes (aluminium, tin);
- 4 Specific terms for plastics tubes;
- 5 Specific terms for laminated tubes.

According to the CEN/CENELEC Internal Regulations, the national standards organizations of the following countries are bound to implement this European Standard: Austria, Belgium, Bulgaria, Cyprus, Czech Republic, Denmark, Estonia, Finland, France, Germany, Greece, Hungary, Iceland, Ireland, Italy, Latvia, Lithuania, Luxembourg, Malta, Netherlands, Norway, Poland, Portugal, Romania, Slovakia, Slovenia, Spain, Sweden, Switzerland and the United Kingdom.

1 Scope

This standard defines the technical vocabulary in German, French and English, widely in use for flexible tubes.

It is applicable to metal, plastic, multilayer or laminated tubes that are used for packing pharmaceutical, cosmetic, hygiene, food and other domestic or industrial products.

2 Terms and definitions

For the purposes of this document, the following terms and definitions apply.

2.1 flexible tube

container of flexible metal, plastics or laminate which can be sealed in such a manner that its content, although readily discharged in any desired quantity by squeezing, is protected against external contamination during the whole period of use

2.2 shoulder

moulded or extruded component part of a total tube body which forms the nozzle end of the tube

2.3 nozzle

outlet of a flexible tube through which the content is expelled by squeezing the wall of the tube

2.4 tamper evident nozzle

nozzle which has the orifice closed

EXAMPLE Nozzle closed by a thin diaphragm that can be pierced.

2.5 cap

closure for the nozzle end of a flexible tube

3 Specific terms for metallic tubes

The different parts of the tube are represented and identified in Figure 1.

Table 1 allows the corresponding terms to be found in German, French and English.

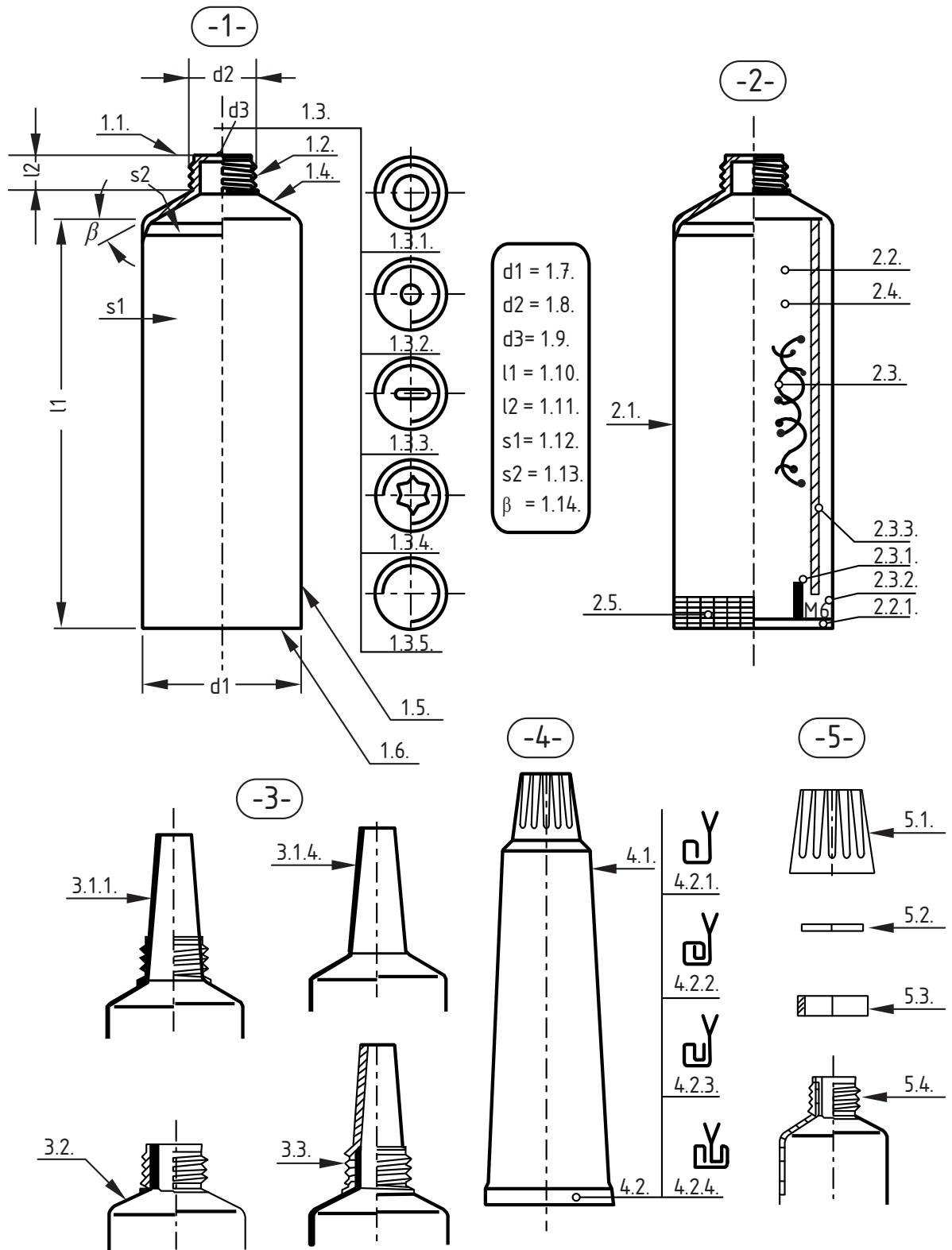


Figure 1 — Metallic Tubes

Table 1 — Specific terms for metallic tubes

METALLTUBEN	TUBES METALLIQUES	METALLIC TUBES
1 Blanke Tube	1 Tube brut	1 Plain undecorated tube
1.1 <i>Tube</i> 1.1.1. Metall 1.1.2. Kunststoff 1.1.3. Grundlackiert	1.1 Tige 1.1.1. Métallique 1.1.2. Plastique 1.1.3. Laquée	1.1 Tube nozzle 1.1.1. Metal 1.1.2. Plastics 1.1.3. Enamelled
1.2 <i>Tube</i> 1.2.1. Metrisches Gewinde 1.2.2. Sondergewinde	1.2 Filetage 1.2.1. Métrique 1.2.2. Spécial	1.2 Tube thread 1.2.1. Metric thread 1.2.2. Special thread
1.3 <i>Tube</i> 1.3.1. Rund 1.3.2. Rund, klein (Sparöffnung) 1.3.3. Schlitzförmig 1.3.4. Sternförmig 1.3.5. verschlossen (Membran) 1.3.6. Garnierstern mit Membran 1.3.7. Abreißmembran	1.3 Orifice 1.3.1. Rond 1.3.2. Rond, petite ouverture 1.3.3. Rectangulaire 1.3.4. En étoile 1.3.5. Operculé 1.3.6. Etoile garniture avec membrane 1.3.7. Membrane	1.3 Tube nozzle orifice 1.3.1. Round 1.3.2. Round, small (economy opening) 1.3.3. Slit shaped 1.3.4. Star shaped 1.3.5. Closed (membrane) 1.3.6. Star shaped with membrane 1.3.7. Membrane to remove
1.4 <i>Tube</i> 1.4.1. Glatt 1.4.2. Gerillt 1.4.3. Poliert 1.4.4. Gebürstet 1.4.5. Gedreht 1.4.6. Lackiert 1.4.7. Geprägt 1.4.8. Tastbare Gefahrenhinweise	1.4 Epaupe (collet) 1.4.1. Lisse 1.4.2. Cerclée 1.4.3. Polie 1.4.4. Brossée 1.4.5. Lamée (à l'outil) 1.4.6. Laquée 1.4.7. Gravée 1.4.8. Repère tactile	1.4 Tube Shoulder 1.4.1. Smooth 1.4.2. Chased 1.4.3. Polished 1.4.4. Brush-finished 1.4.5. Twisted 1.4.6. Lacquered 1.4.7. Stamped 1.4.8. Tactile warnings of danger
1.5 <i>Tube</i> 1.5.1. Zylindrisch 1.5.2. Konisch	1.5 Jupe 1.5.1. Cylindrique 1.5.2. Conique	1.5 Tube body 1.5.1. Cylindrical 1.5.2. Conical
1.6 <i>Tube</i>	1.6 Base de jupe	1.6 Tube open end
1.7 <i>Tube</i> 1.7.1. Nenn Durchmesser	1.7 Diamètre nominal du tube	1.7 Nominal diameter of tube
1.8 <i>Tube</i> 1.8.1. Gewinde-Nenn Durchmesser	1.8 Diamètre nominal du filetage	1.8 Nominal diameter of thread

Table 1 (continued)

METALLTUBEN	TUBES METALLIQUES	METALLIC TUBES
1.9 Durchmesser der Tubenhalsöffnung	1.9 Diamètre de l'orifice	1.9 Tube nozzle orifice diameter
1.10 Mantel-Nennlänge	1.10 Longueur nominale du tube	1.10 Nominal length of tube
1.11 Tubenhalslänge	1.11 Hauteur de la tige	1.11 Height of tube nozzle
1.12 Manteldicke	1.12 Epaisseur de la jupe	1.12 Thickness of body
1.13 Schulterdicke	1.13 Epaisseur du collet	1.13 Thickness of shoulder
1.14 Schultervinkel	1.14 Angle du collet	1.14 Shoulder angle
2 Fertige Tube	2 Tube fini	2 Finished tube
2.1 Innenschutzlackierung	2.1 Vernis intérieur de protection	2.1 Internal protective varnish
2.2 Außenlackierung 2.2.1. Unlackierter Rand am Tubenende	2.2 Laque extérieure 2.2.1. Base du tube non laquée	2.2 External enamel 2.2.1. Open end of tube not enamelled
2.3 Bedruckung 2.3.1. Taste (Codierung) 2.3.2. Herstellerkennzeichen 2.3.3. Drucküberlappung	2.3 Impression 2.3.1. Repère de fermeture 2.3.2. Référence du fabricant 2.3.3. Raccord d'impression	2.3 Printing 2.3.1. Registration mark 2.3.2. Manufacturer's design 2.3.3. Print overlap
2.4 Überlackierung	2.4 Vernis extérieur de protection	2.4 External varnish
2.5 Dichtungsring im Tubenende 2.5.1. Dichtgummi 2.5.2. Heißsiegellack	2.5 Joint d'étanchéité 2.5.1. Joint d'étanchéité 2.5.2. Joint thermoscelable	2.5 End sealant 2.5.1. End sealant 2.5.2. Heat sealing lacquer
3 Tube mit Spezialhals	3 Tube à tige spéciale	3 Tube with special nozzle
3.1 Tube mit Metall-Injektionsspitze 3.1.1. Konisch 3.1.2. Mit runder Öffnung 3.1.3. Mit Membran (geschlossen) 3.1.4. Ohne Gewinde	3.1 Tube à canule métallique 3.1.1. Conique 3.1.2. A orifice rond 3.1.3. Operculé 3.1.4. Sans filetage	3.1 Tube with metal cannula nozzle 3.1.1. Conical 3.1.2. With round orifice 3.1.3. With membrane (closed) 3.1.4. Without thread