

SVENSK STANDARD

SS-EN 15767-1:2009

Fastställt/Approved: 2009-06-15

Publicerad/Published: 2009-09-23

Utgåva/Edition: 1

Språk/Language: engelska/English

ICS: 13.220.10

Brand och räddning – Portabel utrustning för släckmedel i brandpumpar – Portabla monitorer – Del 1: Allmänna krav för konstruktion av portabla monitorer

Portable equipment for projecting extinguishing agents supplied by fire fighting pumps – Portable monitors – Part 1: General requirements for portable monitor assemblies



SWEDISH
STANDARDS
INSTITUTE

Hitta rätt produkt och ett leveranssätt som passar dig

Standarder

Genom att följa gällande standard både effektiviserar och säkrar du ditt arbete. Många standarder ingår dessutom ofta i paket.

Tjänster

Abonnemang är tjänsten där vi uppdaterar dig med aktuella standarder när förändringar sker på dem du valt att abonnera på.

På så sätt är du säker på att du alltid arbetar efter rätt utgåva.

e-nav är vår online-tjänst som ger dig och dina kollegor tillgång till standarder ni valt att abonnera på dygnet runt. Med e-nav kan samma standard användas av flera personer samtidigt.

Leveranssätt

Du väljer hur du vill ha dina standarder levererade. Vi kan erbjuda dig dem på papper och som pdf.

Andra produkter

Vi har böcker som underlättar arbetet att följa en standard. Med våra böcker får du ökad förståelse för hur standarder ska följas och vilka fördelar den ger dig i ditt arbete. Vi tar fram många egna publikationer och fungerar även som återförsäljare. Det gör att du hos oss kan hitta över 500 unika titlar. Vi har även tekniska rapporter, specifikationer och "workshop agreement".

Matriser är en översikt på standarder och handböcker som bör läsas tillsammans. De finns på sis.se och ger dig en bra bild över hur olika produkter hör ihop.

Standardiseringsprojekt

Du kan påverka innehållet i framtida standarder genom att delta i någon av SIS ca 400 Tekniska Kommittéer.

Find the right product and the type of delivery that suits you

Standards

By complying with current standards, you can make your work more efficient and ensure reliability. Also, several of the standards are often supplied in packages.

Services

Subscription is the service that keeps you up to date with current standards when changes occur in the ones you have chosen to subscribe to. This ensures that you are always working with the right edition.

e-nav is our online service that gives you and your colleagues access to the standards you subscribe to 24 hours a day. With e-nav, the same standards can be used by several people at once.

Type of delivery

You choose how you want your standards delivered. We can supply them both on paper and as PDF files.

Other products

We have books that facilitate standards compliance. They make it easier to understand how compliance works and how this benefits you in your operation. We produce many publications of our own, and also act as retailers. This means that we have more than 500 unique titles for you to choose from. We also have technical reports, specifications and workshop agreements.

Matrices, listed at sis.se, provide an overview of which publications belong together.

Standardisation project

You can influence the content of future standards by taking part in one or other of SIS's 400 or so Technical Committees.

Europastandarden EN 15767-1:2009 gäller som svensk standard. Detta dokument innehåller den officiella engelska versionen av EN 15767-1:2009.

The European Standard EN 15767-1:2009 has the status of a Swedish Standard. This document contains the official English version of EN 15767-1:2009.

! © Copyright/Upphovsrätten till denna produkt tillhör SIS, Swedish Standards Institute, Stockholm, Sverige. Användningen av denna produkt regleras av slutanvändarlicensen som återfinns i denna produkt, se standardens sista sidor.

! © Copyright SIS, Swedish Standards Institute, Stockholm, Sweden. All rights reserved. The use of this product is governed by the end-user licence for this product. You will find the licence in the end of this document.

Upplysningar om sakinnehållet i standarden lämnas av SIS, Swedish Standards Institute, telefon 08-555 520 00. Standarder kan beställas hos SIS Förlag AB som även lämnar allmänna upplysningar om svensk och utländsk standard.

Information about the content of the standard is available from the Swedish Standards Institute (SIS), tel +46 8 555 520 00. Standards may be ordered from SIS Förlag AB, who can also provide general information about Swedish and foreign standards.

SIS Förlag AB, SE 118 80 Stockholm, Sweden. Tel: +46 8 555 523 10. Fax: +46 8 555 523 11.
E-mail: sis.sales@sis.se Internet: www.sis.se

EUROPEAN STANDARD
NORME EUROPÉENNE
EUROPÄISCHE NORM

EN 15767-1

June 2009

ICS 13.220.10

English Version

**Portable equipment for projecting extinguishing agents supplied
by fire fighting pumps - Portable monitors - Part 1: General
requirements for portable monitor assemblies**

Équipement portable de projection d'agents d'extinction
alimenté par des pompes à usage incendie - Lances-canon
portables - Partie 1: Prescriptions générales pour les
ensembles lances-canons portables

Tragbare Geräte zum Ausbringen von Löschmitteln, welche
mit Feuerlöschpumpen gefördert werden - Tragbare Werfer
- Teil 1: Allgemeine Anforderungen für tragbare Werfer

This European Standard was approved by CEN on 23 April 2009.

CEN members are bound to comply with the CEN/CENELEC Internal Regulations which stipulate the conditions for giving this European Standard the status of a national standard without any alteration. Up-to-date lists and bibliographical references concerning such national standards may be obtained on application to the CEN Management Centre or to any CEN member.

This European Standard exists in three official versions (English, French, German). A version in any other language made by translation under the responsibility of a CEN member into its own language and notified to the CEN Management Centre has the same status as the official versions.

CEN members are the national standards bodies of Austria, Belgium, Bulgaria, Cyprus, Czech Republic, Denmark, Estonia, Finland, France, Germany, Greece, Hungary, Iceland, Ireland, Italy, Latvia, Lithuania, Luxembourg, Malta, Netherlands, Norway, Poland, Portugal, Romania, Slovakia, Slovenia, Spain, Sweden, Switzerland and United Kingdom.



EUROPEAN COMMITTEE FOR STANDARDIZATION
COMITÉ EUROPÉEN DE NORMALISATION
EUROPÄISCHES KOMITEE FÜR NORMUNG

Management Centre: Avenue Marnix 17, B-1000 Brussels

| Contents | Page |
|--|-------------|
| Foreword..... | 3 |
| Introduction | 4 |
| 1 Scope | 5 |
| 2 Normative references | 5 |
| 3 Terms and definitions | 5 |
| 4 Components | 6 |
| 5 Requirements | 7 |
| 5.1 Mechanical characteristics | 7 |
| 5.1.1 Fitting systems..... | 7 |
| 5.1.2 Mass | 7 |
| 5.1.3 Operating and handling elements..... | 7 |
| 5.2 Materials | 8 |
| 5.3 Hydraulic characteristics | 8 |
| 5.3.1 Pressures..... | 8 |
| 5.3.2 Pressure loss | 8 |
| 5.4 Hydrostatic requirements | 9 |
| 5.5 Stability requirements | 9 |
| 6 Testing and verification | 9 |
| 6.1 General..... | 9 |
| 6.2 Frost test..... | 9 |
| 6.3 Hydrostatic test..... | 9 |
| 6.3.1 Portable monitor body without pressure limiting device | 9 |
| 6.3.2 Portable monitor body equipped with a pressure limiting device..... | 9 |
| 6.3.3 Leak-tightness..... | 10 |
| 6.4 Stability test..... | 10 |
| 7 Information for use | 10 |
| 7.1 Instruction and maintenance handbook | 10 |
| 7.1.1 General..... | 10 |
| 7.1.2 Instruction handbook | 10 |
| 7.1.3 Maintenance handbook..... | 10 |
| 7.2 Marking | 11 |
| Annex A (informative) Acceptance test on delivery | 12 |
| Annex B (normative) Datasheet for monitors | 13 |
| B.1 General..... | 13 |
| B.2 General data | 13 |
| B.3 Operational devices..... | 14 |
| B.4 Requirements | 14 |
| B.5 Optional extra data (no requirements) | 15 |
| B.6 Data certified by * | 15 |
| Annex C (informative) Example of completed datasheet for monitors..... | 16 |
| C.1 General data | 16 |
| C.2 Operational devices..... | 17 |
| C.3 Requirements | 17 |
| C.4 Optional extra data (no requirements) | 17 |
| C.5 Data certified by * | 17 |
| Bibliography | 18 |

Foreword

This document (EN 15767-1:2009) has been prepared by Technical Committee CEN/TC 192 "Fire service equipment", the secretariat of which is held by BSI.

This European Standard shall be given the status of a national standard, either by publication of an identical text or by endorsement, at the latest by December 2009, and conflicting national standards shall be withdrawn at the latest by December 2009.

Attention is drawn to the possibility that some of the elements of this document may be the subject of patent rights. CEN [and/or CENELEC] shall not be held responsible for identifying any or all such patent rights.

EN 15767 consists of the following parts, under the general title *Portable equipment for projecting extinguishing agents supplied by fire fighting pumps – Portable monitors*:

- Part 1: General requirements for portable monitor assemblies;
- Part 2: Water nozzles;
- Part 3: Foam devices¹⁾.

According to the CEN/CENELEC Internal Regulations, the national standards organizations of the following countries are bound to implement this European Standard: Austria, Belgium, Bulgaria, Cyprus, Czech Republic, Denmark, Estonia, Finland, France, Germany, Greece, Hungary, Iceland, Ireland, Italy, Latvia, Lithuania, Luxembourg, Malta, Netherlands, Norway, Poland, Portugal, Romania, Slovakia, Slovenia, Spain, Sweden, Switzerland and the United Kingdom.

1) Under preparation.

Introduction

This European Standard has been created to provide a minimum level of safety and performance criteria.

Its purpose is not to define a specific monitor design but to help the user in understanding and choosing the correct equipment.

The manufacturer may be defined as the person or company taking technical responsibility for the supply of the product.

1 Scope

1.1 This European Standard specifies safety requirements, performance requirements, test methods, instructions for use and maintenance, and marking requirements for portable monitor assemblies.

NOTE 1 Additional requirements for water nozzles and foam devices can be found in EN 15767-2 and prEN 15767-3 respectively.

NOTE 2 Fitting systems are dealt with in national standards or requirements, respectively.

This European Standard is applicable to portable monitor assemblies that can be both permanently installed (e.g. on a flange, a vehicle, a fire boat, etc.) and can also be used as portable monitor assemblies.

This standard should be read in conjunction with either part 2 or 3.

1.2 This European Standard is not applicable to monitors permanently installed on firefighting and rescue service vehicles, for which requirements are given in EN 1846-3 [2].

1.3 This European Standard is not applicable to portable monitor assemblies which are manufactured before its date of publication.

2 Normative references

The following referenced documents are indispensable for the application of this document. For dated references, only the edition cited applies. For undated references, the latest edition of the referenced document (including any amendments) applies.

EN 15767-2, *Portable equipment for projecting extinguishing agents supplied by fire fighting pumps — Portable monitors — Part 2: Water nozzles*

prEN 15767-3, *Portable equipment for projecting extinguishing agents supplied by fire fighting pumps — Portable monitors — Part 3: Foam devices*

3 Terms and definitions

For the purposes of this European Standard, the following terms and definitions apply.

3.1

portable monitor assembly

combination of components for ground operations that connects to a water supply via hose(s) and coupling(s) and projects extinguishing agents according to the operators requirements

3.2

portable monitor body

portable monitor assembly without nozzle

3.3

nozzle

component connected to the outlet of the monitor body that controls the water or the foam flowrate and/or pattern

NOTE Water nozzles are defined in EN 15767-2 and foam devices are defined in prEN 15767-3.

3.4

pressures

NOTE 1 The pressures are expressed in bar.

NOTE 2 1 bar = 0,1 Mpa (10^5 Pa).

**3.4.1
reference pressure**

p_R
standard working pressure used to run hydraulic tests and dynamic leakage tests

**3.4.2
nominal pressure**

p_N
maximum working pressure

**3.4.3
test pressure**

p_t
pressure used for static leakage tests

**3.4.4
burst pressure**

p_B
static pressure used for burst test

**3.4.5
pressure loss**

Δ_p
difference between the inlet and the outlet pressure of the portable monitor body for a given flow

**3.4.6
manufacturer's stated maximum flow**

Q_{max}
flow under which the portable monitor assembly can be operated safely and efficiently

4 Components

A portable monitor assembly shall comprise at least the following components (see Figure 1):

- a) a portable monitor body:
- 1) a fitting system (1). Where the fitting system has more than one connection or inlet they shall be arranged in a way that no extinguishing agent can unintentionally exit any inlet (e.g. by the use of a non return valve);
 - 2) a ground base (2);
 - 3) a carrying device (3);
 - 4) optional: a horizontal and vertical travel device (5);
 - 5) optional: an oscillating device (not shown);
 - 6) optional: a safety device against uncontrolled motion (not shown);
- b) a nozzle (4), complying with EN 15767-2 or prEN 15767-3.

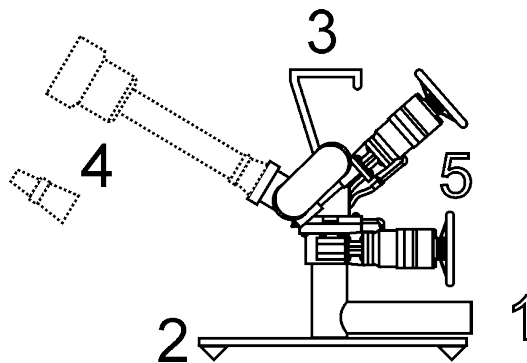


Figure 1 – Portable monitor assembly

5 Requirements

5.1 Mechanical characteristics

5.1.1 Fitting systems

Portable monitor bodies shall be equipped with 360° fulltime swivelling inlet elements.

NOTE Fitting systems should not impair the performance of the monitor.

5.1.2 Mass

Each part of the portable monitor assembly shall be less than 20 kg in mass.

5.1.3 Operating and handling elements

5.1.3.1 The portable monitor assembly should be ergonomically designed to be operated without risk of injury, when wearing firefighter's gloves conforming to EN 659 [1].

5.1.3.2 If a shut off device is provided, it shall be possible for the operator to control the speed of opening and closing. This shall not apply to safety devices.

NOTE Any shut-off device should be easy to operate in a controlled manner, in order to minimize the risk of water hammer.

5.1.3.3 The torques and forces needed for moving the operating elements shall not exceed the values given in Table 1 at pressures up to the nominal pressure.