

# SVENSK STANDARD

## SS-EN 15583-1:2009

Fastställt/Approved: 2009-06-15  
Publicerad/Published: 2009-08-18  
Utgåva/Edition: 1  
Språk/Language: engelska/English  
ICS: 43.160

---

### **Utrustning för underhåll av vintervägar – Snöplogar – Del 1: Produktbeskrivning och krav**

### **Winter maintenance equipment – Snow ploughs – Part 1: Product description and requirements**

This preview is downloaded from [www.sis.se](http://www.sis.se). Buy the entire standard via <https://www.sis.se/std-70010>

# Hitta rätt produkt och ett leveranssätt som passar dig

## Standarder

Genom att följa gällande standard både effektiviserar och säkrar du ditt arbete. Många standarder ingår dessutom ofta i paket.

## Tjänster

Abonnemang är tjänsten där vi uppdaterar dig med aktuella standarder när förändringar sker på dem du valt att abonnera på.

På så sätt är du säker på att du alltid arbetar efter rätt utgåva.

e-nav är vår online-tjänst som ger dig och dina kollegor tillgång till standarder ni valt att abonnera på dygnet runt. Med e-nav kan samma standard användas av flera personer samtidigt.

## Leveranssätt

Du väljer hur du vill ha dina standarder levererade. Vi kan erbjuda dig dem på papper och som pdf.

## Andra produkter

Vi har böcker som underlättar arbetet att följa en standard. Med våra böcker får du ökad förståelse för hur standarder ska följas och vilka fördelar den ger dig i ditt arbete. Vi tar fram många egna publikationer och fungerar även som återförsäljare. Det gör att du hos oss kan hitta över 500 unika titlar. Vi har även tekniska rapporter, specifikationer och "workshop agreement".

Matriser är en översikt på standarder och handböcker som bör läsas tillsammans. De finns på [sis.se](http://sis.se) och ger dig en bra bild över hur olika produkter hör ihop.

## Standardiseringsprojekt

Du kan påverka innehållet i framtida standarder genom att delta i någon av SIS ca 400 Tekniska Kommittéer.

# Find the right product and the type of delivery that suits you

## Standards

By complying with current standards, you can make your work more efficient and ensure reliability. Also, several of the standards are often supplied in packages.

## Services

Subscription is the service that keeps you up to date with current standards when changes occur in the ones you have chosen to subscribe to. This ensures that you are always working with the right edition.

e-nav is our online service that gives you and your colleagues access to the standards you subscribe to 24 hours a day. With e-nav, the same standards can be used by several people at once.

## Type of delivery

You choose how you want your standards delivered. We can supply them both on paper and as PDF files.

## Other products

We have books that facilitate standards compliance. They make it easier to understand how compliance works and how this benefits you in your operation. We produce many publications of our own, and also act as retailers. This means that we have more than 500 unique titles for you to choose from. We also have technical reports, specifications and workshop agreements.

Matrices, listed at [sis.se](http://sis.se), provide an overview of which publications belong together.

## Standardisation project

You can influence the content of future standards by taking part in one or other of SIS's 400 or so Technical Committees.

Europastandarden EN 15583-1:2009 gäller som svensk standard. Detta dokument innehåller den officiella engelska versionen av EN 15583-1:2009.

The European Standard EN 15583-1:2009 has the status of a Swedish Standard. This document contains the official English version of EN 15583-1:2009.

! © Copyright/Upphovsrätten till denna produkt tillhör SIS, Swedish Standards Institute, Stockholm, Sverige. Användningen av denna produkt regleras av slutanvändarlicensen som återfinns i denna produkt, se standardens sista sidor.

! © Copyright SIS, Swedish Standards Institute, Stockholm, Sweden. All rights reserved. The use of this product is governed by the end-user licence for this product. You will find the licence in the end of this document.

Upplýsingar om sakinnihállet í standarden lánmas av SIS, Swedish Standards Institute, telefon 08-555 520 00. Standarder kan bestállas hos SIS Förlag AB som även lánmar allmänna upplýsingar om svensk och utlándsk standard.

Information about the content of the standard is available from the Swedish Standards Institute (SIS), tel +46 8 555 520 00. Standards may be ordered from SIS Förlag AB, who can also provide general information about Swedish and foreign standards.

SIS Förlag AB, SE 118 80 Stockholm, Sweden. Tel: +46 8 555 523 10. Fax: +46 8 555 523 11.  
E-mail: [sis.sales@sis.se](mailto:sis.sales@sis.se) Internet: [www.sis.se](http://www.sis.se)



EUROPEAN STANDARD  
NORME EUROPÉENNE  
EUROPÄISCHE NORM

**EN 15583-1**

June 2009

ICS 43.160

English Version

## Winter maintenance equipment - Snow ploughs - Part 1: Product description and requirements

Matériels de viabilité hivernale - Lames de déneigement -  
Partie 1: Description du produit et exigences

Winterdienstausrüstung - Schneepflüge - Teil 1:  
Produktbeschreibung und Anforderungen

This European Standard was approved by CEN on 6 May 2009.

CEN members are bound to comply with the CEN/CENELEC Internal Regulations which stipulate the conditions for giving this European Standard the status of a national standard without any alteration. Up-to-date lists and bibliographical references concerning such national standards may be obtained on application to the CEN Management Centre or to any CEN member.

This European Standard exists in three official versions (English, French, German). A version in any other language made by translation under the responsibility of a CEN member into its own language and notified to the CEN Management Centre has the same status as the official versions.

CEN members are the national standards bodies of Austria, Belgium, Bulgaria, Cyprus, Czech Republic, Denmark, Estonia, Finland, France, Germany, Greece, Hungary, Iceland, Ireland, Italy, Latvia, Lithuania, Luxembourg, Malta, Netherlands, Norway, Poland, Portugal, Romania, Slovakia, Slovenia, Spain, Sweden, Switzerland and United Kingdom.



EUROPEAN COMMITTEE FOR STANDARDIZATION  
COMITÉ EUROPÉEN DE NORMALISATION  
EUROPÄISCHES KOMITEE FÜR NORMUNG

**Management Centre: Avenue Marnix 17, B-1000 Brussels**

## Contents

Page

Foreword.....	3
<b>1 Scope .....</b>	<b>4</b>
<b>2 Normative references .....</b>	<b>4</b>
<b>3 Terms and definitions .....</b>	<b>4</b>
<b>4 Requirements .....</b>	<b>5</b>
<b>4.1 General.....</b>	<b>5</b>
<b>4.2 Dimensions.....</b>	<b>5</b>
<b>4.3 Override protection for front-mounted snow ploughs.....</b>	<b>9</b>
<b>4.4 Override protection for front-mounted ice scrapers.....</b>	<b>9</b>
<b>4.5 Bump protection of side-mounted snow ploughs.....</b>	<b>10</b>
<b>4.6 Side reverse of front-mounted snow ploughs .....</b>	<b>10</b>
<b>4.7 Side reverse of front-mounted variable V-Ploughs.....</b>	<b>10</b>
<b>4.8 Side reverse of front-mounted ice scrapers .....</b>	<b>10</b>
<b>4.9 Raising and lowering of snow ploughs.....</b>	<b>10</b>
<b>4.10 Plough support .....</b>	<b>12</b>
<b>4.11 Drive by hydraulic equipment of carrier vehicle .....</b>	<b>12</b>
<b>4.12 Repair and maintenance .....</b>	<b>12</b>
<b>4.13 Outdoor storing.....</b>	<b>12</b>
<b>4.14 Side-fenders .....</b>	<b>12</b>
<b>4.15 Scraper blades .....</b>	<b>12</b>
<b>4.16 Demounting equipment.....</b>	<b>12</b>
<b>4.17 Operating manual .....</b>	<b>12</b>

## Figures

Figure 1 — Front-mounted snow plough .....	5
Figure 2 — Side-mounted snow plough.....	6
Figure 3 — Variable V-plough.....	7
Figure 4 — Raising and lowering for snow plough.....	11

## Tables

Table 1 — Dimensions of snow plough ready for use.....	7
Table 2 — Dimensions of snow plough ready for use.....	11

## Foreword

This document (EN 15583-1:2009) has been prepared by Technical Committee CEN/TC 337 "Winter maintenance and road service area maintenance equipment", the secretariat of which is held by AFNOR.

This European Standard shall be given the status of a national standard, either by publication of an identical text or by endorsement, at the latest by December 2009, and conflicting national standards shall be withdrawn at the latest by December 2009.

Attention is drawn to the possibility that some of the elements of this document may be the subject of patent rights. CEN [and/or CENELEC] shall not be held responsible for identifying any or all such patent rights.

This document is one part of the series of co-ordinated standards of EN 15583 about "Winter maintenance equipment — Snow ploughs" comprising the other following part:

— *Part 2: Testing conditions* (in preparation).

According to the CEN/CENELEC Internal Regulations, the national standards organizations of the following countries are bound to implement this European Standard: Austria, Belgium, Bulgaria, Cyprus, Czech Republic, Denmark, Estonia, Finland, France, Germany, Greece, Hungary, Iceland, Ireland, Italy, Latvia, Lithuania, Luxembourg, Malta, Netherlands, Norway, Poland, Portugal, Romania, Slovakia, Slovenia, Spain, Sweden, Switzerland and the United Kingdom.

## 1 Scope

This document is valid for snow ploughs designed to be fitted to winter maintenance vehicles, on their front-mounting plates according to EN 15432 and also for side-mounted snow ploughs.

Demands on design and construction of front-mounted or side-mounted snow ploughs for winter service are determined by this document. This document is meant to assess the demands made on snow ploughs operated in traffic.

The document is valid for:

- single-side snow ploughs;
- variable V-ploughs.

The following points are not standardized by this document:

- v-shaped snow ploughs;
- requirements for registration and approval;
- requirements made by carrier vehicle manufacturers;
- requirements on safety – these are dealt with in EN 13021.

## 2 Normative references

The following referenced documents are indispensable for the application of this document. For dated references, only the edition cited applies. For undated references, the latest edition of the referenced document (including any amendments) applies.

EN 13021, *Winter service machines – Safety requirements*

EN 15144:2007, *Winter maintenance equipment – Terminology – Terms for winter maintenance*

EN 15431, *Winter and road service area maintenance equipments – Power system and related controls – Interchangeability and performance requirements*

EN 15432, *Winter and road service area maintenance equipments – Front-mounted equipments – Interchangeability*

## 3 Terms and definitions

For the purposes of this document the terms and definitions given in EN 15144:2007 apply.

### 3.1

#### **coupling level vertical**

vertical plane containing the exterior face of the coupling level and containing the centre of the mounting plate

### 3.2

#### **ice scraper**

implement to remove ice from the traffic area by scraping and pushing aside



## 4 Requirements

### 4.1 General

The snow plough shall be designed to enable handling during winter service and efficient mounting onto and demounting from a carrier vehicle. The snow plough is designed to clear snow or ice off traffic areas, by unsticking it laterally on one side or both sides.

### 4.2 Dimensions

The relevant geometrical configurations are defined as shown in Figures 1 and 2.

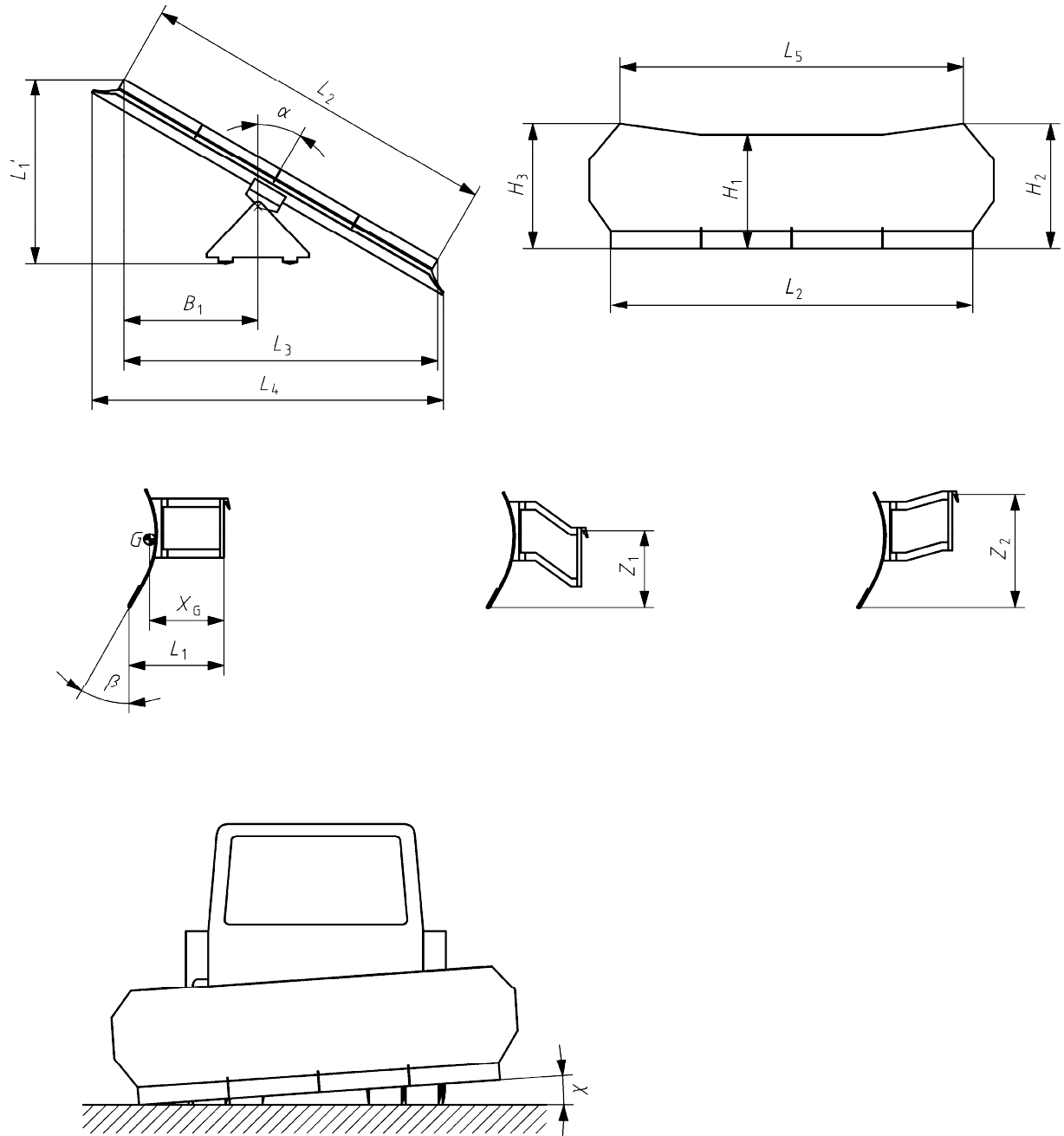


Figure 1 — Front-mounted snow plough

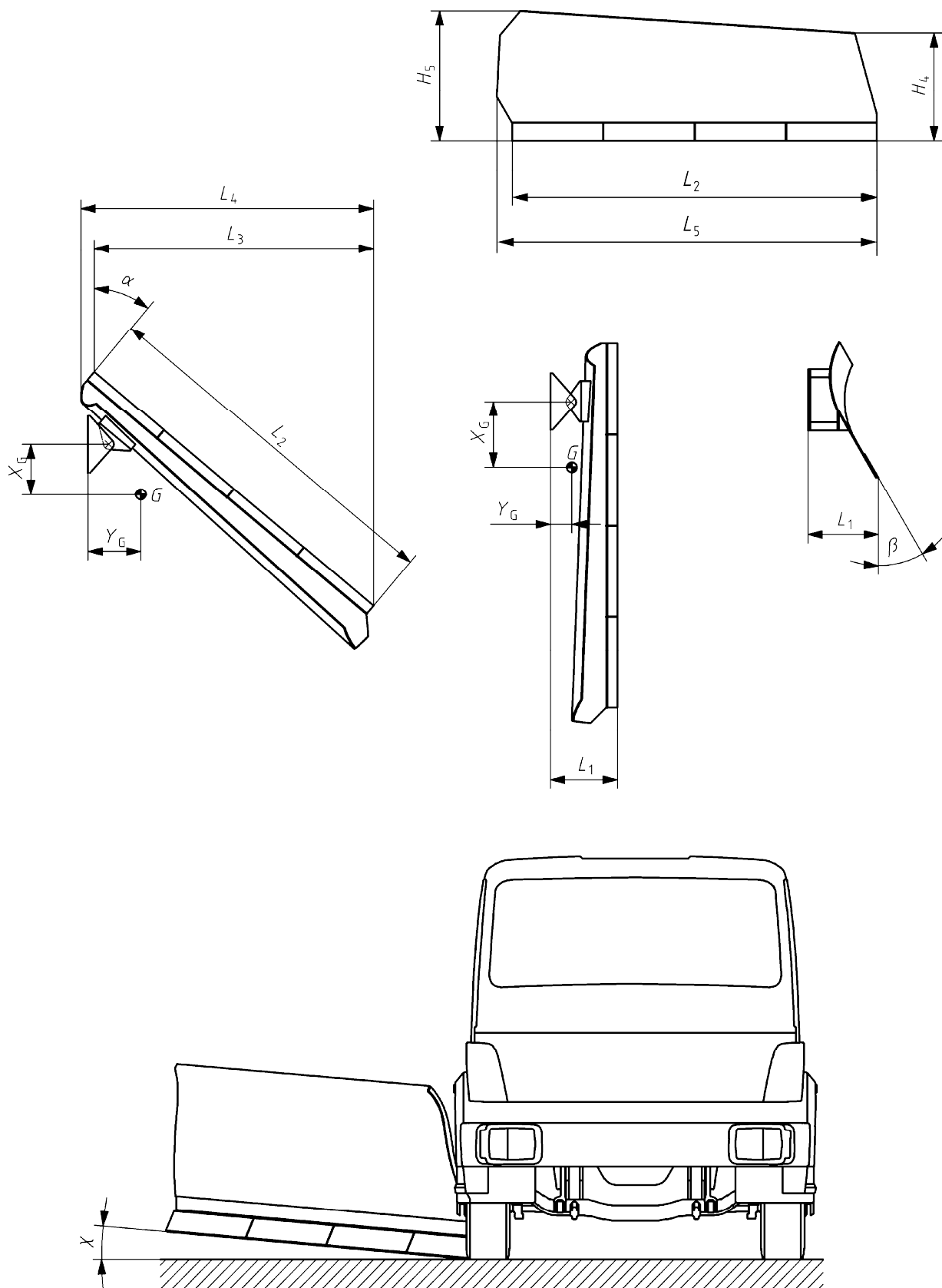


Figure 2 — Side-mounted snow plough

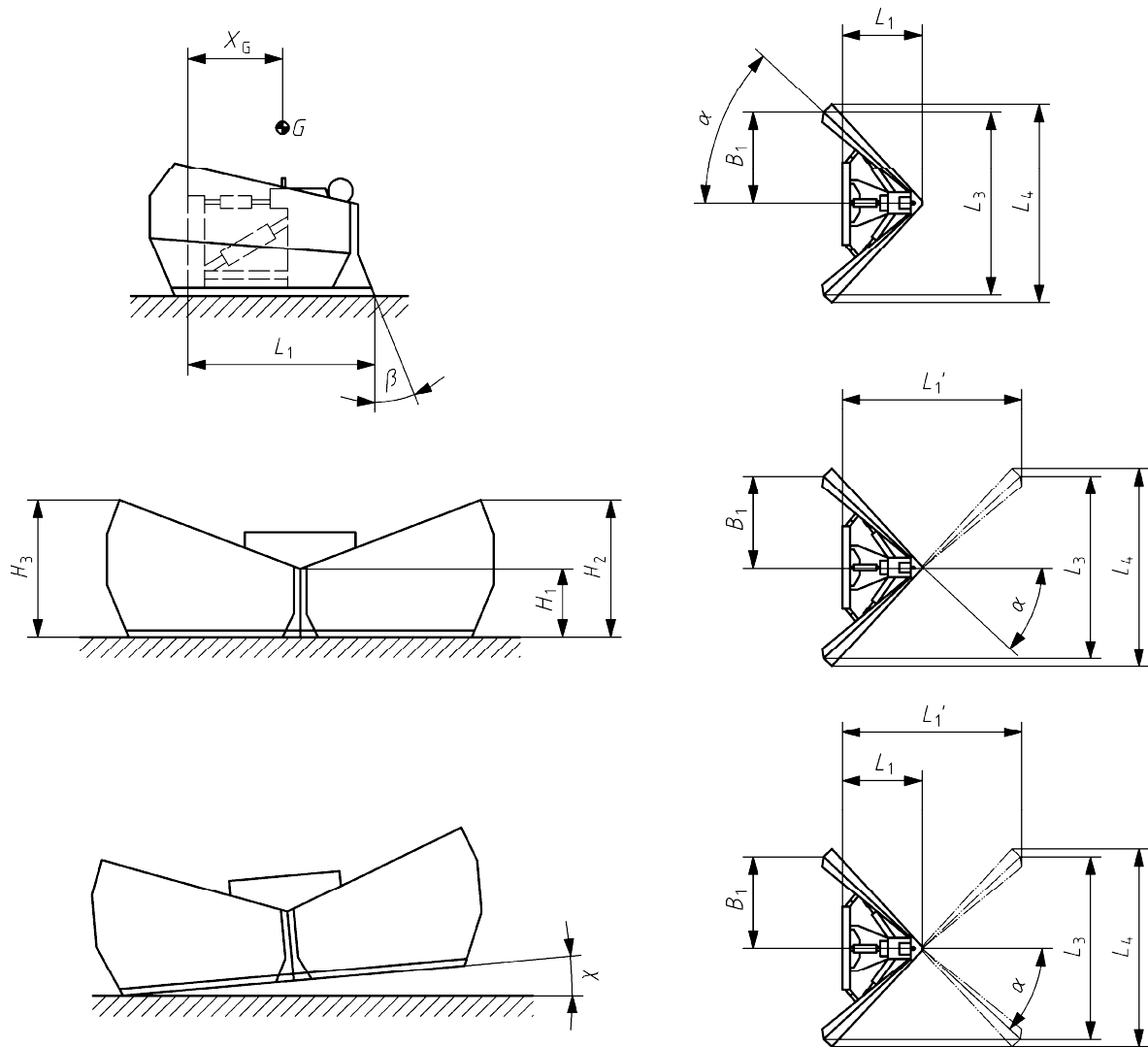


Figure 3 — Variable V-plough

Table 1 — Dimensions of snow plough ready for use

Measures		
Letter according to Figures 1 and 2	Designation	Requirements
$L_1$	Distance from coupling level to scraper blade/strip	
$L_1'$ <sup>a</sup>	Distance from coupling level to scraper blade/strip – plough swivelled	

<sup>a</sup> In case of use variable snow the manufacturer has to declare the minimum and maximum of  $L_1'$ ,  $L_2$ ,  $L_3$ ,  $L_4$ ,  $L_5$ ,  $B_1$ ...and if possible, dimensions in between.