

SVENSK STANDARD

SS-EN 1993-5:2007/AC:2009

Fastställt/Approved: 2009-05-25

Publicerad/Published: 2009-07-02

Utgåva/Edition: 1

Språk/Language: engelska/English

ICS: 91.010.30; 91.070.03; 91.070.60; 91.070.80; 91.080.10

Eurokod 3: Dimensionering av stålkonstruktioner – Del 5: Pålår och spont

Eurocode 3 – Design of steel structures – Part 5: Piling

This preview is downloaded from www.sis.se. Buy the entire standard via <https://www.sis.se/std-69762>

Hitta rätt produkt och ett leveranssätt som passar dig

Standarder

Genom att följa gällande standard både effektiviserar och säkrar du ditt arbete. Många standarder ingår dessutom ofta i paket.

Tjänster

Abonnemang är tjänsten där vi uppdaterar dig med aktuella standarder när förändringar sker på dem du valt att abonnera på.

På så sätt är du säker på att du alltid arbetar efter rätt utgåva.

e-nav är vår online-tjänst som ger dig och dina kollegor tillgång till standarder ni valt att abonnera på dygnet runt. Med e-nav kan samma standard användas av flera personer samtidigt.

Leveranssätt

Du väljer hur du vill ha dina standarder levererade. Vi kan erbjuda dig dem på papper och som pdf.

Andra produkter

Vi har böcker som underlättar arbetet att följa en standard. Med våra böcker får du ökad förståelse för hur standarder ska följas och vilka fördelar den ger dig i ditt arbete. Vi tar fram många egna publikationer och fungerar även som återförsäljare. Det gör att du hos oss kan hitta över 500 unika titlar. Vi har även tekniska rapporter, specifikationer och "workshop agreement".

Matriser är en översikt på standarder och handböcker som bör läsas tillsammans. De finns på sis.se och ger dig en bra bild över hur olika produkter hör ihop.

Standardiseringsprojekt

Du kan påverka innehållet i framtida standarder genom att delta i någon av SIS ca 400 Tekniska Kommittéer.

Find the right product and the type of delivery that suits you

Standards

By complying with current standards, you can make your work more efficient and ensure reliability. Also, several of the standards are often supplied in packages.

Services

Subscription is the service that keeps you up to date with current standards when changes occur in the ones you have chosen to subscribe to. This ensures that you are always working with the right edition.

e-nav is our online service that gives you and your colleagues access to the standards you subscribe to 24 hours a day. With e-nav, the same standards can be used by several people at once.

Type of delivery

You choose how you want your standards delivered. We can supply them both on paper and as PDF files.

Other products

We have books that facilitate standards compliance. They make it easier to understand how compliance works and how this benefits you in your operation. We produce many publications of our own, and also act as retailers. This means that we have more than 500 unique titles for you to choose from. We also have technical reports, specifications and workshop agreements.

Matrices, listed at sis.se, provide an overview of which publications belong together.

Standardisation project

You can influence the content of future standards by taking part in one or other of SIS's 400 or so Technical Committees.

Europastandarden EN 1993-5:2007/AC:2009 gäller som svensk standard. Detta dokument innehåller den engelska versionen av EN 1993-5:2007/AC:2009.

The European Standard EN 1993-5:2007/AC:2009 has the status of a Swedish Standard. This document contains the official English version of EN 1993-5:2007/AC:2009.

© Copyright/Upphovsrätten till denna produkt tillhör SIS, Swedish Standards Institute, Stockholm, Sverige. Användningen av denna produkt regleras av slutanvändarlicensen som återfinns i denna produkt, se standardens sista sidor.

© Copyright SIS, Swedish Standards Institute, Stockholm, Sweden. All rights reserved. The use of this product is governed by the end-user licence for this product. You will find the licence in the end of this document.

Upplysningar om sakinnehållet i standarden lämnas av SIS, Swedish Standards Institute, telefon 08-555 520 00.

Standarder kan beställas hos SIS Förlag AB som även lämnar allmänna upplysningar om svensk och utländsk standard.

Information about the content of the standard is available from the Swedish Standards Institute (SIS), tel +46 8 555 520 00.

Standards may be ordered from SIS Förlag AB, who can also provide general information about Swedish and foreign standards.

SIS Förlag AB, SE 118 80 Stockholm, Sweden. Tel: +46 8 555 523 10. Fax: +46 8 555 523 11.

E-mail: sis.sales@sis.se Internet: www.sis.se

EUROPEAN STANDARD

EN 1993-5:2007/AC

NORME EUROPÉENNE

EUROPÄISCHE NORM

May 2009

ICS 91.010.30; 91.080.10

English version

Eurocode 3 - Design of steel structures - Part 5: Piling

Eurocode 3 - Calcul des structures en acier
- Partie 5: Pieux et palplanches

Eurocode 3 - Bemessung und Konstruktion
von Stahlbauten - Teil 5: Pfähle und
Spundwände

This corrigendum becomes effective on 13 May 2009 for incorporation in the three official language versions of the EN.



EUROPEAN COMMITTEE FOR STANDARDIZATION
COMITÉ EUROPÉEN DE NORMALISATION
EUROPÄISCHES KOMITEE FÜR NORMUNG

Management Centre: Avenue Marnix 17, B-1000 Brussels

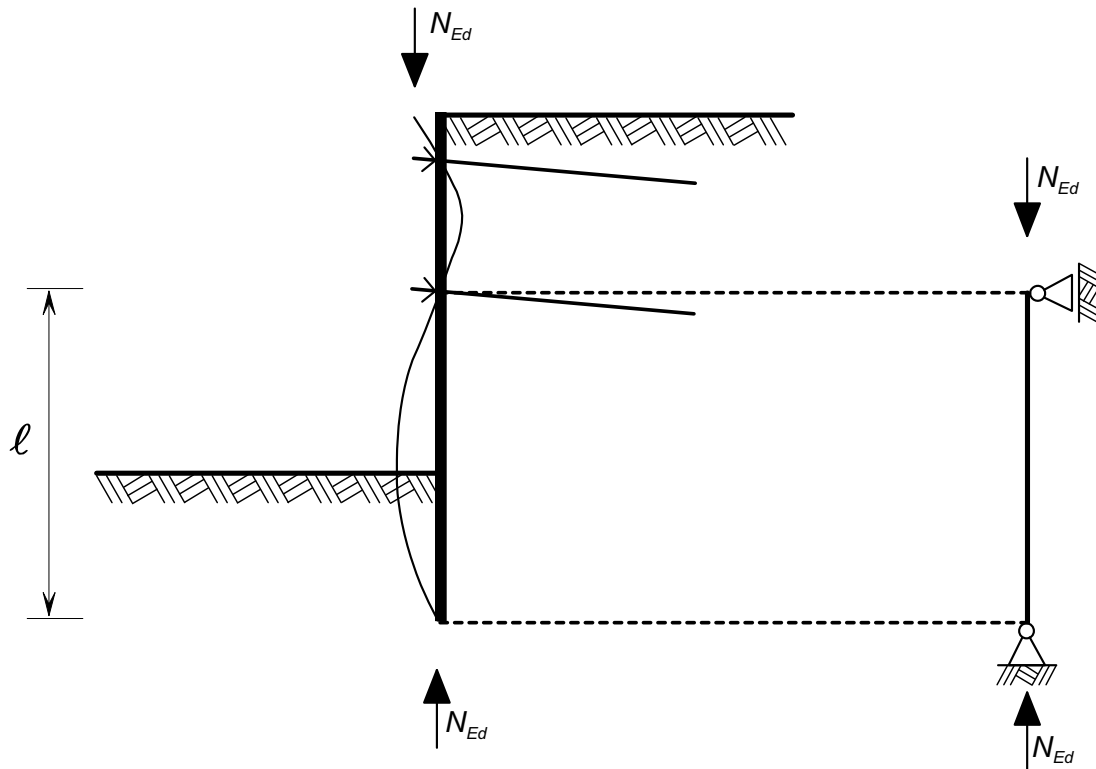
SS-EN 1993-5:2007/AC:2009 (E)

1) Modifications to 5.2.3

Paragraph "(6)", last sentence, replace "an additional pile length h according" with "an additional pile length Δh according".

Paragraph "(8)", replace "Figure 5-2" with the following one:

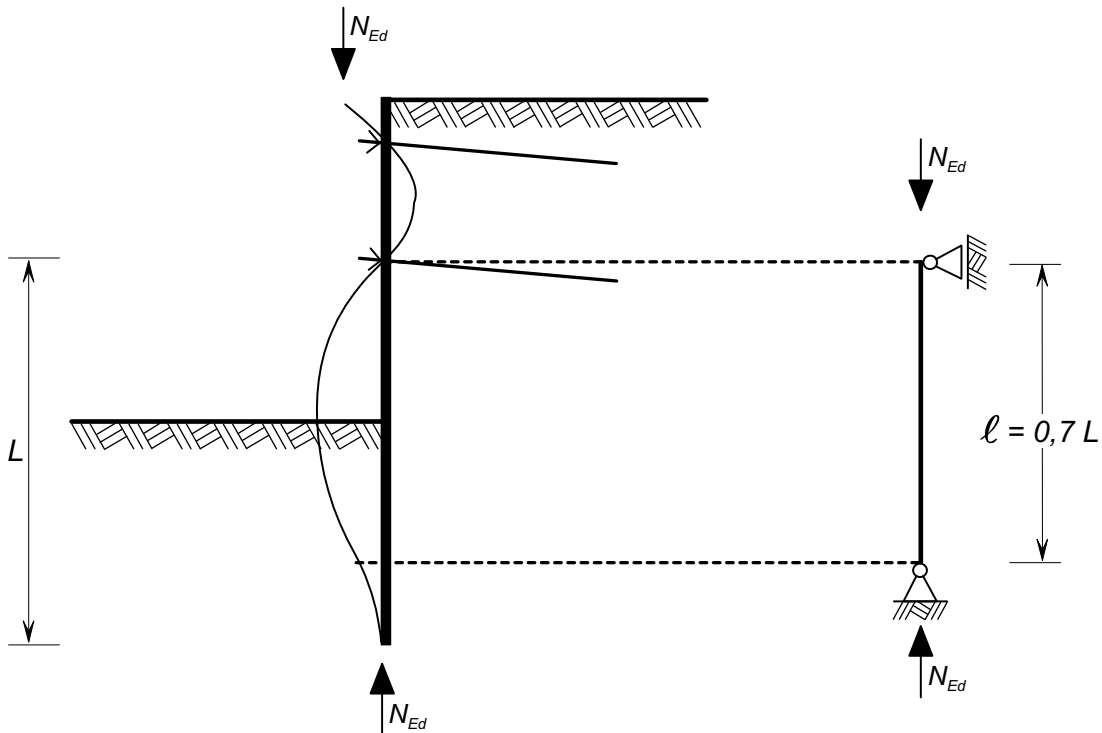
"



".

Paragraph "(8)", replace "Figure 5-3" with the following one:

"



."

2) Modifications to 5.2.5

Paragraph "(14)", Equation "(5.25)", replace " $F_{tc,Ed}$ " with " $F_{tm,Ed}$ ".

Paragraph "(14)", lines just under under Equation "(5.25)", 2nd line under "where:", replace " $F_{tc,Ed}$ " with " $F_{tm,Ed}$ ".

Paragraph "(14)", Equation "(5.26)", replace " $F_{tc,Ed}$ " with " $F_{tm,Ed}$ ".

Paragraph "(14)", Equation "(5.27)", replace " φ_d " with " φ_k ".

Paragraph "(14)", 1st line above "NOTE 1", replace " φ_d is the design value" with " φ_k is the characteristic value".

3) Modification to 5.3.3

Paragraph "(7)P", "Figure 5-8", replace:

- "1,0 connection B fixed and pinned
- 0,7 connection B fixed and restrained
- 2,0 connection B non fixed, but restrained"

with:

SS-EN 1993-5:2007/AC:2009 (E)

"1,0	connection B translation fixed and rotation free
0,7	connection B translation fixed and rotation fixed
2,0	connection B translation free and rotation fixed".

4) Modification to 7.1

Paragraph "(4)", replace " $\gamma_{Mt,ser}$ " with " $\gamma_{M3,ser}$ ".

5) Modifications to 7.2.3

Paragraph "(2)", replace the text of "NOTE 1" with: " k_t may be given in the National Annex. The recommended value for k_t is $k_t=0,6$. This is motivated for cases where possible bending in the anchor as an effect of actions is not made explicit. Only in cases where the structural detailing of the location where the anchor rod is joined to the wall is such that bending moments are avoided at that location, the recommended value for k_t may be chosen as $k_t=0,9$."

Paragraph "(4)", delete the whole Paragraph.

Paragraph "(5)", replace paragraph number "(5)" with "(4)".

Paragraph "(6)", replace paragraph number "(6)" with "(5)".

Paragraph "(7)", replace paragraph number "(7)" with "(6)".

Paragraph "(8)", replace paragraph number "(8)" with "(7)".