

SVENSK STANDARD

SS-ISO 26021-2:2008

Fastställt/Approved: 2008-09-01

Publicerad/Published: 2008-10-06

Utgåva/Edition: 1

Språk/Language: engelska/English

ICS: 43.040.80

Vägfordon – Aktivering av pyrotekniska enheter i fordon i samband med skrotning – Del 2: Kommunikationskrav (ISO 26021-2:2008, IDT)

Road vehicles – End-of-life activation of on-board pyrotechnic devices – Part 2: Communication requirements (ISO 26021-2:2008, IDT)

This preview is downloaded from www.sis.se. Buy the entire standard via <https://www.sis.se/std-67109>

Hitta rätt produkt och ett leveranssätt som passar dig

Standarder

Genom att följa gällande standard både effektiviserar och säkrar du ditt arbete. Många standarder ingår dessutom ofta i paket.

Tjänster

Abonnemang är tjänsten där vi uppdaterar dig med aktuella standarder när förändringar sker på dem du valt att abonnera på. På så sätt är du säker på att du alltid arbetar efter rätt utgåva.

e-nav är vår online-tjänst som ger dig och dina kollegor tillgång till standarder ni valt att abonnera på dygnet runt. Med e-nav kan samma standard användas av flera personer samtidigt.

Leveranssätt

Du väljer hur du vill ha dina standarder levererade. Vi kan erbjuda dig dem på papper och som pdf.

Andra produkter

Vi har böcker som underlättar arbetet att följa en standard. Med våra böcker får du ökad förståelse för hur standarder ska följas och vilka fördelar den ger dig i ditt arbete. Vi tar fram många egna publikationer och fungerar även som återförsäljare. Det gör att du hos oss kan hitta över 500 unika titlar. Vi har även tekniska rapporter, specifikationer och "workshop agreement".

Matriser är en översikt på standarder och handböcker som bör läsas tillsammans. De finns på sis.se och ger dig en bra bild över hur olika produkter hör ihop.

Standardiseringsprojekt

Du kan påverka innehållet i framtida standarder genom att delta i någon av SIS ca 400 Tekniska Kommittéer.

Find the right product and the type of delivery that suits you

Standards

By complying with current standards, you can make your work more efficient and ensure reliability. Also, several of the standards are often supplied in packages.

Services

Subscription is the service that keeps you up to date with current standards when changes occur in the ones you have chosen to subscribe to. This ensures that you are always working with the right edition.

e-nav is our online service that gives you and your colleagues access to the standards you subscribe to 24 hours a day. With e-nav, the same standards can be used by several people at once.

Type of delivery

You choose how you want your standards delivered. We can supply them both on paper and as PDF files.

Other products

We have books that facilitate standards compliance. They make it easier to understand how compliance works and how this benefits you in your operation. We produce many publications of our own, and also act as retailers. This means that we have more than 500 unique titles for you to choose from. We also have technical reports, specifications and workshop agreements.

Matrices, listed at sis.se, provide an overview of which publications belong together.

Standardisation project

You can influence the content of future standards by taking part in one or other of SIS's 400 or so Technical Committees.

Europastandarden ISO 26021-2:2008 gäller som svensk standard. Detta dokument innehåller den officiella engelska versionen av ISO 26021-2:2008.

The European Standard ISO 26021-2:2008 has the status of a Swedish Standard. This document contains the official English version of ISO 26021-2:2008.

© Copyright/Upphovsrätten till denna produkt tillhör SIS, Swedish Standards Institute, Stockholm, Sverige. Användningen av denna produkt regleras av slutanvändarlicensen som återfinns i denna produkt, se standardens sista sidor.

© Copyright SIS, Swedish Standards Institute, Stockholm, Sweden. All rights reserved. The use of this product is governed by the end-user licence for this product. You will find the licence in the end of this document.

Upplysningar om sakinnehållet i standarden lämnas av SIS, Swedish Standards Institute, telefon 08-555 520 00.

Standarder kan beställas hos SIS Förlag AB som även lämnar allmänna upplysningar om svensk och utländsk standard.

Information about the content of the standard is available from the Swedish Standards Institute (SIS), tel +46 8 555 520 00.

Standards may be ordered from SIS Förlag AB, who can also provide general information about Swedish and foreign standards.

SIS Förlag AB, SE 118 80 Stockholm, Sweden. Tel: +46 8 555 523 10. Fax: +46 8 555 523 11.

E-mail: sis.sales@sis.se Internet: www.sis.se

Contents	Page
Foreword	iv
Introduction	v
1 Scope	1
2 Normative references	1
3 Terms and definitions	2
4 Symbols and abbreviated terms	2
5 Conventions	3
6 Pyrotechnic device deployment via on-board diagnostic architecture	3
6.1 Vehicle system description	3
6.2 Example of in-vehicle hardware and software required	4
6.3 Additional communication line (optional).....	5
6.4 Requirements for the PDT	5
7 Relationship to existing standards	6
7.1 General.....	6
7.2 Application layer.....	6
7.3 Session layer.....	6
7.4 Application layer and diagnostic session management timing.....	6
7.5 Network layer	7
7.6 Data link layer.....	7
7.7 Data link layer.....	9
7.8 Physical layer	9
8 Deployment process	9
8.1 General information.....	9
8.2 System preconditions	9
8.3 Initiation of the communication between PDT and PCU.....	10
8.4 Deployment process description	11
8.5 Software provisions.....	19
8.6 Error handling and reaction.....	20
9 Communication with diagnostic services	21
9.1 Unified diagnostic services overview.....	21
9.2 Diagnostic session control (10 hex) service.....	21
9.3 EcuReset (11 hex) service	22
9.4 Read data by identifier (22 hex) service	22
9.5 Write data by identifier (2E hex) service	29
9.6 Security access (27 hex) service.....	30
9.7 RoutineControl (31 hex) service.....	31
9.8 TesterPresent (3E hex) service	35
Annex A (normative) Specification of the data identifier used	36
Annex B (normative) Deployment loop parameter definitions	41
Annex C (normative) Routine control parameter definitions	47
Bibliography	49

Foreword

ISO (the International Organization for Standardization) is a worldwide federation of national standards bodies (ISO member bodies). The work of preparing International Standards is normally carried out through ISO technical committees. Each member body interested in a subject for which a technical committee has been established has the right to be represented on that committee. International organizations, governmental and non-governmental, in liaison with ISO, also take part in the work. ISO collaborates closely with the International Electrotechnical Commission (IEC) on all matters of electrotechnical standardization.

International Standards are drafted in accordance with the rules given in the ISO/IEC Directives, Part 2.

The main task of technical committees is to prepare International Standards. Draft International Standards adopted by the technical committees are circulated to the member bodies for voting. Publication as an International Standard requires approval by at least 75 % of the member bodies casting a vote.

Attention is drawn to the possibility that some of the elements of this document may be the subject of patent rights. ISO shall not be held responsible for identifying any or all such patent rights.

ISO 26021-2 was prepared by Technical Committee ISO/TC 22, *Road vehicles*, Subcommittee SC 3, *Electrical and electronic equipment*.

ISO 26021 consists of the following parts, under the general title *Road vehicles — End-of-life activation of on-board pyrotechnic devices*:

- *Part 1: General information and use case definitions*
- *Part 2: Communication requirements*
- *Part 3: Tool requirements*
- *Part 4: Additional communication line with bidirectional communication*
- *Part 5: Additional communication line with pulse width modulated signal*

NOTE Additional parts will be introduced as necessary to take into account requirements not yet covered by the standard.

SS-ISO 26021-2:2008 (E)

Introduction

ISO 26021 describes a method for the in-vehicle deployment of pyrotechnically activated components (also referred to as pyrotechnic components or pyrotechnic devices) in cars.

Worldwide, nearly all new vehicles are equipped with one or more safety systems. Advanced protection systems using pyrotechnic actuators are becoming more common. All components which contain pyrotechnic substances should be handled in the same way.

Recycling of these vehicles requires a new process which ensures that the deactivation of airbags will be safe and cost-efficient. Based on the harmonization of the on-board diagnostics (OBD) interface, there is an opportunity to use this interface for on-board deployment, utilizing the same tools and processes.

The representatives of the global automobile industry have decided the following:

- automobile manufacturers do not support reuse as an appropriate treatment method for pyrotechnic devices;
- automobile manufacturers believe treatment of pyrotechnic devices is required before shredding;
- automobile manufacturers support in-vehicle deployment as the preferred method.

Based on this decision, the four major automobile manufacturer associations (ACEA, Alliance, JAMA and KAMA) started to develop a method for the in-vehicle deployment of pyrotechnic components in cars with the pyrotechnic device deployment tool (PDT). The vision is that, one day, a dismantler will need only one tool without any accessories in order to deploy all the pyrotechnic devices inside an end-of-life vehicle (ELV). The target is to use an existing interface to the car.

This part of ISO 26021 is applicable to the in-vehicle deployment of pyrotechnic devices in vehicles. It defines communication methods to be implemented by a pyrotechnic control unit (PCU) to allow the PDT to successfully establish and maintain communication with the PCUs in the vehicle to deploy all of the pyrotechnic devices sequentially.

Road vehicles — End-of-life activation of on-board pyrotechnic devices —

Part 2: Communication requirements

1 Scope

This part of ISO 26021 defines the deployment process, the system architecture, CAN-based communication methods and system preconditions which have to be implemented to fulfil the use cases defined in ISO 26021-1. Additionally, the relationship to and use with other existing standards are defined.

This part of ISO 26021 also describes the technical details of the on-board deployment method. The way in which the pyrotechnic devices contained in the vehicle function in conjunction with the PDT is the primary focus of this document. Under the provisions of this document, the design of the PDT or PCU can be implemented in accordance with specific functionality and hardware requirements.

This part of ISO 26021 specifies the access to the PCU. This includes communication as well as the logic sequences which are involved during the activation process.

2 Normative references

The following referenced documents are indispensable for the application of this document. For dated references, only the edition cited applies. For undated references, the latest edition of the referenced document (including any amendments) applies.

ISO/IEC 10731, *Information technology — Open Systems Interconnection — Basic Reference Model — Conventions for the definition of OSI services*

ISO 11898-1, *Road vehicles — Controller area network (CAN) — Part 1: Data link layer and physical signalling*

ISO 14229-1, *Road vehicles — Unified diagnostic services (UDS) — Part 1: Specification and requirements*

ISO 15031-3, *Road vehicles — Communication between vehicle and external equipment for emissions-related diagnostics — Part 3: Diagnostic connector and related electrical circuits, specification and use*

ISO 15765-2:2004, *Road vehicles — Diagnostics on Controller Area Networks (CAN) — Part 2: Network layer services*

ISO 15765-3:2004, *Road vehicles — Diagnostics on Controller Area Networks (CAN) — Part 3: Implementation of unified diagnostic services (UDS on CAN)*

ISO 15765-4, *Road vehicles — Diagnostics on Controller Area Networks (CAN) — Part 4: Requirements for emissions-related systems*

ISO 26021-1, *Road vehicles — End-of-life activation of on-board pyrotechnic devices — Part 1: General information and use case definitions*

ISO 26021-4, *Road vehicles — End-of-life activation of on-board pyrotechnic devices — Part 4: Additional communication line with bidirectional communication*

SS-ISO 26021-2:2008 (E)

ISO 26021-5, *Road vehicles — End-of-life activation of on-board pyrotechnic devices — Part 5: Additional communication line with pulse width modulated signal*

3 Terms and definitions

For the purposes of this document, the terms and definitions given in ISO 14229-1 and the following apply.

3.1
key
data value sent from the external test equipment to the on-board controller in response to the seed in order to gain access to the locked services

3.2
pyrotechnic device deployment tool
tool designed to be plugged into the OBD interface in order to communicate via the internal computer network in an end-of-life vehicle with all control units which are able to activate pyrotechnic devices

NOTE This tool will comprise e.g. a computer, a connection between the computer and the diagnostic connector, and some software.

3.3
pyrotechnic control unit
PCU
electronic control unit in the vehicle network which controls the activation of pyrotechnic devices

3.4
safing
mechanism whose primary purpose is to prevent an unintended functioning of the PCU processor prior to detection of a crash situation

3.5
safing unit
part of the PCU (e.g. an electromechanically operated switch or a separate processor) that allows the pyrotechnic component deployment microprocessor (μ P) to deploy the pyrotechnic devices via the driver stage

3.6
scrapping program module
module responsible for firing the selected pyrotechnic device loops one by one

3.7
scrapping program module loader
module responsible for converting the scrapping program module to an executable format

3.8
seed
pseudo-random data value sent from the on-board controller to the external test equipment, which is processed by the security algorithm to produce the key

4 Symbols and abbreviated terms

ACL	additional communication line
CAN	controller area network
ELV	end-of-life vehicle
OBD	on-board diagnostics

PCU	pyrotechnic control unit
PDT	pyrotechnic device deployment tool
RAM	random access memory
SPL	scrapping program module loader
SPM	scrapping program module
SRS	supplementary restraint system
µC	microcontroller

5 Conventions

ISO 26021 is based on the conventions for the definition of OSI services (see ISO/IEC 10731) as they apply to diagnostic services.

6 Pyrotechnic device deployment via on-board diagnostic architecture

6.1 Vehicle system description

ISO 26021 is based on a vision of the diagnostic network architecture in combination with the PCU deployment architecture that is described below.

The PCU is connected to the vehicle diagnostic connector in accordance with ISO 15031-3. The PDT communicates with the PCU on CAN_H and CAN_L, which are the mandatory vehicle interfaces.

Depending upon the specific architecture of the vehicle, the mandatory link of the PCU may be connected via a gateway to the diagnostic connector; thus a CAN interface in the PCU for the mandatory link may not be required.

During the deployment procedure, the vehicle PCUs shall be powered by the vehicle battery or, if the battery is flat, by connecting an external power source to the battery terminals.

This requires an undamaged electrical architecture for the devices involved.

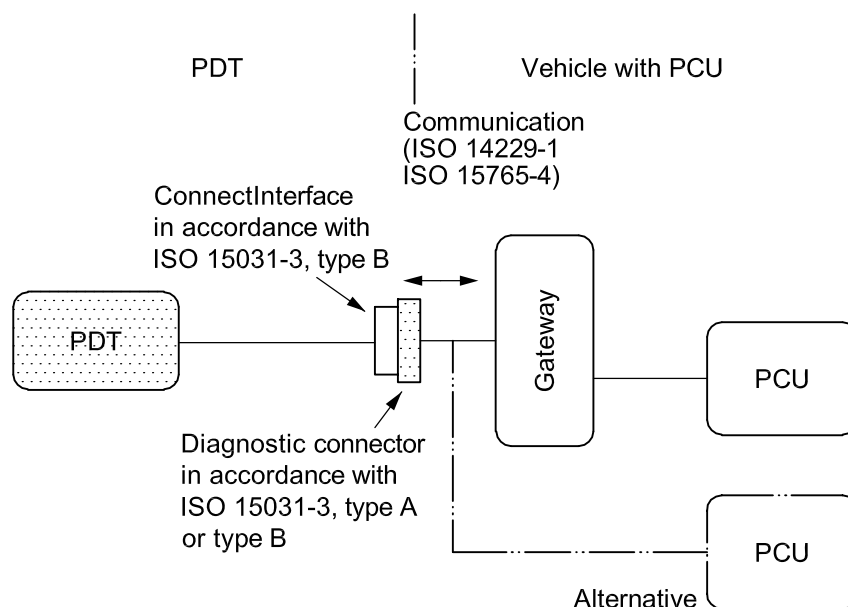


Figure 1 — Access to the vehicle via diagnostic connector

SS-ISO 26021-2:2008 (E)

To interface the PCU with the vehicle, a PDT to diagnostic connector interface shall be used. The purpose of this interface is to

- provide the CAN bus interface and optional ACL interface with the vehicle;
- provide widely known standard wire interfaces like UART (RS232) or USB, or wireless interfaces like BLUETOOTH and WLAN.

The PDT could be based on a PC architecture running the operation system and application software from a bootable compact disc (CD) to avoid independence from software of any operating system, or the PDT could consist of a separate operating console.

6.2 Example of in-vehicle hardware and software required

To execute the on-board deployment via the communication link, the software inside the PCU shall have full access to the output driver stage, which controls the deployment loops.

In the solution without an ACL, a mechanical acceleration switch in the deployment loop circuit would not be able to carry out the redundant safing function.

To achieve a reasonable functionality without the classical safing design, an independent electronic safing unit is recommended due to the different safing philosophies of the various vehicle manufacturers. This unit could receive the required safing acceleration data from a second acceleration sensor inside the PCU or from an external frontal sensor.

Thus the deployment loop output stage is controlled by two independent branches. Depending on the safing philosophy of the vehicle manufacturer, the safing path could be controlled via the optional ACL or the main deployment processor.

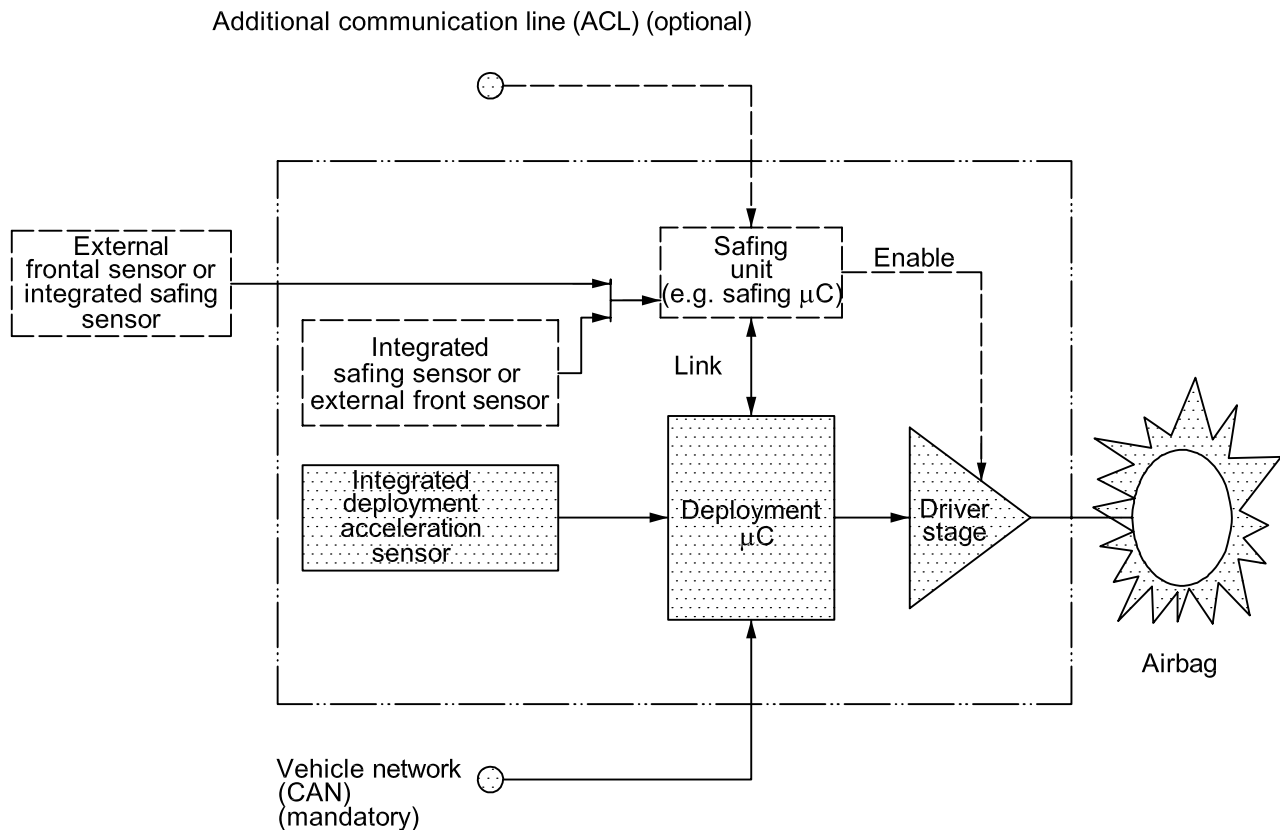


Figure 2 — Overview of hardware and software required

6.3 Additional communication line (optional)

For special safety requirements, an additional signal can be applied. General requirements for the interface between the deployment sequence and the ACL sequence are as shown in Figure 3.

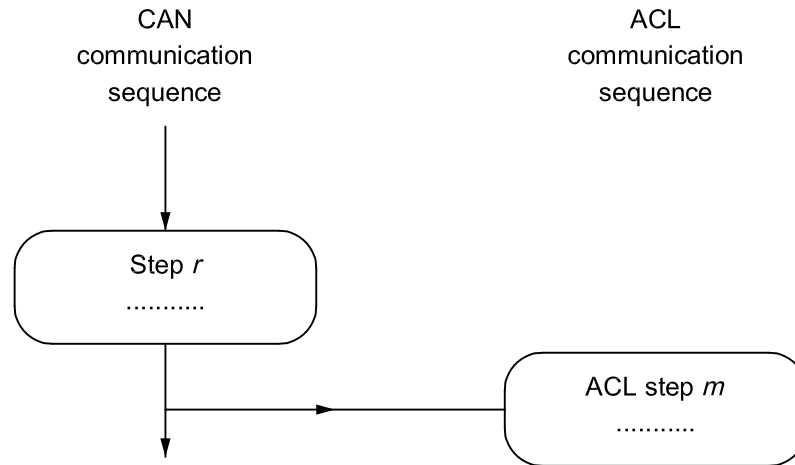


Figure 3 — Integration of ACL communication into deployment process

The standardized steps specify the diagnostic sequence. This type of step is mandatory. The PDT and the PCU shall behave as specified. The optional steps are necessary if the original equipment manufacturer (OEM) chooses the additional communication line. Optional ACL steps will depend on the use of the ACL option. Only while communicating with a PCU having an ACL is the PDT allowed to connect with the ACL line. These steps are mandatory only for the optional ACL. These optional steps are detailed in ISO 26021-4 and ISO 26021-5.

6.4 Requirements for the PDT

6.4.1 Power supply

This subclause defines the requirements for the PDT to be able to establish communication with the PCUs and successfully activate the pyrotechnic devices installed in the vehicle.

The PCUs shall be powered internally so that they are independent of the power supply of the vehicle even if pins 4 and 16 on the diagnostic connector provide a permanent power supply when the vehicle is powered.

This is to achieve robustness against a damaged power supply in the diagnostic connector. However, the tool may provide the capability to recharge its internal batteries using pins 4 and 16 of the diagnostic connector if the power supply on these pins has not been damaged.

6.4.2 Initial condition of vehicle

The operation can only start if full access to the vehicle is granted via a suitable identification method (e.g. ignition key or keyless entry unit).

It is necessary to ensure that the vehicle's electronic system is active for communication via the diagnostic connector.

6.4.3 Safety requirements

To execute the on-board deployment function via the diagnostic connection, a software module inside the PCU is required which performs the necessary steps to control the output stages, overrides the safing unit (alternative use of ACL) and carries out the communication to the PDT. To avoid any inadvertent deployment