

SVENSK STANDARD

SS-ISO 9449:2007

Fastställt/Approved: 2007-09-07

Publicerad/Published: 2007-10-08

Utgåva/Edition: 2

Språk/Language: engelska/English

ICS: 25.120.30

Formverktyg – Centreringshylsor (ISO 9449:2007, IDT)

Tools for moulding – Centring sleeves (ISO 9449:2007, IDT)

This preview is downloaded from www.sis.se. Buy the entire standard via <https://www.sis.se/std-63086>



SWEDISH
STANDARDS
INSTITUTE

Hitta rätt produkt och ett leveranssätt som passar dig

Standarder

Genom att följa gällande standard både effektiviserar och säkrar du ditt arbete. Många standarder ingår dessutom ofta i paket.

Tjänster

Abonnemang är tjänsten där vi uppdaterar dig med aktuella standarder när förändringar sker på dem du valt att abonnera på. På så sätt är du säker på att du alltid arbetar efter rätt utgåva.

e-nav är vår online-tjänst som ger dig och dina kollegor tillgång till standarder ni valt att abonnera på dygnet runt. Med e-nav kan samma standard användas av flera personer samtidigt.

Leveranssätt

Du väljer hur du vill ha dina standarder levererade. Vi kan erbjuda dig dem på papper och som pdf.

Andra produkter

Vi har böcker som underlättar arbetet att följa en standard. Med våra böcker får du ökad förståelse för hur standarder ska följas och vilka fördelar den ger dig i ditt arbete. Vi tar fram många egna publikationer och fungerar även som återförsäljare. Det gör att du hos oss kan hitta över 500 unika titlar.

Matriser är en översikt på standarder och handböcker som bör läsas tillsammans. De finns på sis.se och ger dig en bra bild över hur olika produkter hör ihop.

Find the right product and the type of delivery that suits you

Standards

By complying with current standards, you can make your work more efficient and ensure reliability. Also, several of the standards are often supplied in packages.

Services

Subscription is the service that keeps you up to date with current standards when changes occur in the ones you have chosen to subscribe to. This ensures that you are always working with the right edition.

e-nav is our online service that gives you and your colleagues access to the standards you subscribe to 24 hours a day. With e-nav, the same standards can be used by several people at once.

Type of delivery

You choose how you want your standards delivered. We can supply them both on paper and as PDF files.

Other products

We have books that facilitate standards compliance. They make it easier to understand how compliance works and how this benefits you in your operation. We produce many publications of our own, and also act as retailers. This means that we have more than 500 unique titles for you to choose from.

Matrices, listed at sis.se, provide an overview of which publications belong together.

Den internationella standarden ISO 9449:2007 gäller som svensk standard. Detta dokument innehåller den officiella engelska versionen av ISO 9449:2007.

Denna standard ersätter SS-ISO 9449, utgåva 1.

The International Standard ISO 9449:2007 has the status of a Swedish Standard. This document contains the official English version of ISO 9449:2007.

This standard supersedes the Swedish Standard SS-ISO 9449, edition 1.

© Copyright/Upphovsrätten till denna produkt tillhör SIS, Swedish Standards Institute, Stockholm, Sverige. Användningen av denna produkt regleras av slutanvändarlicensen som återfinns i denna produkt, se standardens sista sidor.

© Copyright SIS, Swedish Standards Institute, Stockholm, Sweden. All rights reserved. The use of this product is governed by the end-user licence for this product. You will find the licence in the end of this document.

Upplysningar om sakinnehållet i standarden lämnas av SIS, Swedish Standards Institute, telefon 08-555 520 00. Standarder kan beställas hos SIS Förlag AB som även lämnar allmänna upplysningar om svensk och utländsk standard.

Information about the content of the standard is available from the Swedish Standards Institute (SIS), tel +46 8 555 520 00. Standards may be ordered from SIS Förlag AB, who can also provide general information about Swedish and foreign standards.

Foreword

ISO (the International Organization for Standardization) is a worldwide federation of national standards bodies (ISO member bodies). The work of preparing International Standards is normally carried out through ISO technical committees. Each member body interested in a subject for which a technical committee has been established has the right to be represented on that committee. International organizations, governmental and non-governmental, in liaison with ISO, also take part in the work. ISO collaborates closely with the International Electrotechnical Commission (IEC) on all matters of electrotechnical standardization.

International Standards are drafted in accordance with the rules given in the ISO/IEC Directives, Part 2.

The main task of technical committees is to prepare International Standards. Draft International Standards adopted by the technical committees are circulated to the member bodies for voting. Publication as an International Standard requires approval by at least 75 % of the member bodies casting a vote.

Attention is drawn to the possibility that some of the elements of this document may be the subject of patent rights. ISO shall not be held responsible for identifying any or all such patent rights.

ISO 9449 was prepared by Technical Committee ISO/TC 29, *Small tools*, Subcommittee SC 8, *Tools for pressing and moulding*.

This second edition cancels and replaces the first edition (ISO 9449:1990), of which it constitutes a minor revision. In particular, the indication of surface textures has been updated in accordance with ISO 1302:2002.

Tools for moulding — Centring sleeves

1 Scope

This International Standard specifies the dimensions and tolerances, in millimetres, for centring sleeves intended to be used for locating the spacing blocks in relation to the fixed clamp plates in moulds.

It gives indications concerning materials and hardness, and specifies the designation of centring sleeves which meet the requirements of this International Standard.

2 Dimensions

The dimensions of centring sleeves shall conform to the indications of Figure 1 and Table 1.

3 Material and corresponding hardness

The material and corresponding hardness are left to the manufacturer's discretion.

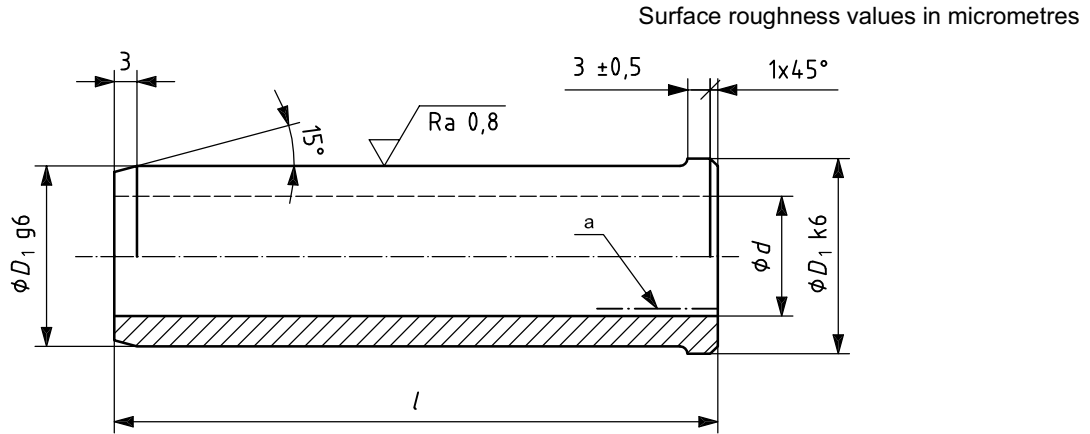
4 Designation

A centring sleeves in accordance with this International Standard shall be designated by:

- a) "centring sleeve";
- b) a reference to this International Standard, i.e. ISO 9449;
- c) its internal diameter, d ;
- d) its length, l .

EXAMPLE The designation for a centring sleeve of internal diameter $d = 12$ mm and length $l = 20$ mm is as follows:

Centring sleeve ISO 9449 - 12 × 20



NOTE The centring sleeves are intended to fit in bores having a tolerance H7.

^a The design of the rear part, for extraction purposes, is left to the manufacturer's discretion.

Figure 1 — Centring sleeves

Table 1 — Dimensions of centring sleeves

<i>l</i> 0 -1	<i>d</i> +1,5 +0,5						
	12	16	20	25	32	40	50
	<i>D</i> ₁ ^a						
	18	22	28	32	40	50	63
20	x	x					
25	x	x					
32	x	x	x				
40	x	x	x				
50	x	x	x				
(56)	x	x	x	x			
63	x	x	x	x			
(71)	x	x	x	x			
80	x	x	x	x	x		
(90)	x	x	x	x	x		
100	x	x	x	x	x		
112		x	x	x	x		
125			x	x	x	x	x
(140)			x	x	x	x	x
160			x	x	x	x	x
(180)					x	x	x
200						x	x
NOTE Values show in parentheses are to be avoided.							
^a See Figure 1 for tolerances.							