

**Järnvägar – Klassificeringssystem för
järnvägsfordon –**
Del 3: Regler för beteckning av installations- och
monteringsplatser

**Railway applications – Designation system for
railway vehicles –**
Part 3: Designation of installation sites and locations

Europastandarden EN 15380-3:2006 gäller som svensk standard. Detta dokument innehåller den officiella engelska versionen av EN 15380-3:2006.

The European Standard EN 15380-3:2006 has the status of a Swedish Standard. This document contains the official English version of EN 15380-3:2006.

Uppllysningar om **sakinnehållet** i standarden lämnas av SIS, Swedish Standards Institute, telefon 08 - 555 520 00.

Standarder kan beställas hos SIS Förlag AB som även lämnar **allmänna uppllysningar** om svensk och utländsk standard.

Postadress: SIS Förlag AB, 118 80 STOCKHOLM
Telefon: 08 - 555 523 10. *Telefax:* 08 - 555 523 11
E-post: sis.sales@sis.se. *Internet:* www.sis.se

EUROPEAN STANDARD

EN 15380-3

NORME EUROPÉENNE

EUROPÄISCHE NORM

April 2006

ICS 01.110; 45.060.01

English Version

Railway applications - Designation system for railway vehicles - Part 3: Designation of installation sites and locations

Applications ferroviaires - Système de classification pour
véhicules ferroviaires - Partie 3: Description des positions
d'installation

Bahnanwendungen - Kennzeichnungssystematik für
Schienenfahrzeuge - Teil 3: Kennzeichnung von
Aufstellungs- und Einbauorten

This European Standard was approved by CEN on 6 March 2006.

CEN members are bound to comply with the CEN/CENELEC Internal Regulations which stipulate the conditions for giving this European Standard the status of a national standard without any alteration. Up-to-date lists and bibliographical references concerning such national standards may be obtained on application to the Central Secretariat or to any CEN member.

This European Standard exists in three official versions (English, French, German). A version in any other language made by translation under the responsibility of a CEN member into its own language and notified to the Central Secretariat has the same status as the official versions.

CEN members are the national standards bodies of Austria, Belgium, Cyprus, Czech Republic, Denmark, Estonia, Finland, France, Germany, Greece, Hungary, Iceland, Ireland, Italy, Latvia, Lithuania, Luxembourg, Malta, Netherlands, Norway, Poland, Portugal, Romania, Slovakia, Slovenia, Spain, Sweden, Switzerland and United Kingdom.



EUROPEAN COMMITTEE FOR STANDARDIZATION
COMITÉ EUROPÉEN DE NORMALISATION
EUROPÄISCHES KOMITEE FÜR NORMUNG

Management Centre: rue de Stassart, 36 B-1050 Brussels

Contents

Page

Foreword.....	3
Introduction	4
1 Scope	4
2 Normative references	4
3 Terms and definitions	4
4 Designation of installation sites.....	4
4.1 General.....	4
4.2 Designation set	5
5 Designation of locations	6
5.1 General.....	6
5.2 Designation set	6
Annex A (informative) Examples of installation site and location designation.....	9
Bibliography	12

List of Tables

Table 1 — Location subdivision.....	8
-------------------------------------	---

List of Figures

Figure 1 — Designation principle.....	5
Figure 2 — Example of installation site vehicle designation	5
Figure 3 — Location designation principle	6
Figure 4 — Example of a location designation.....	7
Figure 5 — Example of a location designation with product group and location given	7
Figure A.1 — Examples of installation site and location designation	9
Figure A.2 — Designation of locations on a locomotive	10
Figure A.3 — Designation of locations on a 3-compartment suburban vehicle	11

Foreword

This document (EN 15380-3:2006) has been prepared by Technical Committee CEN/TC 256 “Railway applications”, the secretariat of which is held by DIN.

This European Standard shall be given the status of a national standard, either by publication of an identical text or by endorsement, at the latest by October 2006, and conflicting national standards shall be withdrawn at the latest by October 2006.

The EN 15380 series of standards, *Railway applications – Designation system for railway vehicles* consists of:

- *Part 1: General principles*
- *Part 2: Product groups*
- *Part 3: Designation of installation sites and locations*

This European Standard is based on Part 4 of the DIN 25002 series of standards. After approval, the text of DIN 25002-4 submitted to the PQ procedure was brought into line with the formal requirements of an EN. The resulting editorial amendments have led to slightly modified wordings but they have no effect on the technical content of this document.

According to the CEN/CENELEC Internal Regulations, the national standards organizations of the following countries are bound to implement this European Standard: Austria, Belgium, Cyprus, Czech Republic, Denmark, Estonia, Finland, France, Germany, Greece, Hungary, Iceland, Ireland, Italy, Latvia, Lithuania, Luxembourg, Malta, Netherlands, Norway, Poland, Portugal, Romania, Slovakia, Slovenia, Spain, Sweden, Switzerland and the United Kingdom.

EN 15380-3:2006 (E)

Introduction

Giving the location designations is necessary in order to systematize installation planning and to provide traceability of vehicle parts, structural units, combined assemblies and objects.

1 Scope

As a railway-specific technical standard, this document gives rules for the designation of installation sites and locations in railway vehicles.

2 Normative references

The following referenced documents are indispensable for the application of this European Standard. For dated references, only the edition cited applies. For undated references, the latest edition of the referenced document (including any amendments) applies.

EN 15380-1:2006, *Railway applications — Designation system for railway vehicles — Part 1: General principles*

EN 15380-2, *Railway applications — Designation system for railway vehicles — Part 2: Product groups*

3 Terms and definitions

For the purposes of this document, the terms given in EN 15380-1:2006 apply.

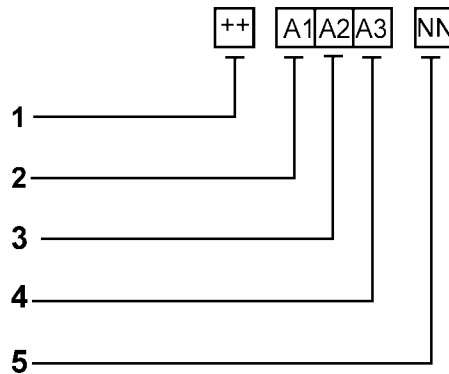
4 Designation of installation sites

4.1 General

This designation gives information concerning the position of a unit, a vehicle or an assembly in a fixed train configuration.

4.2 Designation set

Figure 1 shows the layout of the designation set. It consists of the prefix signs "++" followed by three code letters and two code numbers for the position inside a fixed train configuration.



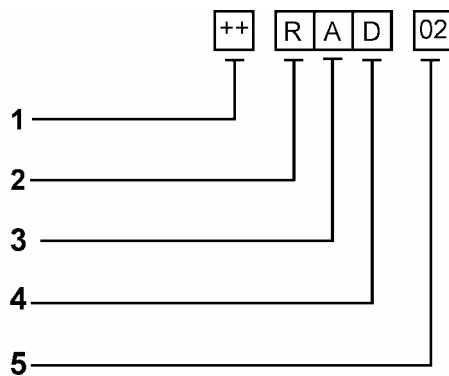
Key

- 1 Installation site prefix sign
- 2 Designation of railway vehicles
- 3 Designation of train (vehicle fleet)
- 4 Designation of vehicle type
- 5 Position within the train (only required if identical vehicles exist within a train)

Figure 1 — Designation principle

Examples of the data positions A1, A2 and A3 are given in Annex A of EN 15380-1:2006.

Figure 2 shows an example of a designation of one of several identical vehicles in a train configuration as indicated in Figure A.1.



Key

- 1 Installation site prefix sign
- 2 "Rolling Stock" vehicle fleet
- 3 High-speed train
- 4 Centre car (vehicle type)
- 5 Vehicle No.02 in the train

Figure 2 — Example of installation site vehicle designation

EN 15380-3:2006 (E)

Annex A gives examples of the numbering system of installation sites and locations.

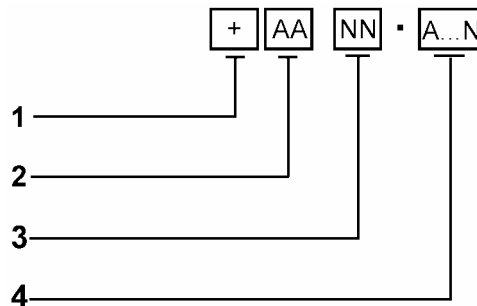
5 Designation of locations

5.1 General

This designation gives information concerning the location of structural units, combined assemblies and objects in vehicles, structural units and assemblies.

5.2 Designation set

Figure 3 shows the layout of the designation set. It consists of the prefix sign "+" followed by two code letters for the product group, two code numbers (location), a classification mark and a further possibility for designating the location. Examples are shown in Figures 4 and 5.



Key

- 1 Location prefix sign
- 2 Product group plan according to EN 15380-2
- 3 Subdivision of the locations in a vehicle (see Table 1)
- 4 Designation of the locations in combined assemblies, structural units and objects (areas and/or co-ordinates) not specified

Figure 3 — Location designation principle

Figure 4 shows an example of the minimum entry for a location designation