

**Järnvägar – Klassificeringssystem för
järnvägsfordon –
Del 2: Produktgrupper**

**Railway applications – Designation system for
railway vehicles –
Part 2: Product groups**

Europastandarden EN 15380-2:2006 gäller som svensk standard. Detta dokument innehåller den officiella engelska versionen av EN 15380-2:2006.

The European Standard EN 15380-2:2006 has the status of a Swedish Standard. This document contains the official English version of EN 15380-2:2006.

Uppllysningar om **sakinnehållet** i standarden lämnas av SIS, Swedish Standards Institute, telefon 08 - 555 520 00.

Standarder kan beställas hos SIS Förlag AB som även lämnar **allmänna uppllysningar** om svensk och utländsk standard.

Postadress: SIS Förlag AB, 118 80 STOCKHOLM
Telefon: 08 - 555 523 10. *Telefax:* 08 - 555 523 11
E-post: sis.sales@sis.se. *Internet:* www.sis.se

EUROPEAN STANDARD
NORME EUROPÉENNE
EUROPÄISCHE NORM

EN 15380-2

April 2006

ICS 01.110; 45.060.01

English Version

Railway applications - Designation system for railway vehicles - Part 2: Product groups

Applications ferroviaires - Système de classification pour
véhicules ferroviaires - Partie 2: Groupes des produits

Bahnanwendungen - Kennzeichnungssystematik für
Schienenfahrzeuge - Teil 2: Produktgruppen

This European Standard was approved by CEN on 6 March 2006.

CEN members are bound to comply with the CEN/GENELEC Internal Regulations which stipulate the conditions for giving this European Standard the status of a national standard without any alteration. Up-to-date lists and bibliographical references concerning such national standards may be obtained on application to the Central Secretariat or to any CEN member.

This European Standard exists in three official versions (English, French, German). A version in any other language made by translation under the responsibility of a CEN member into its own language and notified to the Central Secretariat has the same status as the official versions.

CEN members are the national standards bodies of Austria, Belgium, Cyprus, Czech Republic, Denmark, Estonia, Finland, France, Germany, Greece, Hungary, Iceland, Ireland, Italy, Latvia, Lithuania, Luxembourg, Malta, Netherlands, Norway, Poland, Portugal, Romania, Slovakia, Slovenia, Spain, Sweden, Switzerland and United Kingdom.



EUROPEAN COMMITTEE FOR STANDARDIZATION
COMITÉ EUROPÉEN DE NORMALISATION
EUROPÄISCHES KOMITEE FÜR NORMUNG

Management Centre: rue de Stassart, 36 B-1050 Brussels

Contents	Page
Foreword.....	3
1 Scope	4
2 Normative references	4
3 Terms and definitions	4
4 Product group plan	5
4.1 General.....	5
4.2 Code letters for main product groups and subproduct groups	7
4.2.1 Code letters for the main product groups (MPG).....	7
4.2.2 Code letters for the subproduct groups (SPG).....	8
4.3 Combined groups	9
Annex A (informative) Examples of product groups	10
Bibliography	29

List of Figures

Figure 1 — Principle of product group designation.....	5
--	---

List of Tables

Table 1 — Summary of the MPG	7
Table 2 — Summary of the MPG and SPG	8
Table A.1 — Examples of subproduct groups.....	10
Table A.2 — Keyword index, in alphabetical order	22

Foreword

This document (EN 15380-2:2006) has been prepared by Technical Committee CEN/TC 256 "Railway applications", the secretariat of which is held by DIN.

This document shall be given the status of a national standard, either by publication of an identical text or by endorsement, at the latest by October 2006, and conflicting national standards shall be withdrawn at the latest by October 2006.

The EN 15380 series of standards, *Railway applications – Designation system for railway vehicles* consists of:

- *Part 1: General principles*
- *Part 2: Product groups*
- *Part 3: Designation of installation sites and locations*

This European Standard is based on Part 2 of the DIN 25002 series of standards. After approval, the text of DIN 25002-2 submitted to the PQ procedure was brought into line with the formal requirements of an EN. The resulting editorial amendments have led to slightly modified wordings but they have no effect on the technical content of this document.

According to the CEN/CENELEC Internal Regulations, the national standards organizations of the following countries are bound to implement this European Standard: Austria, Belgium, Cyprus, Czech Republic, Denmark, Estonia, Finland, France, Germany, Greece, Hungary, Iceland, Ireland, Italy, Latvia, Lithuania, Luxembourg, Malta, Netherlands, Norway, Poland, Portugal, Romania, Slovakia, Slovenia, Spain, Sweden, Switzerland and the United Kingdom.

EN 15380-2:2005 (E)

1 Scope

As a railway-specific technical standard, this European Standard is the basis for establishing product-oriented structures.

This standard essentially is for product structuring; however the function-overlapping "combined assemblies" have to be taken into account. This structure is a common basis for communication between customer, suppliers, subcontractors and others in all stages of the cooperation.

2 Normative references

The following referenced documents are indispensable for the application of this document. For dated references, only the edition cited applies. For undated references, the latest edition of the referenced document (including any amendments) applies.

EN 61346-1:1996, *Industrial systems, installations and equipment and industrial products – Structuring principles and reference designations – Part 1: Basic rules (IEC 61346-1:1996)*

EN 61346-2:2000, *Industrial systems, installations and equipment and industrial products – Structuring principles and reference designations – Part 2: Classification of objects and codes for classes (IEC 61346-2:2000)*

3 Terms and definitions

For the purposes of this document, the following terms and definitions apply.

3.1

assembly

composition of elements that cannot yet be used independently

NOTE Up to now, the classes have been designated as assemblies. If an application-specific subdivision of these assemblies is carried out, the assembly is then often designated as a main assembly and the subdivision is designated as a subassembly

3.2

entity treated

part, element, device, subsystem, functional unit, object or system that can be observed in its own right

[EN 13460-2002]

3.3

function

characteristic effect or aim of an object in conjunction with other objects

NOTE Instead of object, the universal term entity treated may also be used here

3.4

main function

defining function of a product/assembly

3.5

auxiliary operating equipment

sum of devices supplying power for all product groups as well as controlling and regulating the "converter device and battery device" main product groups of a rail vehicle

3.6

fitting out

assemblies and parts making up the external and internal panelling and interior partitioning of the vehicle

3.7

interior appointments

assemblies and parts inside the vehicle designed for direct use by passengers and train crews

3.8

combined assembly

assembly that performs several functions together and forms a structural entity

3.9

main product group

group that performs the main function of a component/assembly

3.10

subproduct group

group that performs a subfunction of a component/assembly within the framework of a main function

3.11

component

uniquely identifiable product that is considered indivisible for a particular planning or control purpose and/or which cannot be disassembled without it being destroyed

NOTE A component for one organizational group may be the final assembly of another group, e.g. an electric motor.

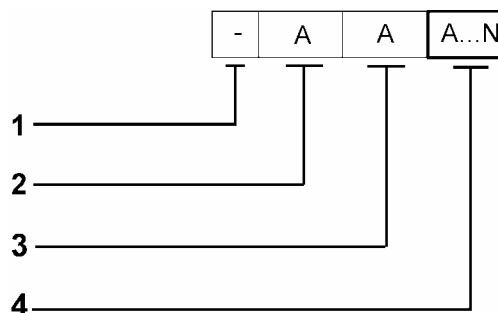
4 Product group plan

4.1 General

The designation system of the product group structure is made up of the letters of the alphabet, excluding I and O, and special characters.

The main product groups, see Table 1, and subproduct groups, see Table 2, are each designated by single characters. The designation shall be incorporated in the documentation.

NOTE The function groups of the withdrawn DIN 43104 are reflected in product groups F to P.



Key

- 1 "Product" prefix sign according to EN 61346-1
- 2 Main product group (MPG) according to 4.2.1
- 3 Subproduct group (SPG) according to 4.2.2
- 4 Serial number (no specification)

Figure 1 — Principle of product group designation

EN 15380-2:2005 (E)

The designation begins with particulars of the main product group and assembly and is supplemented by the designation of the subproduct group. Further designation at the level of the subproduct groups and at other lower levels is possible.

The distribution software of the individual product groups is allocated to the product groups as required.

4.2 Code letters for main product groups and subproduct groups

4.2.1 Code letters for the main product groups (MPG)

Table 1 — Summary of the MPG

MPG designation ^a	Name of the MPG
B	Vehicle body
C	Vehicle fitting out
D	Interior appointments
E	Running gear
F	Power system, drive unit
G	Control apparatus for train operations
H	Auxiliary operating equipment
J	Monitoring and safety equipment
K	Lighting
L	Air conditioning
M	Ancillary operating equipment
N	Doors, entrances
P	Information facilities
Q	Pneumatic/hydraulic equipment
R	Brake
S	Vehicle linkage devices
T	Carrier systems, enclosures
U	Electrical wiring
<p>^a The main product groups shall not be used as a single designation. Table 1 contains only a summary of the MPG. According to the requirements of EN 61346-2:2000, the designations A and V to Z are pre-allocated.</p>	

EN 15380-2:2005 (E)

4.2.2 Code letters for the subproduct groups (SPG)

Table 2 — Summary of the MPG and SPG

Code letters for		Name
MPG	SPG	
B	A	Vehicle body
	B	Underframe
	C	Side walls
	D	Roof
	E	Head of vehicle
	F	End walls
	G	Weld-on/add-on parts
	H	Intermediate floor
	J	Partitions
C	A	Vehicle fitting out
	B	Window
	C	Floor
	D	Interior panelling
	E	Partitions
	F	External additions
	G	Vehicle paintwork
	H	Insulation
D	A	Interior appointments
	B	Rails, handles (inside)
	C	Seats, sleeping berths, tables
	D	Sanitary facilities
	E	Luggage racks
	F	Additional devices
E	A	Running gear
	B	Supporting structures
	C	Wheelsets
	D	Suspension, damping, balancing gear
	E	Driving systems (active)
	F	Driven systems (passive)
	G	Safety add-ons
F	A	Power system, drive unit
	B	Power supply
	C	Power generation
	D	Power conversion
	E	Power dissipation
	F	Power storage

Table 2 (continued)

Code letters for		Name
MPG	SPG	
G	A	Control apparatus for train operations
	B	Power supply controls
	C	Driving and brake controls
	D	Power generation controls
	E	System data acquisition
	F	Power storage controls
H	A	Auxiliary operating equipment
	B	Converter equipment
	C	Battery device
	D	On-board supply system
	E	Cooling unit for power and drive systems
	F	Emergency power generators
J	A	Monitoring and safety device
	B	Measuring and protective devices
	C	Indicating, recording, display devices
	D	Safety equipment
	E	Data transmission devices
	F	Communication equipment
	G	Miscellaneous equipment
K	A	Lighting
	B	Exterior lighting equipment
	C	Interior lighting equipment
L	A	Air conditioning
	B	Intake/evacuation of air
	C	Treatment
	D	Distribution
	E	Regulation
M	A	Ancillary operating equipment
	B	Sanding equipment
	C	Lubricating equipment
	D	Points operating equipment
	E	Ticket machines
	F	Passenger counting device
N	A	Doors, entrances
	B	External doors
	C	Internal doors

Table 2 (continued)

Code letters for		
MPG	SPG	
N	D	Entrances, steps (not inside)
	E	Entrances for the disabled
P	A	Information facilities
	B	Visual information facilities
	C	Visual information elements
	D	Entertainment
	E	Advertizing
	F	Audible information facilities
Q	A	Pneumatic/hydraulic equipment
	B	Generation
	C	Treatment
	D	Storage
	E	Distribution
R	A	Brake
	B	Brake components
	C	Mechanical brake force transmission
S	A	Vehicle linkage devices
	B	Automatic coupling devices

Table 2 (continued)

Code letters for		
MPG	SPG	
S	C	Manual coupling devices
	D	Buffing gear
	E	Towing gear (emergency couplings)
	F	Gangways/gangway facilities
	G	Vehicle-vehicle interface for media, signals, power
T	A	Carrier systems, enclosures
	B	Cabinets, boxes, containers
	C	Frames, boards
	D	Control and display units
	E	Electronic rack systems
U	A	Electrical wiring
	B	Cables, conductors and bars
	C	Marking and connection material
	D	Connecting material
	E	Bushings
	F	Cable ducts, pipes and flexible tubes

4.3 Combined groups

The order of the combined groups in the product group structure depends on their main function (e.g. gantry running gear in subproduct group EA, driver's desk in subproduct group TD).