

**Takprodukter – Taktillträdesanordningar –
Gångbryggor, stegplattor och enkelsteg**

**Prefabricated accessories for roofing –
Installations for roof access – Walkways,
treads and steps**

Europastandarden EN 516:2006 gäller som svensk standard. Detta dokument innehåller den officiella engelska versionen av EN 516:2006.

Denna standard ersätter SS-EN 516, utgåva 1.

The European Standard EN 516:2006 has the status of a Swedish Standard. This document contains the official English version of EN 516:2006.

This standard supersedes the Swedish Standard SS-EN 516, edition 1.

Upplýsingar om **sakinnehållet** i standarden lämnas av SIS, Swedish Standards Institute, telefon 08 - 555 520 00.

Standarder kan beställas hos SIS Förlag AB som även lämnar **allmänna upplýsingar** om svensk och utländsk standard.

Postadress: SIS Förlag AB, 118 80 STOCKHOLM

Telefon: 08 - 555 523 10. *Telefax:* 08 - 555 523 11

E-post: sis.sales@sis.se. *Internet:* www.sis.se

EUROPEAN STANDARD
NORME EUROPÉENNE
EUROPÄISCHE NORM

EN 516

January 2006

ICS 91.060.20

Supersedes EN 516:1995

English Version

Prefabricated accessories for roofing - Installations for roof access - Walkways, treads and steps

Accessoires préfabriqués pour couverture - Installations pour accès du toit - Passerelles, plans de marche et escabeaux

Vorgefertigte Zubehörteile für Dacheindeckungen - Einrichtungen zum Betreten des Daches - Laufstege, Trittflächen und Einzeltritte

This European Standard was approved by CEN on 7 December 2005.

CEN members are bound to comply with the CEN/CENELEC Internal Regulations which stipulate the conditions for giving this European Standard the status of a national standard without any alteration. Up-to-date lists and bibliographical references concerning such national standards may be obtained on application to the Central Secretariat or to any CEN member.

This European Standard exists in three official versions (English, French, German). A version in any other language made by translation under the responsibility of a CEN member into its own language and notified to the Central Secretariat has the same status as the official versions.

CEN members are the national standards bodies of Austria, Belgium, Cyprus, Czech Republic, Denmark, Estonia, Finland, France, Germany, Greece, Hungary, Iceland, Ireland, Italy, Latvia, Lithuania, Luxembourg, Malta, Netherlands, Norway, Poland, Portugal, Romania, Slovakia, Slovenia, Spain, Sweden, Switzerland and United Kingdom.



EUROPEAN COMMITTEE FOR STANDARDIZATION
COMITÉ EUROPÉEN DE NORMALISATION
EUROPÄISCHES KOMITEE FÜR NORMUNG

Management Centre: rue de Stassart, 36 B-1050 Brussels

Contents

Page

Foreword	4
1 Scope	5
2 Normative references	5
3 Terms and definitions	5
4 Symbols	5
5 Materials	6
6 Dimensions and construction requirements	6
6.1 General	6
6.2 Walkways	6
6.3 Treads	7
6.4 Steps	7
7 Requirements	10
7.1 Static load (test load), Classes 1 and 2	10
7.2 Fatigue strength	10
7.3 Reaction to fire and external fire performance	10
8 Testing	10
8.1 Static test	10
8.1.1 Number of specimens	10
8.1.2 Step test	10
8.1.3 Test at the anchorage point	11
8.2 Test of the fatigue strength	11
9 Evaluation of conformity	14
9.1 General	14
9.2 Initial type testing	14
9.2.1 General	14
9.2.2 Test report	15
9.3 Factory production control	15
9.3.1 General	15
9.3.2 Equipment	15
9.3.3 Raw materials and components	15
9.3.4 Non-conforming products	15
9.3.5 Design process	16
10 Instructions for mounting and use	16
11 Designation	16
12 Marking	16
Annex ZA (informative) Clauses of this European Standard addressing the provisions of the EU Construction Products Directive	17
ZA.1 Scope and relevant characteristics	17
ZA.2 Procedure for attestation of conformity of walkways, treads and steps	18
ZA.2.1 System of attestation of conformity	18
ZA.2.2 EC Declaration of conformity	19
ZA.3 CE marking and labelling	19
Bibliography	21

Figure 1 — Installation for roof access (diagrammatic section).....	8
Figure 2 — Walkway.....	8
Figure 3 — Tread.....	9
Figure 4 — Step.....	9
Figure 5 — Static test	12
Figure 6 — Dynamic test (fatigue strength).....	13
Table ZA.1 — Relevant clauses for walkways, treads and steps and intended use.....	18
Table ZA.2 — System of attestation of conformity	18
Table ZA.3 — Assignment of evaluation of conformity tasks	19

EN 516:2006 (E)

Foreword

This document (EN 516:2006) has been prepared by Technical Committee CEN/TC 128 “Roof covering products for discontinuous laying and products for wall cladding”, the secretariat of which is held by IBN/BIN.

This European Standard shall be given the status of a national standard, either by publication of an identical text or by endorsement, at the latest by July 2006, and conflicting national standards shall be withdrawn at the latest by July 2006.

This document supersedes EN 516:1995.

This document has been prepared under a mandate given to CEN by the European Commission and the European Free Trade Association, and supports essential requirements of EU Directive(s).

For relationship with EU Directive(s), see informative Annex ZA, which is an integral part of this document.

According to the CEN/CENELEC Internal Regulations, the national standards organizations of the following countries are bound to implement this European Standard: Austria, Belgium, Cyprus, Czech Republic, Denmark, Estonia, Finland, France, Germany, Greece, Hungary, Iceland, Ireland, Italy, Latvia, Lithuania, Luxembourg, Malta, Netherlands, Norway, Poland, Portugal, Romania, Slovakia, Slovenia, Spain, Sweden, Switzerland and United Kingdom.

1 Scope

This document applies to installations for roof access (building products) permanently fixed to the load-bearing construction of pitched roofs, to stand or to walk on during inspection, maintenance and repair of facilities on the roof.

It specifies essential dimensions, materials to be used, requirements with respect to the load-bearing capacity of the installation for roof access fastened to the roof construction including their fastening system, and the extent of testing.

This document does not apply to permanently fixed ladders on pitched roofs.

2 Normative references

The following referenced documents are indispensable for the application of this document. For dated references, only the edition cited applies. For undated references, the latest edition of the referenced document (including any amendments) applies.

EN 364, *Personal protective equipment against falls from a height — Test methods*

EN 795, *Protection against falls from a height — Anchor devices — Requirements and testing*

EN ISO 1140, *Fibre ropes — Polyamide — 3-, 4- and 8-strand ropes (ISO 1140:2004)*

EN ISO 1461, *Hot dip galvanized coatings on fabricated iron and steel articles - Specifications and test methods (ISO 1461:1999)*

3 Terms and definitions

For the purpose of this document, the following definitions apply.

3.1

installation for roof access

building product with a platform to stand or to walk on with one or more supports permanently fixed by means of associated fastening systems to the load-bearing construction of a pitched roof

Note 1 See figure 1

Note 2 Depending on the size of the platform, installations for roof access are designated as walkways (see Figure 2), treads (see figure 3) or steps (see figure 4)

3.2

fastening system

combination of products which fasten the walkways, treads and steps, to the load-bearing roof construction

3.3

load-bearing roof construction

part of the roof construction which is able to carry potential loads and to transmit them to the building structure

4 Symbols

b width

EN 516:2006 (E)

- l length
- R lanyard
- P test load
- α roof slope

5 Materials

Installations for roof access and their fastening systems shall be made of metal or equivalent material and be resistant to corrosion as well as to atmospheric and climatic influences. The material shall be free from faults and inclusions that may impair their performance abilities.

The corrosion resistance shall be at least equivalent to that of hot-galvanised steel with a protective layer according to EN ISO 1461.

Parts of the fastening system beneath the roof covering may be from timber and shall then be protected against atmospheric and climatic influences.

6 Dimensions and construction requirements

6.1 General

Installations for roof access shall be classified as follows:

- Class 1: Installations that shall not be used as anchorage points to which personal protective equipment against fall or for restraint are attached;
- Class 2: Installations that may be used as anchorage points to which personal protective equipment against fall or for restraint are attached.

The surfaces of the platforms of walkways, treads and steps shall be designed to avoid slipping of persons and collection of water and, where necessary, to minimise snow build-up. Constructions with sharp angles or edges have to be avoided.

To accommodate roofs with different slopes, the connections between platform and supports shall be adjustable but they shall be designed to be secured against accidental disconnection after installation.

The type and size of the fastening system(s) shall be specified by the manufacturer.

6.2 Walkways

Walkways are distinguished according to the width of their platforms as types A, B or C. The minimum width b of the platform shall be for:

- Type A: 250 mm,
- Type B: 350 mm and
- Type C: 430 mm.

The length l of the platforms of all types shall be at least 500 mm.

The platforms of walkways of Type B shall be provided with turn-ups or side battens of at least 20 mm on both long sides, measured from the platform surface, to prevent persons from slipping.

The supports of walkways shall be designed in such a way that, after mounting on the roof construction, the inclination across the width b as well as across the length l is not greater than 3° from the horizontal.

6.3 Treads

The platform of treads shall have a width b of at least 250 mm.

The length l shall be at least 400 mm.

The supports of treads shall be designed in such a way that, after mounting on the roof construction, the inclination across the width b as well as across the length l is not greater than 3° from the horizontal.

6.4 Steps

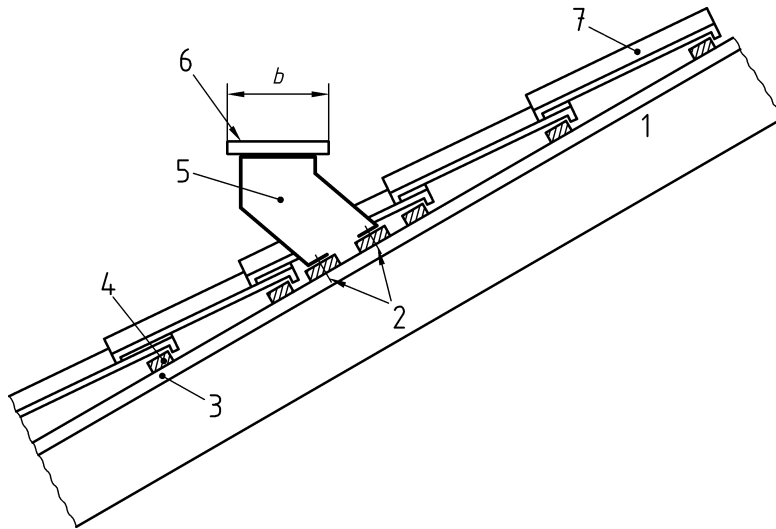
The platform of steps shall have a size $b \times l$ of at least 130 mm \times 130 mm.

On all sides, except the front and rear side, the platform of steps shall be provided with turn-ups or side battens of at least 20 mm, measured from the platform surface, to prevent persons from slipping.

Furthermore, steps shall have a handle or a grip hole in the platform.

The supports of steps shall be designed in such a way that, after mounting on the roof construction, the inclination across the width b as well as across the length l is not greater than 3° from the horizontal.

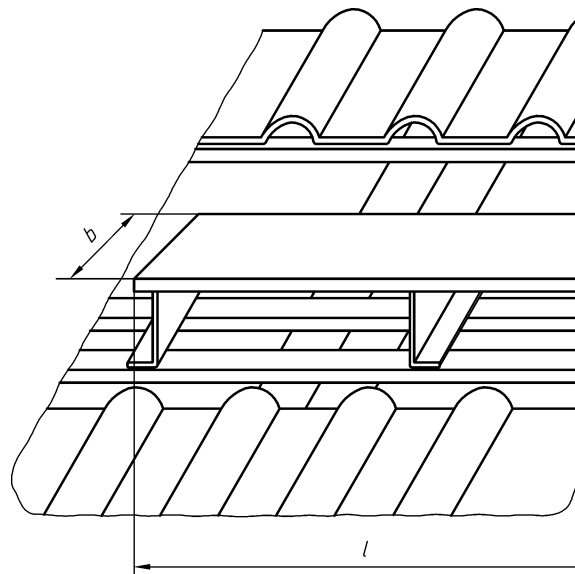
EN 516:2006 (E)



Key

- 1 Rafter
- 2 Fastening system
- 3 Counter-batten
- 4 Batten
- 5 Supporting construction
- 6 Walkway, tread, step
- 7 Roofing
- b Width

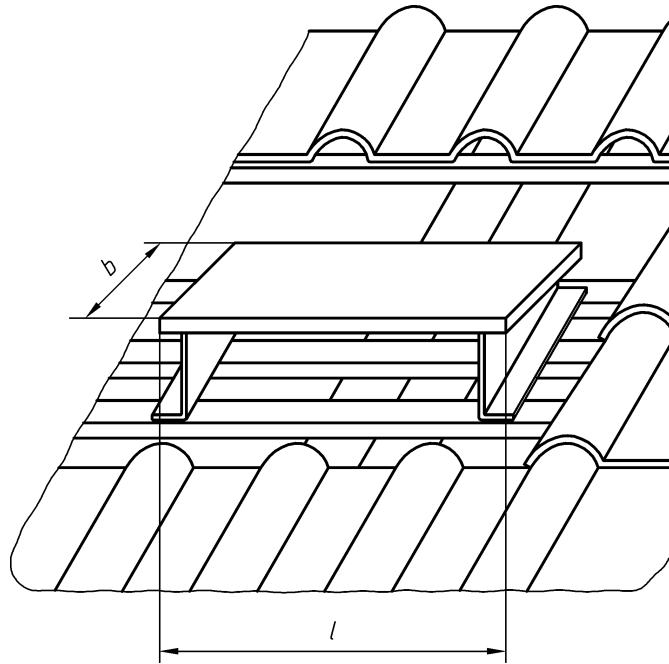
Figure 1 — Installation for roof access (diagrammatic section)



Key

- b Width
- l Length

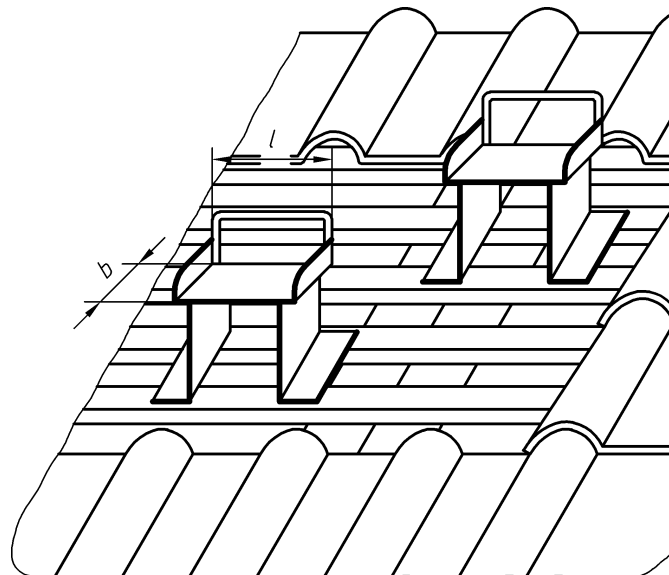
Figure 2 — Walkway



Key

- b Width
- l Length

Figure 3 — Tread



Key

- b Width
- l Length

Figure 4 — Step