

**Maskinsäkerhet – Säkerhetskrav vid konstruktion  
och tillverkning av maskiner för pappers- och  
massatillverkning –  
Del 13: Balavtrådningsmaskiner**

**Safety of machinery – Safety requirements for  
the design and construction of paper making  
and finishing machines –  
Part 13: Machines for de-wiring bales and units**

Europastandarden EN 1034-13:2005 gäller som svensk standard. Detta dokument innehåller den officiella engelska versionen av EN 1034-13:2005.

The European Standard EN 1034-13:2005 has the status of a Swedish Standard. This document contains the official English version of EN 1034-13:2005.

---

Uppllysningar om **sakinnehållet** i standarden lämnas av SIS, Swedish Standards Institute, telefon 08 - 555 520 00.

Standarder kan beställas hos SIS Förlag AB som även lämnar **allmänna upplysningar** om svensk och utländsk standard.

*Postadress:* SIS Förlag AB, 118 80 STOCKHOLM  
*Telefon:* 08 - 555 523 10. *Telefax:* 08 - 555 523 11  
*E-post:* [sis.sales@sis.se](mailto:sis.sales@sis.se). *Internet:* [www.sis.se](http://www.sis.se)

EUROPEAN STANDARD  
NORME EUROPÉENNE  
EUROPÄISCHE NORM

**EN 1034-13**

November 2005

ICS 85.100

English Version

**Safety of machinery - Safety requirements for the design and construction of paper making and finishing machines - Part 13: Machines for de-wiring bales and units**

Sécurité des machines - Exigences techniques de sécurité pour la conception et la construction de machines de fabrication et de finition du papier - Partie 13: Machines à couper les files des balles et unités des balles

Sicherheit von Maschinen - Sicherheitstechnische Anforderungen an Konstruktion und Bau von Maschinen der Papierherstellung und Ausrüstung - Teil 13: Maschinen zur Entdrahtung von Ballen und Units

This European Standard was approved by CEN on 6 October 2005.

CEN members are bound to comply with the CEN/CENELEC Internal Regulations which stipulate the conditions for giving this European Standard the status of a national standard without any alteration. Up-to-date lists and bibliographical references concerning such national standards may be obtained on application to the Central Secretariat or to any CEN member.

This European Standard exists in three official versions (English, French, German). A version in any other language made by translation under the responsibility of a CEN member into its own language and notified to the Central Secretariat has the same status as the official versions.

CEN members are the national standards bodies of Austria, Belgium, Cyprus, Czech Republic, Denmark, Estonia, Finland, France, Germany, Greece, Hungary, Iceland, Ireland, Italy, Latvia, Lithuania, Luxembourg, Malta, Netherlands, Norway, Poland, Portugal, Slovakia, Slovenia, Spain, Sweden, Switzerland and United Kingdom.



EUROPEAN COMMITTEE FOR STANDARDIZATION  
COMITÉ EUROPÉEN DE NORMALISATION  
EUROPÄISCHES KOMITEE FÜR NORMUNG

**Management Centre: rue de Stassart, 36 B-1050 Brussels**

**Contents**

Page

**Introduction**.....4

**1 Scope**.....4

**2 Normative references**.....4

**3 Terms and definitions** .....5

**4 List of significant hazards**.....7

**5 Safety requirements and/or measures** .....9

5.1 **General**.....9

5.2 **De-wiring device and loading** .....9

5.3 **Wire ejection device** .....10

5.4 **Workplaces, access stairs, catwalks, passageways**.....10

5.5 **Start-up warning device** .....10

5.6 **Emergency stop device**.....10

5.7 **Isolation and energy dissipation, prevention of unexpected start-up** .....10

5.8 **Equipment for make-ready and maintenance** .....10

5.9 **Safety measures for cleaning operations**.....11

5.10 **Control systems and actuators**.....11

5.11 **Integrated lighting** .....11

5.12 **Noise**.....11

5.13 **Ergonomic aspects** .....11

5.14 **Electrical equipment**.....11

5.15 **Hydraulic equipment** .....11

5.16 **Pneumatic equipment** .....11

**6 Verification of safety requirements and/or measures**.....11

**7 Information for use**.....12

**Annex ZA (informative) Relationship between this European Standard and the Essential Requirements of EU Directive 98/37/EC** .....13

**Figures**

**Figure 1 — Example of a machine for cutting bale wires**..... 6

**Figure 2 — Example of a machine for unit de-wiring** ..... 6

**Figure 3 — Example of a machine for de-wiring cellulose bales**..... 7

**Tables**

**Table 1 — List of significant hazards**..... 8

**Table 2 — Methods used to verify safety requirements and/or measures** ..... 12

## Foreword

This European Standard (EN 1034-13:2005) has been prepared by Technical Committee CEN/TC 198 "Printing and paper machinery - Safety", the secretariat of which is held by DIN.

This European Standard shall be given the status of a national standard, either by publication of an identical text or by endorsement, at the latest by May 2006, and conflicting national standards shall be withdrawn at the latest by May 2006.

This European Standard has been prepared under a mandate given to CEN by the European Commission and the European Free Trade Association, and supports essential requirements of EU Directive(s).

For relationship with EU Directive(s), see informative Annex ZA, which is an integral part of this European Standard.

According to the CEN/CENELEC Internal Regulations, the national standards organizations of the following countries are bound to implement this European Standard: Austria, Belgium, Cyprus, Czech Republic, Denmark, Estonia, Finland, France, Germany, Greece, Hungary, Iceland, Ireland, Italy, Latvia, Lithuania, Luxembourg, Malta, Netherlands, Norway, Poland, Portugal, Slovakia, Slovenia, Spain, Sweden, Switzerland and the United Kingdom.

**EN 1034-13:2005 (E)****Introduction**

This European Standard is a type C standard as stated in EN ISO 12100-1:2003.

The machinery concerned and the extent to which hazards, hazardous situations and events are covered are indicated in the scope of this European Standard.

For machines that have been designed and built according to the provisions of this C standard, the following stipulation applies: When provisions of this type C standard are different from those which are stated in type B standards or from provisions made in EN 1034-1:2000, the provisions of this type C standard take precedence over the provisions of the other standards.

**1 Scope**

This European Standard applies to machines for de-wiring bales and units and shall be used together with EN 1034-1:2000. It deals with all significant hazards, hazardous situations and hazard events relevant to machines for de-wiring bales and units, when used as intended and under conditions reasonably foreseeable by the manufacturer as incorrect application (see clause 4).

This European Standard is not applicable to hand-held devices.

This European Standard is not applicable to machines for de-wiring bales and units which are manufactured before the date of publication of this document by CEN.

**2 Normative references**

The following referenced documents are indispensable for the application of this European Standard. For dated references, only the edition cited applies. For undated references, the latest edition of the referenced document (including any amendments) applies.

EN 294:1992, *Safety of machinery — Safety distances to prevent danger zones being reached by the upper limbs*

EN 418:1992, *Safety of machinery — Emergency stop equipment — Functional aspects — Principles for design*

EN 619:2002, *Continuous conveyors and systems — Safety and EMC requirements for mechanical conveying systems for packaged goods*

EN 953:1997, *Safety of machinery — Guards — General requirements for the design and construction of fixed and movable guards*

EN 954-1:1996, *Safety of machinery — Safety related parts of control systems — Part 1: General principles for design*

EN 982:1996, *Safety of machinery — Safety requirements for fluid power systems and their components — Hydraulics*

EN 983:1996, *Safety of machinery — Safety requirements for fluid power systems and their components — Pneumatics*

EN 1034-1:2000, *Safety of machinery — Safety requirements for the design and construction of paper making and finishing machines — Part 1: Common requirements*

EN 1088:1995, *Safety of machinery — Interlocking devices associated with guards — Principles for design and selection*

EN 1837:1999, *Safety of machinery — Integral lighting of machines*

EN 13023:2003, *Noise measurement methods for printing, paper converting, paper making machines and auxiliary equipment — Accuracy categories 2 and 3*

EN 60204-1:1997, *Safety of machinery — Electrical equipment — Part 1: General requirements (IEC 60204-1:1997)*

EN 61000-6-2:2001, *Electromagnetic compatibility (EMC) — Part 6-2: Generic standard — Immunity — Part 2: Industrial environment (IEC 61000-6-2:1999, modified)*

EN 61496-1:2004, *Safety of machinery — Electro-sensitive protective equipment — Part 1: General requirements and tests (IEC 61496-1:2004, modified)*

prEN 61496-2:1997, *Safety of machinery — Electro-sensitive protective equipment — Part 2: Particular requirements for equipment using active opto-electronic protective devices (AOPDs) (IEC 61496-2:1997, modified)*

EN ISO 12100-1:2003, *Safety of machinery — Basic concepts — General principles for design — Part 1: Basic terminology, methodology (ISO 12100-1:2003)*

EN ISO 12100-2:2003, *Safety of machinery — Basic concepts — General principles for design - Part 2: Technical principles and specifications (ISO 12100-2:2003)*

### 3 Terms and definitions

For the purpose of this European Standard, the definitions given in EN 1034-1:2000, EN ISO 12100-1:2003 and the following apply:

#### 3.1

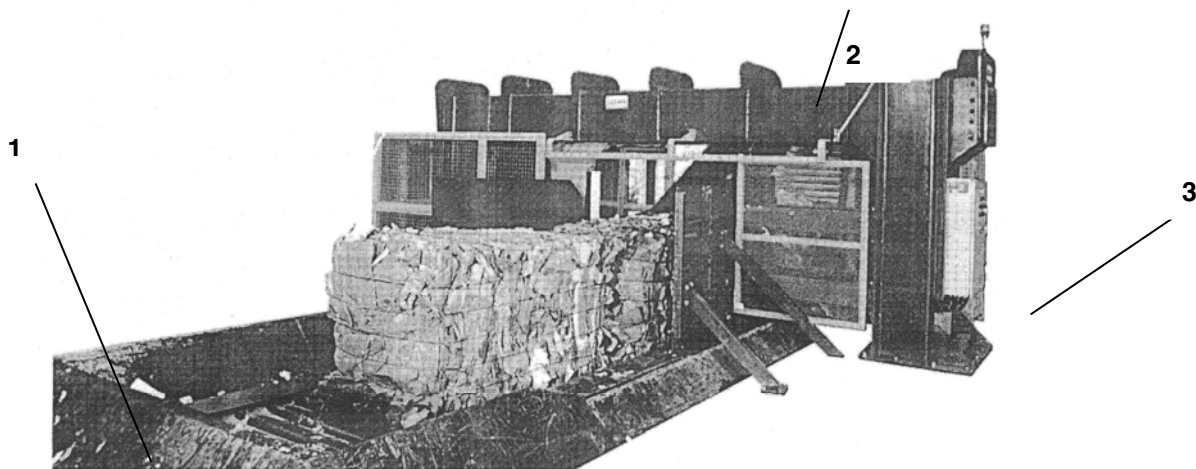
##### **machine for de-wiring bales and units**

machinery used for cutting and or opening and removing wires used for binding together bales made of cellulose or paper and units formed of cellulose bales.

This machinery includes the de-wiring device, integrated continuous conveyor for moving the bales and units, the loading conveyor, the positioning device and the wire ejection device, including the drive and control systems.

Examples of machine types are illustrated in Figures 1, 2 and 3.

EN 1034-13:2005 (E)

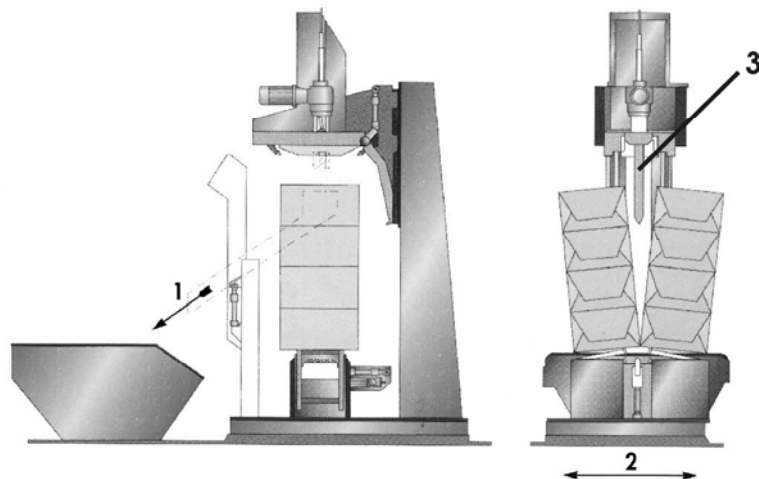


NOTE Safety devices are not shown

**Key**

- 1 Loading conveyor
- 2 Movable blade
- 3 Control cabinet

**Figure 1 — Example of a machine for cutting bale wires**



NOTE Safety devices are not shown

**Key**

- 1 Wire ejection
- 2 Feed direction
- 3 Cutting tool

**Figure 2 — Example of a machine for unit de-wiring**