

Sanitetsenheter – Tvättrännor

Sanitary appliances – Communal washing troughs

ICS 91.140.70

Språk: engelska

Publicerad: augusti 2005

Europastandarden EN 14296:2005 gäller som svensk standard. Detta dokument innehåller den officiella engelska versionen av EN 14296:2005.

The European Standard EN 14296:2005 has the status of a Swedish Standard. This document contains the official English version of EN 14296:2005.

Uppllysningar om **sakinnehållet** i standarden lämnas av SIS, Swedish Standards Institute, telefon 08 - 555 520 00.

Standarder kan beställas hos SIS Förlag AB som även lämnar **allmänna upplysningar** om svensk och utländsk standard.

Postadress: SIS Förlag AB, 118 80 STOCKHOLM

Telefon: 08 - 555 523 10. *Telefax:* 08 - 555 523 11

E-post: sis.sales@sis.se. *Internet:* www.sis.se

EUROPEAN STANDARD
NORME EUROPÉENNE
EUROPÄISCHE NORM

EN 14296

May 2005

ICS 91.140.70

English version

Sanitary appliances - Communal washing troughs

Appareils sanitaires - Lavabos collectifs

Sanitärausstattungsgegenstände - Reihenwaschanlagen

This European Standard was approved by CEN on 25 March 2005.

CEN members are bound to comply with the CEN/CENELEC Internal Regulations which stipulate the conditions for giving this European Standard the status of a national standard without any alteration. Up-to-date lists and bibliographical references concerning such national standards may be obtained on application to the Central Secretariat or to any CEN member.

This European Standard exists in three official versions (English, French, German). A version in any other language made by translation under the responsibility of a CEN member into its own language and notified to the Central Secretariat has the same status as the official versions.

CEN members are the national standards bodies of Austria, Belgium, Cyprus, Czech Republic, Denmark, Estonia, Finland, France, Germany, Greece, Hungary, Iceland, Ireland, Italy, Latvia, Lithuania, Luxembourg, Malta, Netherlands, Norway, Poland, Portugal, Slovakia, Slovenia, Spain, Sweden, Switzerland and United Kingdom.



EUROPEAN COMMITTEE FOR STANDARDIZATION
COMITÉ EUROPÉEN DE NORMALISATION
EUROPÄISCHES KOMITEE FÜR NORMUNG

Management Centre: rue de Stassart, 36 B-1050 Brussels

Contents

page

Foreword3

1 Scope4

2 Normative references4

3 Terms and definitions4

4 Requirements4

4.1 General4

4.2 Cleanability4

4.3 Load resistance5

4.4 Durability5

5 Test methods5

5.1 Cleanability5

5.2 Determination of load resistance5

6 Marking and product designation11

7 Evaluation of conformity11

7.1 General11

7.2 Initial type testing12

7.3 Factory production control (FPC)12

**Annex ZA (informative) Clauses of this European Standard addressing the provisions of the EU
Construction Products Directive13**

Bibliography17

Foreword

This document (EN 14296:2005) has been prepared by Technical Committee CEN/TC 163 “Sanitary appliances”, the secretariat of which is held by UNI.

This European Standard shall be given the status of a national standard, either by publication of an identical text or by endorsement, at the latest by November 2005, and conflicting national standards shall be withdrawn at the latest by February 2007.

This document has been prepared under a mandate given to CEN by the European Commission and the European Free Trade Association, and supports essential requirements of EU Directive 89/106.

For relationship with EU Directive(s), see informative Annex ZA, which is an integral part of this document.

According to the CEN/CENELEC Internal Regulations, the national standards organizations of the following countries are bound to implement this European Standard: Austria, Belgium, Cyprus, Czech Republic, Denmark, Estonia, Finland, France, Germany, Greece, Hungary, Iceland, Ireland, Italy, Latvia, Lithuania, Luxembourg, Malta, Netherlands, Norway, Poland, Portugal, Slovakia, Slovenia, Spain, Sweden, Switzerland and United Kingdom.

EN 14296:2005 (E)

1 Scope

This European Standard specifies requirements for the cleanability, load resistance and durability of communal washing troughs used for domestic purposes.

NOTE For the purposes of this European Standard the term "domestic purposes" includes use in factory changing-rooms, sportsclubs, accommodation for students, hospitals and similar buildings, except when special medical provisions are required.

2 Normative references

The following referenced documents are indispensable for the application of this document. For dated references, only the edition cited applies. For undated references, the latest edition of the referenced document (including any amendments) applies.

EN 695, *Kitchen sinks — Connecting dimensions*

3 Terms and definitions

For the purposes of this European Standard, the following terms and definitions apply.

3.1

communal washing trough

single bowl sanitary appliance at which more than one person can wash at the same time, designed to be installed with (a) permanently open waste fitting(s) capable of accepting the flow from more than one tap. Communal washing troughs can be installed standing alone (free standing (pedestal)) or wall mounted

3.2

cleanability

characteristics which allow surfaces intended to come into contact with water to be visibly smooth, non-absorbent and free from unacceptable internal corners, such they can be kept visibly free from dirt and/or stains when subject to a regular maintenance routine, which may include, when appropriate, the specific instructions for use and care as specified by the manufacturer

4 Requirements

4.1 General

The manufacturer shall supply instructions on installation, use and care.

The waste outlet hole shall comply with the dimensions as specified in EN 695, unless the manufacturer provides the waste fitting with the washing trough.

4.2 Cleanability

When tested as described in 5.1, communal washing troughs shall have smooth and readily cleansed non-absorbent functional surfaces which are free from acute internal corners, i.e., surfaces intended to or likely to come into contact with water during use.

Experience has shown that communal washing troughs manufactured from plastics, enamelled steel/cast iron, stainless steel, glazed ceramics, glass and anodised aluminium, designed and constructed without acute internal corners, satisfy these requirements.

4.3 Load resistance

Communal washing troughs shall not crack, collapse or show permanent distortion which prevents water from draining through the waste hole when tested as specified in 5.2.2 and 5.2.4.

Communal washing troughs shall not crack, or collapse when tested as specified in 5.2.3.

4.4 Durability

Communal washing troughs shall be manufactured from materials that will satisfy the requirements of 4.2 and 4.3.

5 Test methods

5.1 Cleanability

Visually examine the functional surface of the communal washing trough using a suitable light source. Record the material of construction and any failure to comply with the requirements of 4.2.

Imperfections that do not affect the functionality of the surface shall not constitute a failure.

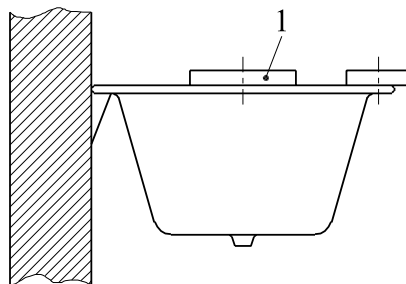
5.2 Determination of load resistance

5.2.1 General

Install the communal washing trough to be tested according to the manufacturer's installation instructions.

5.2.2 Load evenly distributed on the rim

Apply an evenly distributed load of $25^{+0,5}_0$ kg every 50 cm on the rim, as shown in Figures 1a, 1b, 1c and 1d. Reinforced cloth bags filled with lead shot, iron shot or sand shall be used. The load shall remain in position for a minimum period of 1 h.

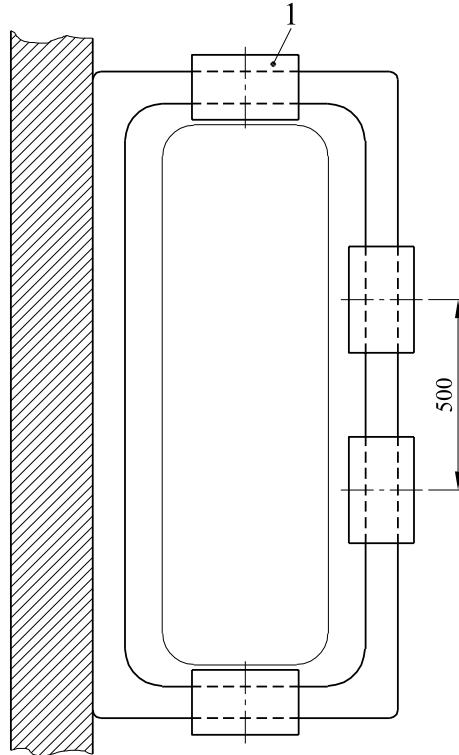


Key

1 One bag of $25^{+0,5}_0$ kg or two bags of $12,5^{+0,25}_0$ kg

Figure 1a — Installation for load test - Test on the rim - Wall mounted trough, viewed from the side

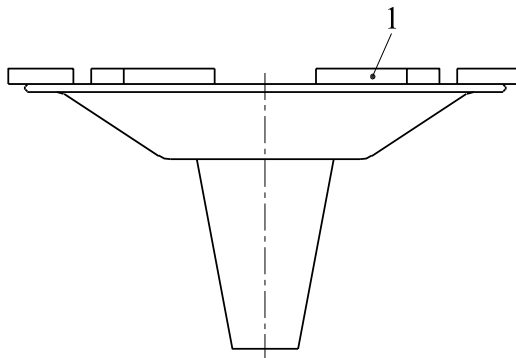
EN 14296:2005 (E)



Key

- 1 One bag of $25^{+0,5}_0$ kg or two bags of $12,5^{+0,25}_0$ kg

Figure 1b — Installation for load test - Test on the rim - Wall mounted trough, viewed from above



Key

- 1 One bag of $25^{+0,5}_0$ kg or two bags of $12,5^{+0,25}_0$ kg

Figure 1c — Installation for load test - Test on the rim - Free standing trough, viewed from the side