

**Förpackningar – Aluminiumtuber – Kännbar  
varningssymbol**

**Packaging – Collapsible aluminium tubes –  
Tactile warnings of danger**

Europastandarden EN 14391:2004 gäller som svensk standard. Detta dokument innehåller den officiella engelska versionen av EN 14391:2004.

The European Standard EN 14391:2004 has the status of a Swedish Standard. This document contains the official English version of EN 14391:2004.

---

Upplysningar om **sakinnehållet** i standarden lämnas av SIS, Swedish Standards Institute, telefon 08 - 555 520 00.

Standarder kan beställas hos SIS Förlag AB som även lämnar **allmänna upplysningar** om svensk och utländsk standard.

*Postadress:* SIS Förlag AB, 118 80 STOCKHOLM  
*Telefon:* 08 - 555 523 10. *Telefax:* 08 - 555 523 11  
*E-post:* sis.sales@sis.se. *Internet:* www.sis.se

EUROPEAN STANDARD  
NORME EUROPÉENNE  
EUROPÄISCHE NORM

**EN 14391**

September 2004

---

ICS 55.120; 11.180.30

English version

## Packaging - Collapsible aluminium tubes - Tactile warnings of danger

Emballages - Tubes souples en aluminium - Indications tactiles de danger

Packmittel - Aluminiumtuben - Tastbare Gefahrenhinweise

This European Standard was approved by CEN on 16 January 2004.

CEN members are bound to comply with the CEN/CENELEC Internal Regulations which stipulate the conditions for giving this European Standard the status of a national standard without any alteration. Up-to-date lists and bibliographical references concerning such national standards may be obtained on application to the Central Secretariat or to any CEN member.

This European Standard exists in three official versions (English, French, German). A version in any other language made by translation under the responsibility of a CEN member into its own language and notified to the Central Secretariat has the same status as the official versions.

CEN members are the national standards bodies of Austria, Belgium, Cyprus, Czech Republic, Denmark, Estonia, Finland, France, Germany, Greece, Hungary, Iceland, Ireland, Italy, Latvia, Lithuania, Luxembourg, Malta, Netherlands, Norway, Poland, Portugal, Slovakia, Slovenia, Spain, Sweden, Switzerland and United Kingdom.



EUROPEAN COMMITTEE FOR STANDARDIZATION  
COMITÉ EUROPÉEN DE NORMALISATION  
EUROPÄISCHES KOMITEE FÜR NORMUNG

Management Centre: rue de Stassart, 36 B-1050 Brussels

## Contents

	page
Foreword.....	3
1 <b>Scope</b> .....	4
2 <b>Normative references</b> .....	4
3 <b>Terms and definitions</b> .....	4
4 <b>Measurements and position</b> .....	4

## Foreword

This document (EN 14391:2004) has been prepared by Technical Committee CEN /TC 261, "Packaging", the secretariat of which is held by AFNOR.

This European Standard shall be given the status of a national standard, either by publication of an identical text or by endorsement, at the latest by March 2005, and conflicting national standards shall be withdrawn at the latest by March 2005.

According to the CEN/CENELEC Internal Regulations, the national standards organizations of the following countries are bound to implement this European Standard: Austria, Belgium, Cyprus, Czech Republic, Denmark, Estonia, Finland, France, Germany, Greece, Hungary, Iceland, Ireland, Italy, Latvia, Lithuania, Luxembourg, Malta, Netherlands, Norway, Poland, Portugal, Slovakia, Slovenia, Spain, Sweden, Switzerland and United Kingdom.

**EN 14391:2004 (E)**

**1 Scope**

This document is applicable to aluminium tubes. It describes the kind and position of tactile warnings of danger according to EN ISO 11683 in relation to the diameters of tubes.

**2 Normative references**

The following referenced documents are indispensable for the application of this document. For dated references, only the edition cited applies. For undated references, the latest edition of the referenced document (including any amendments) applies.

EN 12374:1998, *Packaging — Flexible tubes — Terminology*

EN ISO 11683:1997, *Packaging — Tactile warnings of danger — Requirements (ISO 11683:1997)*

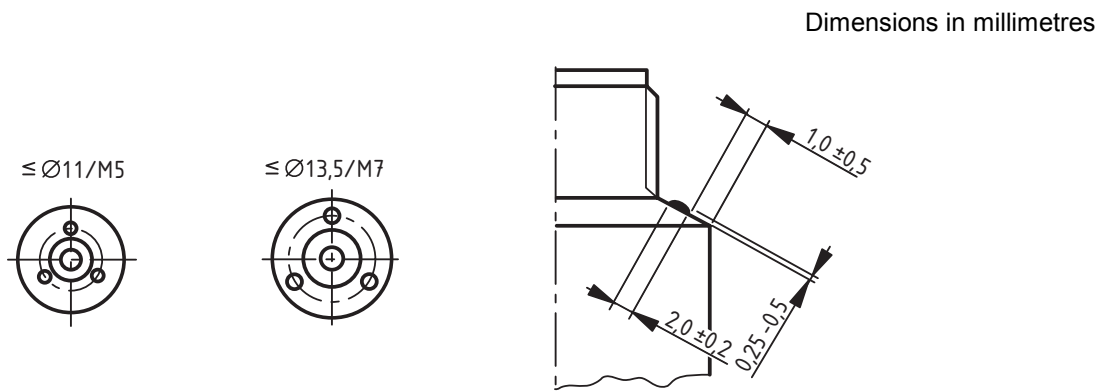
**3 Terms and definitions**

For the purposes of this standard the terms and definitions in EN 12374:1998 and EN ISO 11683:1997 apply.

**4 Measurements and position**

**4.1 Diameters of the tube shoulder 11 mm and 13,5 mm**

A 3-dot-symbol as given in EN ISO 11683 shall be used as shown in Figure 1.



**Figure 1 — Measurements and position for diameters of the tube shoulder 11 mm and 13,5 mm**