



SWEDISH
STANDARDS
INSTITUTE

SVENSK STANDARD SS-EN 12811-1:2004

Fastställd 2004-01-09

Utgåva 1

Temporära konstruktioner – Del 1: Ställningar – Krav och utförande

Temporary works equipment – Part 1: Scaffolds – Performance requirements and general design

ICS 91.200; 91.220

Språk: engelska

Publicerad: februari 2004

Europastandarden EN 12811-1:2003 gäller som svensk standard. Detta dokument innehåller den officiella engelska versionen av EN 12811-1:2003.

Denna standard, tillsammans med SS-EN 12810-1:2004, utgåva 1, ersätter SS-HD 1000, utgåva 1.

The European Standard EN 12811-1:2003 has the status of a Swedish Standard. This document contains the official English version of EN 12811-1:2003.

This standard together with SS-EN 12810-1:2004, edition 1, supersedes the Swedish Standard SS-HD 1000, edition 1.

För leverans och användning av ställningar i Sverige gäller de regler som utfärdats av Arbetsmiljöverket/Arbetarskyddsstyrelsen (AFS 1990:12). Även andra regler kan, för vissa arbeten eller vissa moment, inverka på främst användningen av ställningar. Som exempel kan anges föreskrifterna om byggnads- och anläggningsarbete (AFS 1999:3).

Följande gäller i Sverige för de avsnitt i EN 12881-1 där flera alternativ är angivna:

Kap. 5.2 Width classes

- | | |
|-----|--|
| W18 | på en ställning där såväl uppläggning som kärning av material förekommer |
| W12 | på en ställning där antingen uppläggning eller annan transport av material än kärning förekommer |
| W06 | på en ställning där inget eller ringa mängder material läggs upp och ingen transport förekommer t.ex. ställning för sprutmålning, service och liknande arbeten |

Kap. 5.8 Access between levels

Trappor krävs normalt i ställningar. Stege kan användas som utrymningsväg.

Upplysningar om **sakinnehållet** i standarden lämnas av SIS, Swedish Standards Institute, telefon 08 - 555 520 00.

Standarder kan beställas hos SIS Förlag AB som även lämnar **allmänna upplysningar** om svensk och utländsk standard.

Postadress: SIS Förlag AB, 118 80 STOCKHOLM
Telefon: 08 - 555 523 10. Telefax: 08 - 555 523 11
E-post: sis.sales@sis.se. Internet: www.sis.se

EUROPEAN STANDARD
NORME EUROPÉENNE
EUROPÄISCHE NORM

EN 12811-1

December 2003

ICS 91.220

English version

Temporary works equipment - Part 1: Scaffolds - Performance requirements and general design

Equipements temporaires de chantiers - Partie 1:
Echafaudages - Exigences de performance et étude, en
général

Temporäre Konstruktionen für Bauwerke - Teil 1:
Arbeitsgerüste - Leistungsanforderungen, Entwurf,
Konstruktion und Bemessung

This European Standard was approved by CEN on 4 September 2003.

CEN members are bound to comply with the CEN/CENELEC Internal Regulations which stipulate the conditions for giving this European Standard the status of a national standard without any alteration. Up-to-date lists and bibliographical references concerning such national standards may be obtained on application to the Management Centre or to any CEN member.

This European Standard exists in three official versions (English, French, German). A version in any other language made by translation under the responsibility of a CEN member into its own language and notified to the Management Centre has the same status as the official versions.

CEN members are the national standards bodies of Austria, Belgium, Czech Republic, Denmark, Finland, France, Germany, Greece, Hungary, Iceland, Ireland, Italy, Luxembourg, Malta, Netherlands, Norway, Portugal, Slovakia, Spain, Sweden, Switzerland and United Kingdom.



EUROPEAN COMMITTEE FOR STANDARDIZATION
COMITÉ EUROPÉEN DE NORMALISATION
EUROPÄISCHES KOMITEE FÜR NORMUNG

Management Centre: rue de Stassart, 36 B-1050 Brussels

Contents

	Page
Introduction	4
1 Scope	5
2 Normative references	5
3 Terms and definitions	6
4 Materials	10
5 General requirements	11
6 Requirements for structural design	17
7 Product manual	26
8 Instruction manual	26
9 Work on site	27
10 Structural design	27
Annex A (informative) Wind loads on clad working scaffolds	35
Annex B (normative) Base jacks; data for calculation	37
Annex C (normative) Characteristic values of the resistances for couplers	41
Annex D (Informative) National A-deviations	44
Bibliography	45

Foreword

This document (EN 12811-1:2003) has been prepared by Technical Committee CEN/TC 53 “Temporary works equipment”, the secretariat of which is held by DIN.

This European Standard shall be given the status of a national standard, either by publication of an identical text or by endorsement, at the latest by June 2004, and conflicting national standards shall be withdrawn at the latest by June 2004.

This European Standard is one of the package of standards listed below:

- EN 12810-1, Façade scaffolds made of prefabricated components - Part 1: Product specifications
- EN 12810-2, Façade scaffolds made of prefabricated components- Part 2: Particular methods of structural design
- EN 12811-1, Temporary works equipment – Part 1:– Scaffolds – Performance requirements and general design
- prEN 12811-2, Temporary works equipment.– Part 2: Information on materials
- EN 12811-3, Temporary works equipment – Part 3: Load testing

Annexes A and D are informative. Annexes B and C are normative.

This document includes a bibliography.

According to the CEN/CENELEC Internal Regulations, the national standards organizations of the following countries are bound to implement this European Standard: Austria, Belgium, Czech Republic, Denmark, Finland, France, Germany, Greece, Hungary, Iceland, Ireland, Italy, Luxembourg, Malta, Netherlands, Norway, Portugal, Slovakia, Spain, Sweden, Switzerland and the United Kingdom.

EN 12811-1:2003 (E)

Introduction

The purpose of a working scaffold is to provide a safe place of work with safe access suitable for the work being done. This European Standard sets out performance requirements for working scaffolds. These are substantially independent of the materials of which the scaffold is made. The standard is intended to be used as the basis for enquiry and design.

As a number of options are given to suit different applications, a choice has to be made between the various alternatives within this European Standard. All other requirements could be in an associated job specification.

Based on these requirements, a set of rules can be drawn up for a particular type of equipment. These may be standard for general use, or specially prepared for a particular job.

This European Standard includes rules for structural design, which are of particular relevance to scaffolds made of certain materials.

For materials this standard refers only to valid EN standards. However a large stock of equipment made of materials conforming to standards no longer valid is in use. This standard does not cover the use of this equipment.

Because the dimensions of the working scaffold depend on the type of work and the method of execution, the corresponding national legal rules should be taken into account.

1 Scope

This European Standard specifies performance requirements and methods of structural and general design for access and working scaffolds, referred to from hereon as working scaffolds. Requirements given are for scaffold structures, which rely on the adjacent structures for stability. In general these requirements also apply to other types of working scaffolds. Normal requirements are set down, but there is also provision for special cases.

This European Standard also specifies structural design rules when certain materials are used and general rules for prefabricated equipment.

The standard excludes:

- platforms suspended by ropes, whether fixed or movable;
- horizontally movable platforms including Mobile Access Towers (MAT);
- power-operated platforms;
- scaffolds used as protection for roof work;
- temporary roofs.

NOTE 1 Most working scaffolds are formed from prefabricated components or from tubes and couplers. Some examples of working scaffolds are façade scaffolds, static towers and birdcage scaffolds, but details are not given for all of these.

NOTE 2 Falsework and shoring may be made of the structural components described in this standard, but are not working scaffolds.

NOTE 3 Particular requirements for façade scaffolds made of prefabricated components are specified in EN 12810 -1 and EN 12810-2.

2 Normative references

This European Standard incorporates by dated or undated reference, provisions from other publications. These normative references are cited at the appropriate places in the text and the publications are listed hereafter. For dated references, subsequent amendments to or revisions of any of these publications apply to this European Standard only when incorporated in it by amendment or revision. For undated references the latest edition of the publication referred to apply (including amendments).

EN 74: 1988, *Couplers, loose spigots and base-plates for use in working scaffolds and falsework made of steel tubes – Requirements and test procedures.*

prEN 74-1, *Couplers, spigots and baseplates for use in falsework and scaffolds – Part 1: Couplers for tubes – Requirements and test methods.*

EN 338, *Structural timber – Strength classes.*

EN 12810-1:2003, *Façade scaffolds made of prefabricated elements – Part 1: Product specifications.*

EN 12810-2, *Façade scaffolds made of prefabricated elements – Part 2: Methods of particular design and assessment.*

prEN 12811-2: *Temporary works equipment – Part 2: Information on materials.*

EN 12811-3: *Temporary works equipment – Part 3: Load testing.*

prEN 12812:1997, *Falsework - Performance requirements and general design.*

ENV 1990, *Eurocode 1: Basis of structural design.*

EN 12811-1:2003 (E)

ENV 1991-2-4, *Eurocode 1: Basis of design and actions on structures – Part 2-4: Wind actions.*

ENV 1993-1-1:1992, *Eurocode 3: Design of steel structures – Part 1-1: General rules and rules for buildings.*

ENV 1995-1-1, *Eurocode 5: Design of timber structures – Part 1-1: General rules and rules for buildings.*

ENV 1999-1-1:1998, *Eurocode 9: Design of aluminium structures – Part 1-1: Common rules.*

3 Terms and definitions

For the purposes of this European Standard, the following terms and definitions apply (see also Figure 1):

- 3.1 anchorage**
means inserted in, or attached to, the structure for attaching a tie member
- NOTE The effect of an anchorage may be achieved by the tie being connected to a part of the structure primarily intended for other purposes, see 3.23.
- 3.2 base jack**
base plate, which has a means of vertical adjustment
- 3.3 base plate**
plate used for spreading the load in a standard over a greater area
- 3.4 birdcage scaffold**
scaffold structure comprising a grid of standards and a decked area usually intended for working or storage
- 3.5 bracing in horizontal plane**
assembly of components which provides shear stiffness in the horizontal planes, e.g. by decking components, frames, framed panels, diagonal braces and rigid connections between transoms and ledgers or other items used for horizontal bracing
- 3.6 bracing in vertical plane**
assembly of components which provides shear stiffness in the vertical planes, e.g. by closed frames with or without corner bracing, open frames, ladder frames with access openings, rigid or semi-rigid connections between horizontals and the vertical components, diagonal bracing, or other items used for vertical bracing
- 3.7 cladding**
material normally intended to provide weather and dust protection, typically sheeting or netting
- 3.8 coupler**
device used to connect two tubes
- 3.9 design**
conception and calculation to produce a scheme for erection

3.10

ledger

horizontal member normally in the direction of the larger dimension of the working scaffold

3.11

modular system

system in which transoms and standards are separate components where the standards provide facilities at predetermined (modular) intervals for the connection for other scaffold components

3.12

netting

pervious cladding material

3.13

node

theoretical point where two or more members are connected together

3.14

parallel coupler

coupler used for connecting two parallel tubes

3.15

platform

one or more platform units in one level within a bay

3.16

platform unit

unit (prefabricated or otherwise) that supports a load on its own and which forms the platform or part of the platform and may form a structural part of the working scaffold

3.17

right angle coupler

coupler used for connecting two tubes crossing at a right angle

3.18

sheeting

impervious cladding material

3.19

side protection

set of components forming a barrier to protect people from the risk of falling and to retain materials

3.20

sleeve coupler

coupler used for joining two tubes located co-axially

3.21

standard

upright member

3.22

swivel coupler

coupler used for connecting two tubes crossing at any angle

3.23

tie member

component of the scaffold, which connects it with an anchorage at the structure

EN 12811-1:2003 (E)

3.24

transom

horizontal member normally in the direction of the smaller dimensions of the working scaffold

3.25

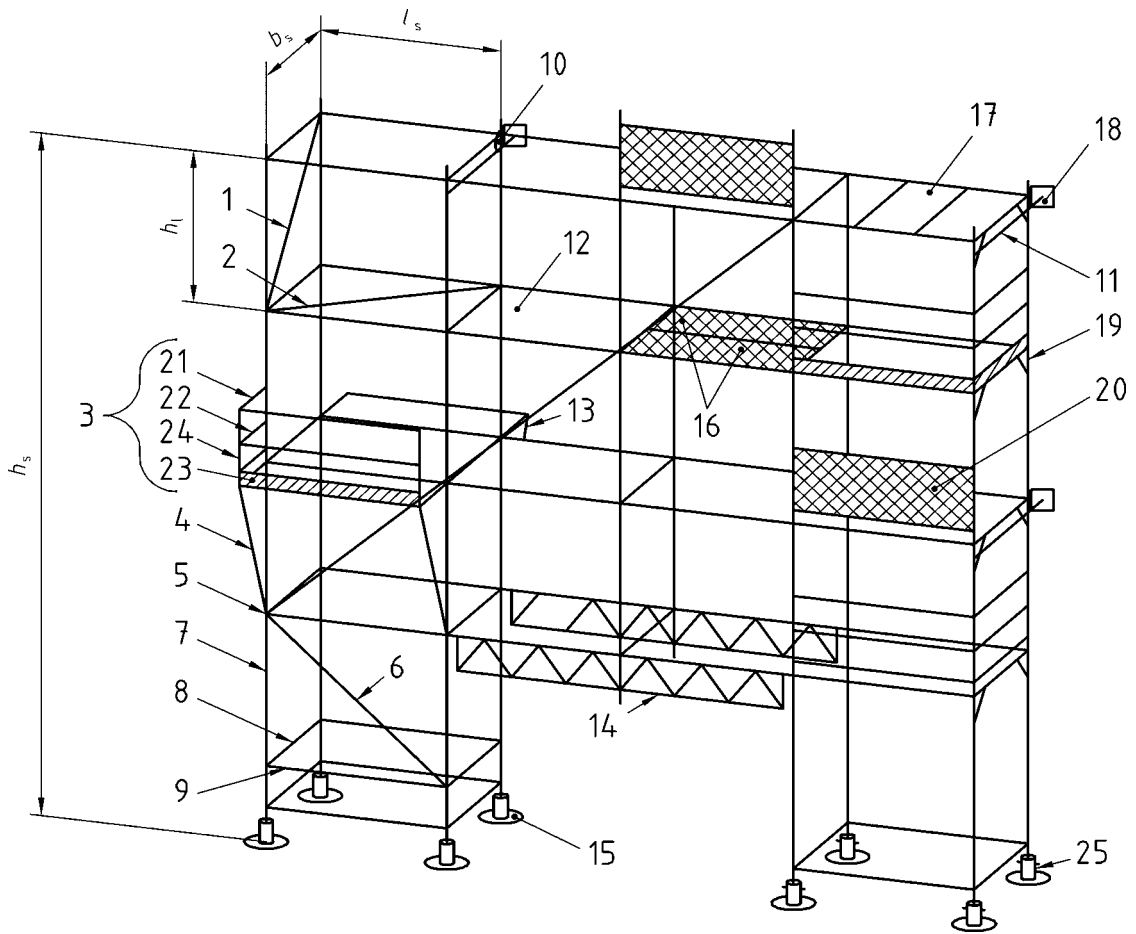
working area

sum of the platforms in one level, to provide an elevated safe place for people to work on and to give access to their work.

3.26

working scaffold

temporary construction, which is required to provide a safe place of work for the erection, maintenance, repair or demolition of buildings and other structures and for the necessary access



Key

h_s	Scaffold height	11	Tie member (3.23)
b_s	Scaffold bay width, centre to centre of standards	12	Platform (3.15)
l_s	Scaffold bay length, centre to centre of standards	13	Bracket (-)
h_l	Scaffold lift height	14	Bridging ledger (-)
1	Bracing in vertical plane ((transverse diagonal) (3.6)	15	Base plate (3.3)
2	Bracing in horizontal plane (3.5)	16	Platform unit (3.16)
3	Side protection (3.19)	17	Horizontal frame (-)
4	Bracket brace (-)	18	Anchorage (3.1)
5	Node (3.13)	19	Vertical frame (-)
6	Bracing in vertical plane (longitudinal diagonal) (3.6)	20	Fencing structure (5.5.5)
7	Standard (3.21)	21	Principal guardrail (5.5.2)
8	Transom (3.24)	22	Intermediate guardrail (5.5.3)
9	Ledger (3.10)	23	Toeboard (5.5.4)
10	Coupler(3.8)	24	Post (-)
		25	Base jack (3.2)

NOTE 1 The Figure is for component identification purposes only and does not show any requirements.

NOTE 2 (-) These terms are not found in the text, but are useful to understand the various components that can be used with a working scaffold.

Figure 1 — Examples of typical components of a façade scaffold system