

Järnvägar – Spårväxlar och -korsningar –
Del 1: Definitioner

Railway applications – Track – Switches and
crossings –
Part 1: Definitions

Europastandarden EN 13232-1:2003 gäller som svensk standard. Detta dokument innehåller den officiella engelska versionen av EN 13232-1:2003.

The European Standard EN 13232-1:2003 has the status of a Swedish Standard. This document contains the official English version of EN 13232-1:2003.

Dokumentet består av 54 sidor.

Upplysningar om **sakinnehållet** i standarden lämnas av SIS, Swedish Standards Institute, tel 08 - 555 520 00.

Standarder kan beställas hos SIS Förlag AB som även lämnar **allmänna upplysningar** om svensk och utländsk standard.

Postadress: SIS Förlag AB, 118 80 STOCKHOLM
Telefon: 08 - 555 523 10. *Telefax:* 08 - 555 523 11
E-post: sis.sales@sis.se. *Internet:* www.sis.se

EUROPEAN STANDARD
NORME EUROPÉENNE
EUROPÄISCHE NORM

EN 13232-1

August 2003

ICS 01.040.45; 45.080

English version

Railway applications - Track - Switches and crossings - Part 1: Definitions

Applications ferroviaires - Voie - Appareils de voie - Partie
1: Définitions

Bahnanwendungen - Oberbau - Weichen und Kreuzungen -
Teil 1: Definitionen

This European Standard was approved by CEN on 17 January 2003.

CEN members are bound to comply with the CEN/CENELEC Internal Regulations which stipulate the conditions for giving this European Standard the status of a national standard without any alteration. Up-to-date lists and bibliographical references concerning such national standards may be obtained on application to the Management Centre or to any CEN member.

This European Standard exists in three official versions (English, French, German). A version in any other language made by translation under the responsibility of a CEN member into its own language and notified to the Management Centre has the same status as the official versions.

CEN members are the national standards bodies of Austria, Belgium, Czech Republic, Denmark, Finland, France, Germany, Greece, Hungary, Iceland, Ireland, Italy, Luxembourg, Malta, Netherlands, Norway, Portugal, Slovakia, Spain, Sweden, Switzerland and United Kingdom.



EUROPEAN COMMITTEE FOR STANDARDIZATION
COMITÉ EUROPÉEN DE NORMALISATION
EUROPÄISCHES KOMITEE FÜR NORMUNG

Management Centre: rue de Stassart, 36 B-1050 Brussels

Contents

	Page
Foreword.....	3
1 Scope	4
2 General definitions	4
3 Definitions of classification terms	9
4 Definitions of terms in turnouts and diamonds	12
5 Definitions of terms in layouts	20
6 Definitions of constituent parts of switch and crossing work	24
7 Definitions of geometry terms for switches and crossings	34
8 Movement and retention of switches and crossings with moveable parts	43
9 Kinematics and dynamics	45
10 Documents	47
Bibliography	52

Foreword

This document (EN 13232-1:2003) has been prepared by Technical Committee CEN /TC 256, "Railway applications", the secretariat of which is held by DIN.

This European Standard shall be given the status of a national standard, either by publication of an identical text or by endorsement, at the latest by February 2004, and conflicting national standards shall be withdrawn at the latest by February 2004.

This series of standards "Railway Applications – Track – Switches and Crossings" covers the design and quality of switches and crossings in flat bottomed rail. The list of Parts is as follows :

- *Part 1 : Definitions*
- *Part 2 : Requirements for Geometric Design*
- *Part 3 : Requirements for Wheel/Rail Interaction*
- *Part 4 : Requirements for Actuation, Locking and Detection*
- *Part 5 : Switches*
- *Part 6 : Fixed common and obtuse crossings*
- *Part 7 : Crossings with moveable parts*
- *Part 8 : Expansion devices*
- *Part 9 : Layouts*

Part 1 contains terminology used throughout all parts of this series. Parts 2 to 4 contain basic design guides and are applicable to all switch and crossing assemblies. Parts 5 to 8 deal with particular types of equipment including their tolerances. These use Parts 1 to 4 as a basis. Part 9 defines the functional and geometric dimensions and tolerances for layout assembly.

The following terms are used within to define the parties involved in using the EN as the technical basis for a transaction :

Customer the Operator or User of the equipment, or the Purchaser of the equipment on the User's behalf.

Supplier the Body responsible for the use of the EN in response to the Customer's requirements.

This document includes a Bibliography.

According to the CEN/CENELEC Internal Regulations, the national standards organizations of the following countries are bound to implement this European Standard: Austria, Belgium, Czech Republic, Denmark, Finland, France, Germany, Greece, Hungary, Iceland, Ireland, Italy, Luxembourg, Malta, Netherlands, Norway, Portugal, Slovakia, Spain, Sweden, Switzerland and the United Kingdom.

1 Scope

This European Standard provides an accepted "terminology" for switch and crossing work. With the assistance of diagrams, the various components are given definitions, and these specific names are regarded as obligatory.

The definitions cover the constituent parts and design geometry of switch and crossing work, and include the movement of switches. Additional terminology of a more specific nature will be defined in the relevant part of the series.

The present definitions set out the terms most generally used for the geometrical form and the construction of switches and crossings, omitting those of too special a nature.

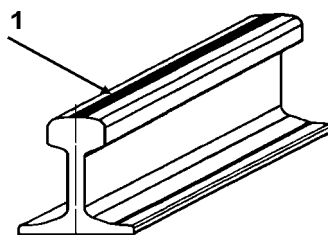
2 General definitions

2.1 contact area

those parts of the rail ensuring the support and/or guidance, inside or outside, of a wheel. See Figure 5.

2.2 running table

upper surface of the head of a rail. See Figure 1.



Key

1 Running table

Figure 1

2.3 running surface

curved surface defined by the longitudinal displacement of a straight line perpendicular to the centre-line of the track and tangential to both running tables. See Figure 2.

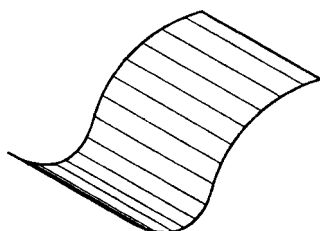
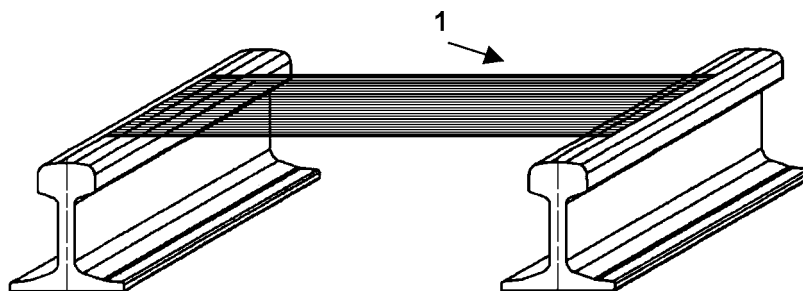


Figure 2

2.4**running plane**

flat plane tangential to the running surface at the considered point. See Figure 3.

**Key**

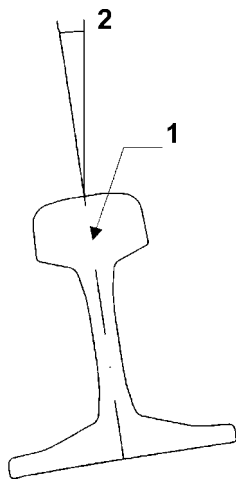
1 Running plane

Figure 3

EN 13232-1:2003 (E)

2.5
rail inclination

angle measured as a tangent (e.g. 1 in 20) between the normal to the running surface and the y-y axis of the rail.
See Figure 4.



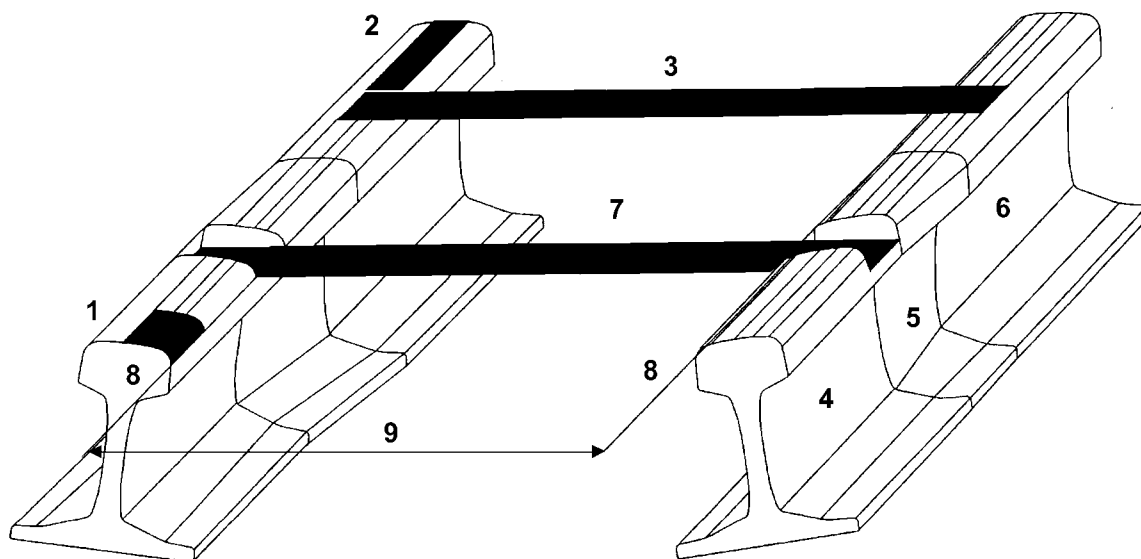
Key

- 1 y-y axis
- 2 Rail inclination

Figure 4

2.6 inclined track

where the axes of the two running rails are inclined inwards towards each other. See Figure 5.



Key

- | | | | |
|---|----------------|---|-----------------------|
| 1 | Contact area | 6 | Vertical track |
| 2 | Running table | 7 | Gauge reference plane |
| 3 | Running plane | 8 | Running edge |
| 4 | Inclined track | 9 | Gauge |
| 5 | Rail twist | | |

Figure 5

2.7 vertical track

where the axes of the two running rails are parallel, that is, have a rail inclination of zero

2.8 rail twist

change in inclination of the rail (e.g. from 1 in 20 to vertical). See Figure 5.

2.9 gauge reference plane

plane parallel to and below the running surface at a dimension "z". This dimension "z" is generally 14 mm. This plane is used for all design work, machining, and measurements. See Figures 5 and 6.

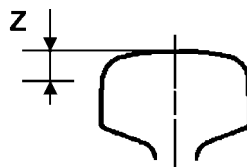


Figure 6

EN 13232-1:2003 (E)

2.10

running edge

intersection of the gauge reference plane with the inside of the rail head. See Figure 5.

2.11

track gauge

distance between the corresponding running edges of the two rails. See Figure 5.

2.12

centre-line of track

line midway between the running edges on straight track, and half normal gauge inside the running edge of the larger radius rail in curved track. See Figures 5 and 7.

2.13

high-side rail

on curved track, the rail with the larger radius, i.e. centre-line radius plus half of track gauge

2.14

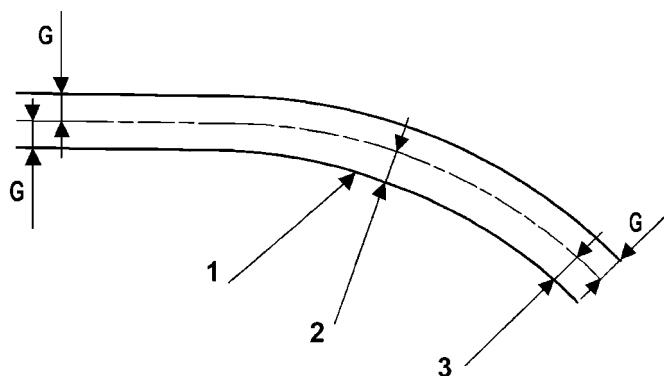
low-side rail

on curved track, the rail with the smaller radius

2.15

gauge widening

intended increase in gauge. The radius of the low-side rail is decreased, and the distance between the centre-line of track and the low-side rail is increased, by the amount of gauge widening. See Figure 7.



Key

- 1 Gauge widening on sharp curves
- 2 $717.5 + \text{Gauge widening}$
- 3 $717.5 + \text{Gauge widening}$
- G = gauge / 2

Figure 7

2.16

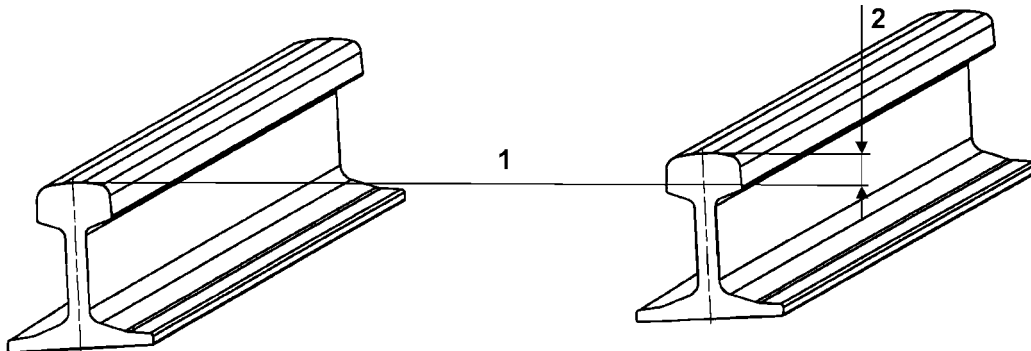
sleeper or bearer spacing

distance along the rails between the centre-lines of adjacent sleepers or bearers

2.17

cant (superelevation)

difference in height, relative to the horizontal, of the two rails of one track at a particular location, measured at the centrelines of the heads of the rails. See Figure 8.



Key

- 1 Horizontal
- 2 Cant (superelevation)

Figure 8

2.18

equilibrium cant

cant for which at a particular stated speed the resultant of the load of vehicle and the centrifugal force is perpendicular to the running plane

2.19

cant deficiency

difference between the applied cant on the track and the equilibrium cant for the vehicle at the particular stated speed

3 Definitions of classification terms

3.1

switch and crossing work

trackwork ensuring the support and guidance of a vehicle along any given route among various diverging or intersecting tracks. The term (switch and crossing work) is amplified to include certain items having other functions (for example, expansion devices).

NOTE: Switches are in some circumstances described as points - either word is considered acceptable. (English version only).

All sketches represent the running edges. All turnouts are viewed from the switch toe (see 6.2.7).