

**Vägfordon – Kopplingstapp 90 för påhängs-
vagnar – Utbytbarhet**

**Road vehicles – 90 semi-trailer fifth wheel
kingpin – Interchangeability**

Den internationella standarden ISO 4086:2001 gäller som svensk standard. Detta dokument innehåller den officiella engelska versionen av ISO 4086:2001.

The International Standard ISO 4086:2001 has the status of a Swedish Standard. This document contains the official English version of ISO 4086:2001.

Dokumentet består av 8 sidor.

Upplysningar om **sakinnehållet** i standarden lämnas av SIS, Swedish Standards Institute, tel 08 - 555 520 00.

Standarder kan beställas hos SIS Förlag AB som även lämnar **allmänna upplysningar** om svensk och utländsk standard.

Postadress: SIS Förlag AB, 118 80 STOCKHOLM
Telefon: 08 - 555 523 10. *Telefax:* 08 - 555 523 11
E-post: sis.sales@sis.se. *Internet:* www.sisforlag.se

Foreword

ISO (the International Organization for Standardization) is a worldwide federation of national standards bodies (ISO member bodies). The work of preparing International Standards is normally carried out through ISO technical committees. Each member body interested in a subject for which a technical committee has been established has the right to be represented on that committee. International organizations, governmental and non-governmental, in liaison with ISO, also take part in the work. ISO collaborates closely with the International Electrotechnical Commission (IEC) on all matters of electrotechnical standardization.

International Standards are drafted in accordance with the rules given in the ISO/IEC Directives, Part 3.

The main task of technical committees is to prepare International Standards. Draft International Standards adopted by the technical committees are circulated to the member bodies for voting. Publication as an International Standard requires approval by at least 75 % of the member bodies casting a vote.

Attention is drawn to the possibility that some of the elements of this International Standard may be the subject of patent rights. ISO shall not be held responsible for identifying any or all such patent rights.

ISO 4086 was prepared by Technical Committee ISO/TC 22, *Road vehicles*, Subcommittee SC 15, *Interchangeability of components of commercial vehicles and buses*.

This third edition cancels and replaces the second edition (ISO 4086:1982), which has been technically revised.

Road vehicles — 90 semi-trailer fifth wheel kingpin — Interchangeability

1 Scope

This International Standard specifies the characteristics of the 90 [89 mm (3,5") diameter] semi-trailer fifth wheel kingpin used for coupling extra-heavy-duty vehicles exceeding the limitations of weight generally laid down by official requirements.

It is applicable to fifth wheel kingpins intended for engaging 90 fifth wheels as defined in ISO 3842^[1].

This International Standard also specifies the dimensional characteristics required for mounting and interchangeability.

NOTE The dimensions of the 50 semi-trailer fifth wheel kingpin, normally used to couple semi-trailers to tractors in compliance with mass limitations usually set by compulsory regulations, are given in ISO 337^[2].

2 Normative reference

The following normative document contains provisions which, through reference in this text, constitute provisions of this International Standard. For dated references, subsequent amendments to, or revisions of, any of these publications do not apply. However, parties to agreements based on this International Standard are encouraged to investigate the possibility of applying the most recent edition of the normative document indicated below. For undated references, the latest edition of the normative document referred to applies. Members of ISO and IEC maintain registers of currently valid International Standards.

ISO 8716:—¹⁾, *Road vehicles — Fifth wheel kingpins — Strength tests*

1) To be published. (Revision of ISO 8716:1988)

3 Basic functional dimensions of the kingpin

The fifth wheel kingpin functional dimensions for ensuring coupling with the fifth wheels defined in ISO 3842 shall be as shown in Figure 1.

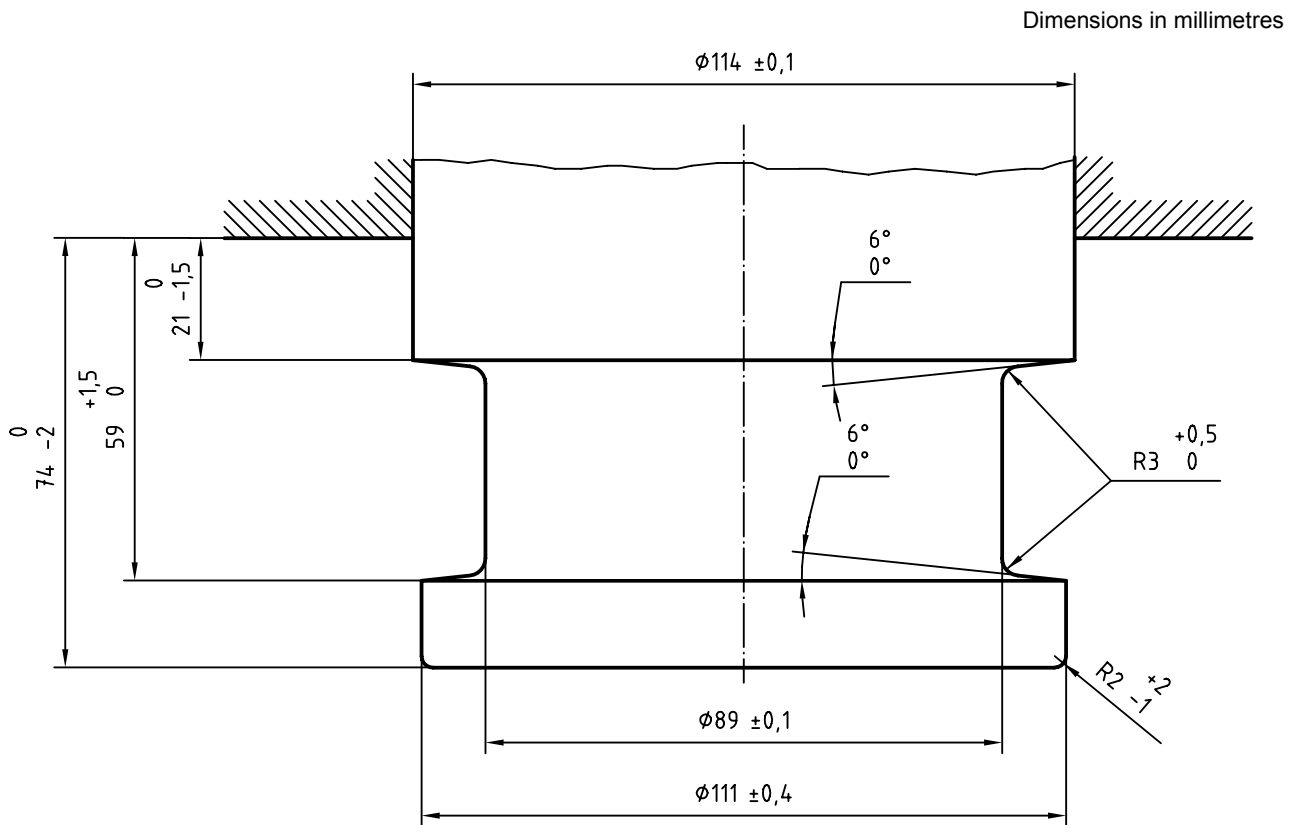


Figure 1 — Basic functional dimensions