

**Aerospace series – Pipe coupling 8°30' in  
titanium alloy – Unions, welded end threaded  
for repair**

Europastandarden EN 3084:2001 gäller som svensk standard. Detta dokument innehåller den officiella engelska versionen av EN 3084:2001.

The European Standard EN 3084:2001 has the status of a Swedish Standard. This document contains the official English version of EN 3084:2001.

Dokumentet består av 7 sidor.

Upplysningar om **sakinnehållet** i standarden lämnas av SIS, Swedish Standards Institute, tel 08 - 555 520 00.

Standarder kan beställas hos SIS Förlag AB som även lämnar **allmänna upplysningar** om svensk och utländsk standard.

*Postadress:* SIS Förlag AB, 118 80 STOCKHOLM  
*Telefon:* 08 - 555 523 10. *Telefax:* 08 - 555 523 11  
*E-post:* sis.sales@sis.se. *Internet:* www.sisforlag.se

EUROPEAN STANDARD  
NORME EUROPÉENNE  
EUROPÄISCHE NORM

**EN 3084**

September 2001

---

ICS 49.080

English version

**Aerospace series - Pipe coupling 8°30' in titanium alloy -  
Unions, welded end threaded for repair**

Série aérospatiale - Système de raccordement 8°30' en  
alliage de titane - Raccords droits, à souder filetés pour  
réparation

Luft- und Raumfahrt - Rohrverschraubung 8°30' aus  
Titanlegierung - Gerade Verschraubungen mit  
Anschweißende für Reparatur

This European Standard was approved by CEN on 20 January 2001.

CEN members are bound to comply with the CEN/CENELEC Internal Regulations which stipulate the conditions for giving this European Standard the status of a national standard without any alteration. Up-to-date lists and bibliographical references concerning such national standards may be obtained on application to the Management Centre or to any CEN member.

This European Standard exists in three official versions (English, French, German). A version in any other language made by translation under the responsibility of a CEN member into its own language and notified to the Management Centre has the same status as the official versions.

CEN members are the national standards bodies of Austria, Belgium, Czech Republic, Denmark, Finland, France, Germany, Greece, Iceland, Ireland, Italy, Luxembourg, Netherlands, Norway, Portugal, Spain, Sweden, Switzerland and United Kingdom.



EUROPEAN COMMITTEE FOR STANDARDIZATION  
COMITÉ EUROPÉEN DE NORMALISATION  
EUROPÄISCHES KOMITEE FÜR NORMUNG

**Management Centre: rue de Stassart, 36 B-1050 Brussels**

## Foreword

This European Standard has been prepared by the European Association of Aerospace Manufacturers (AECMA).

After inquiries and votes carried out in accordance with the rules of this Association, this Standard has received the approval of the National Associations and the Official Services of the member countries of AECMA, prior to its presentation to CEN.

This European Standard shall be given the status of a national standard, either by publication of an identical text or by endorsement, at the latest by March 2002, and conflicting national standards shall be withdrawn at the latest by March 2002.

According to the CEN/CENELEC Internal Regulations, the national standards organizations of the following countries are bound to implement this European Standard: Austria, Belgium, Czech Republic, Denmark, Finland, France, Germany, Greece, Iceland, Ireland, Italy, Luxembourg, Netherlands, Norway, Portugal, Spain, Sweden, Switzerland and the United Kingdom.

## 1 Scope

This standard specifies the characteristics of unions, welded end, threaded, for pipe couplings 8°30', in titanium alloy, for aerospace applications to be used as repair couplings to replace EN 4233.

Nominal pressure: up to 28 000 kPa

Temperature range: - 55 °C to 135 °C

## 2 Normative references

This European Standard incorporates by dated or undated reference provisions from other publications. These normative references are cited at the appropriate places in the text and the publications are listed hereafter. For dated references, subsequent amendments to or revisions of any of these publications apply to this European Standard only when incorporated in it by amendment or revision. For undated references, the latest edition of the publication referred to applies (including amendments).

ISO 5855-3, *Aerospace — MJ threads — Part 3: Limit dimensions for fittings for fluid systems.*

EN 2424, *Aerospace series — Marking of aerospace products.*

EN 2491, *Aerospace series — Molybdenum disulphide dry lubricants — Coating methods.*

EN 2656, *Aerospace series — Pipe coupling — Coupling ends, welded — Geometric configuration.*

EN 3274, *Aerospace series — Pipe coupling 8°30' — Thread ends — Geometric configuration.*

EN 3275, *Aerospace series — Pipe coupling 8°30' up to 28 000 kPa — Dynamic beam seal — Metric series — Technical specification.*

EN 3311, *Aerospace series — Titanium alloy TI-P64001 — Annealed — Bar for machining —  $D \leq 150$  mm.<sup>1)</sup>*

EN 3314, *Aerospace series — Titanium alloy TI-P64001 — Solution treated and aged — Bar for machining —  $D \leq 75$  mm.<sup>1)</sup>*

EN 4233, *Aerospace series — Pipe coupling 8°30' in titanium alloy — Unions, welded, threaded.*

## 3 Required characteristics

### 3.1 Configuration — Dimensions — Mass

According to figures 1 and 2 and table 1. The values apply before lubricating.

Dimensions not specified are at the manufacturer's option provided that the qualification and acceptance requirements of EN 3275, type II are met.

### 3.2 Surface roughness

According to figure 1 and figure 2, unless otherwise specified in the design documentation.

---

<sup>1)</sup> Published as AECMA Prestandard at the date of publication of this standard

**3.3 Materials**

According to EN 3311 or EN 3314.

**3.4 Surface treatment**

Welded end without surface treatment, min. 10 mm (outside and bore diameter).

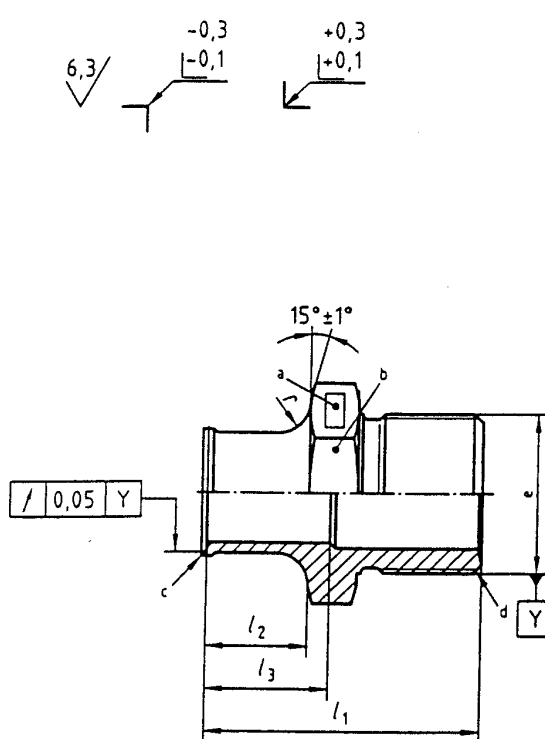
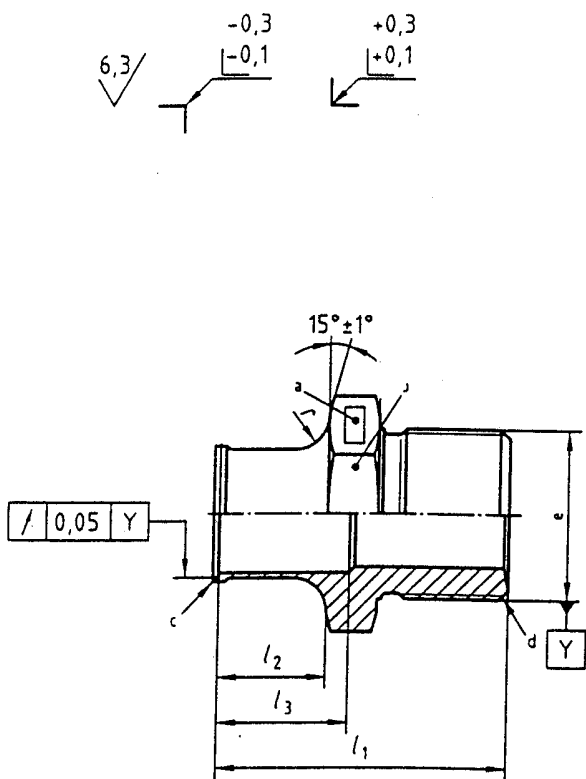
Lubrication: according to EN 2491, on thread and sealing face.

Prior to application of the lubricant, the surface shall be abrasive blasted using non-metallic grit.

Film thickness 0,005 mm to 0,013 mm.

Dimensions in millimetres

Dimensions in millimetres



- a Area for marking
- b Across flats *s*
- c According to EN 2656
- d According to EN 3274, form B
- e Thread

NOTE Pipe internal diameter  $d_1$  in accordance with EN 2656 > diameter  $d_1$  in accordance with EN 3274.

**Figure 1**

- a Area for marking
- b Across flats *s*
- c According to EN 2656
- d According to EN 3274, form B
- e Thread

NOTE Pipe internal diameter  $d_1$  in accordance with EN 2656 < diameter  $d_1$  in accordance with EN 3274.

**Figure 2**