

Fastställt	Utgåva	Sida
2001-07-27	1	1 (1+7)

© Copyright SIS. Reproduction in any form without permission is prohibited.

Swimming pool equipment – Part 7: Additional specific safety requirements and test methods for water polo goals

The European Standard EN 13451-7:2001 has the status of a Swedish Standard. This document contains the official English version of EN 13451-7:2001.

Swedish Standards corresponding to documents referred to in this Standard are listed in "Catalogue of Swedish Standards", issued by SIS. The Catalogue lists, with reference number and year of Swedish approval, International and European Standards approved as Swedish Standards as well as other Swedish Standards.

Utrustning för simbassänger – Del 7: Kompletterande säkerhets- krav och provningsmetoder för vattenpolomål

Europastandarden EN 13451-7:2001 gäller som svensk standard. Detta dokument innehåller den officiella engelska versionen av EN 13451-7:2001.

Motsvarigheten och aktualiteten i svensk standard till de publikationer som omnämns i denna standard framgår av "Katalog över svensk standard", som ges ut av SIS. I katalogen redovisas internationella och europeiska standarder som fastställts som svenska standarder och övriga gällande svenska standarder.

ICS 97.220.10

Standarder kan beställas hos SIS Förlag AB som även lämnar allmänna upplysningar om svensk och utländsk standard.
Postadress: SIS Förlag AB, 118 80 STOCKHOLM
Telefon: 08 - 555 523 00. Telefax: 08 - 555 523 11
E-post: sis.sales@sis.se. Internet: www.sisforlag.se

Upplysningar om **sakinnehållet** i standarden lämnas av SIS.
Telefon: 08 - 555 520 00. Telefax: 08 - 555 520 01

Tryckt i september 2001

EUROPEAN STANDARD
NORME EUROPÉENNE
EUROPÄISCHE NORM

EN 13451-7

February 2001

ICS 97.220.10

English version

Swimming pool equipment - Part 7: Additional specific safety requirements and test methods for water polo goals

Équipement de piscine - Partie 7: Exigences de sécurité et méthodes d'essai complémentaires spécifiques aux buts de water-polo

Schwimmbadgeräte - Teil 7: Zusätzliche besondere sicherheitstechnische Anforderungen und Prüfverfahren für Wasserballtore

This European Standard was approved by CEN on 13 January 2001.

CEN members are bound to comply with the CEN/CENELEC Internal Regulations which stipulate the conditions for giving this European Standard the status of a national standard without any alteration. Up-to-date lists and bibliographical references concerning such national standards may be obtained on application to the Management Centre or to any CEN member.

This European Standard exists in three official versions (English, French, German). A version in any other language made by translation under the responsibility of a CEN member into its own language and notified to the Management Centre has the same status as the official versions.

CEN members are the national standards bodies of Austria, Belgium, Czech Republic, Denmark, Finland, France, Germany, Greece, Iceland, Ireland, Italy, Luxembourg, Netherlands, Norway, Portugal, Spain, Sweden, Switzerland and United Kingdom.



EUROPEAN COMMITTEE FOR STANDARDIZATION
COMITÉ EUROPÉEN DE NORMALISATION
EUROPÄISCHES KOMITEE FÜR NORMUNG

Management Centre: rue de Stassart, 36 B-1050 Brussels

Contents

	Page		Page
Foreword	2	4.2 Structural integrity	5
1 Scope	3	4.3 Buoyancy	5
2 Normative references	3	4.4 Stability	5
3 Terms and definitions	3	4.5 Net	5
4 Safety requirements	4	4.6 Protrusions	5
4.1 Dimensions	4	4.7 Positioning	5
		5 Test methods	5
		5.1 General	5
		5.2 Structural integrity	6
		5.3 Net	6
		5.4 Stability	6
		Annex A (informative) Requirements of FINA ..	7

Foreword

This European Standard was prepared by Technical Committee CEN/TC 136 "Sports, playground and other recreational equipment", the secretariat of which is held by DIN.

This European Standard shall be given the status of a national standard, either by publication of an identical text or by endorsement, at the latest by August 2001, and conflicting national standards shall be withdrawn at the latest by August 2001.

The European Standard EN 13451 "Swimming pool equipment" consists of

- Part 1: General safety requirements and test methods
- Part 2: Additional specific safety requirements and test methods for ladders, stepladders and handle bends
- Part 3: Additional specific safety requirements and test methods for equipment for water treatment purposes
- Part 4: Additional specific safety requirements and test methods for starting platforms
- Part 5: Additional specific safety requirements and test methods for lane lines
- Part 6: Additional specific safety requirements and test methods for turning boards
- Part 7: Additional specific safety requirements and test methods for water polo goals
- Part 8: Additional specific safety requirements and test methods for leisure water features
- Part 9: Safety signs
- Part 10: Additional specific safety requirements and test methods for diving platforms, diving springboards and associated equipment
- Part 11: Additional specific safety requirements and test methods for moveable pool floors and moveable bulkheads

Annex A is informative.

According to the CEN/CENELEC Internal Regulations, the national standards organizations of the following countries are bound to implement this European Standard: Austria, Belgium, Czech Republic, Denmark, Finland, France, Germany, Greece, Iceland, Ireland, Italy, Luxembourg, Netherlands, Norway, Portugal, Spain, Sweden, Switzerland and the United Kingdom.

1 Scope

This part of EN 13451 specifies safety requirements for water polo goals in addition to the general safety requirements of EN 13451-1:2001

The requirements of this specific standard take priority over those in EN 13451-1:2001.

This part of EN 13451:2001 is applicable to manufactured water polo goals for use in competition and training.

2 Normative references

This European Standard incorporates, by dated or undated reference, provisions from other publications. These normative references are cited at the appropriate places in the text and the publications are listed hereafter. For dated references, subsequent amendments to or revisions of any of these publications apply to this European Standard only when incorporated in it by amendment or revision. For undated references, the latest edition of the publication referred to applies (including amendments).

EN 13451-1:2001

Swimming pool equipment - Part 1: General safety requirements and test methods.

EN 22768-1

General tolerances – Part 1: Tolerances for linear and angular dimensions without individual tolerance indications (ISO 2768-1 : 1989)

ISO 1805

Fishing nets – Determination of breaking load and knot breaking load of netting yarns

ISO 2062

Textiles – Yarns from packages – Determination of single-end breaking force and elongation at break

3 Terms and definitions

For the purposes of this standard the terms and definitions of EN 13451-1:2001 and the following apply:

3.1 water polo goals type A: Freely floating, held in place by playing field limitation lines.

3.2 water polo goals type B: Fixed to the pool surround.

4 Safety requirements

4.1 Dimensions

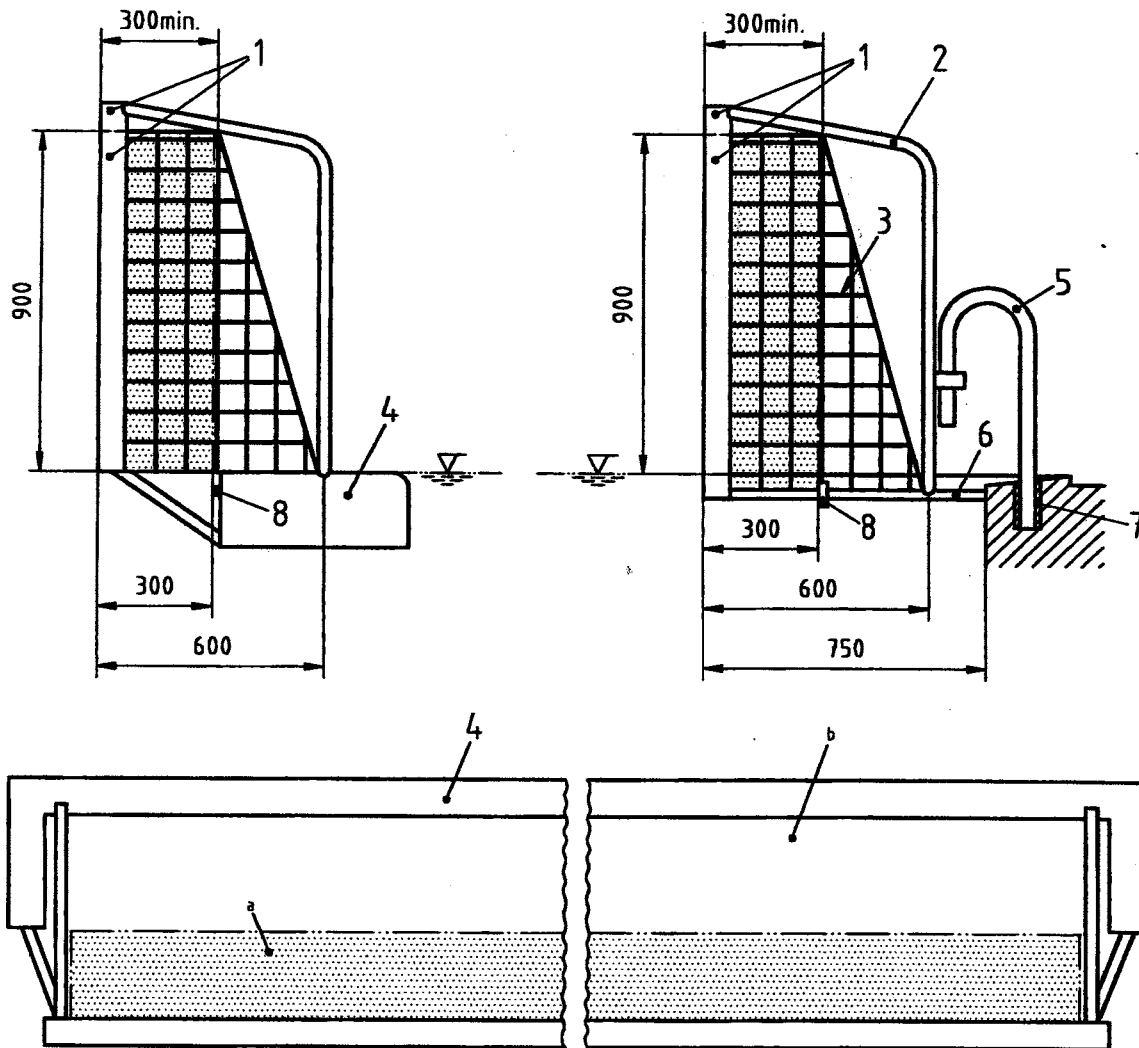
The dimensions indicated in figure 1 shall be complied with. The design of the equipment doesn't need to comply with the examples given.

Dimensions in millimetres

General tolerances: EN 22768-1 – v.

Type A

Type B



Key

- 1 Goal frame
- 2 Net fixings
- 3 Net
- 4 Float
- 5 Support
- 6 Bottom bar
- 7 Method of fixing (e.g. floor sleeve)
- 8 Fixing for playing field limitation rope
- a Clearance zone of the goal
- b Internal goal area

Figure 1: Water polo goals type A and type B