



SWEDISH
STANDARDS
INSTITUTE

SVENSK STANDARD SS-ISO 128-44

Fastställt	Utgåva	Sida
2001-05-11	1	1 (1+9)

© Copyright SIS. Reproduction in any form without permission is prohibited.

Technical drawings – General principles of presentation – Part 44: Sections on mechanical engineering drawing

The International Standard ISO 128-44:2001 has the status of a Swedish Standard. This document contains the official English version of ISO 128-44:2001.

Swedish Standards corresponding to documents referred to in this Standard are listed in "Catalogue of Swedish Standards", issued by SIS. The Catalogue lists, with reference number and year of Swedish approval, International and European Standards approved as Swedish Standards as well as other Swedish Standards.

Ritregler – Allmänna ritregler – Del 44: Snitt på maskinritningar

Den internationella standarden ISO 128-44:2001 gäller som svensk standard. Detta dokument innehåller den officiella engelska versionen av ISO 128-44:2001.

Motsvarigheten och aktualiteten i svensk standard till de publikationer som omnämns i denna standard framgår av "Katalog över svensk standard", som ges ut av SIS. I katalogen redovisas internationella och europeiska standarder som fastställts som svenska standarder och övriga gällande svenska standarder.

ICS 01.100.20

Standarder kan beställas hos SIS Förlag AB som även lämnar allmänna upplysningar om svensk och utländsk standard.
Postadress: SIS Förlag AB, 118 80 STOCKHOLM
Telefon: 08 - 555 523 00. Telefax: 08 - 555 523 11
E-post: sis.sales@sis.se. Internet: www.sisforlag.se

Upplysningar om **sakinnehållet** i standarden lämnas av SIS.
Telefon: 08 - 555 520 00. Telefax: 08 - 555 520 01

Tryckt i augusti 2001

ISO 128-44:2001(E)

PDF disclaimer

This PDF file may contain embedded typefaces. In accordance with Adobe's licensing policy, this file may be printed or viewed but shall not be edited unless the typefaces which are embedded are licensed to and installed on the computer performing the editing. In downloading this file, parties accept therein the responsibility of not infringing Adobe's licensing policy. The ISO Central Secretariat accepts no liability in this area.

Adobe is a trademark of Adobe Systems Incorporated.

Details of the software products used to create this PDF file can be found in the General Info relative to the file; the PDF-creation parameters were optimized for printing. Every care has been taken to ensure that the file is suitable for use by ISO member bodies. In the unlikely event that a problem relating to it is found, please inform the Central Secretariat at the address given below.

© ISO 2001

All rights reserved. Unless otherwise specified, no part of this publication may be reproduced or utilized in any form or by any means, electronic or mechanical, including photocopying and microfilm, without permission in writing from either ISO at the address below or ISO's member body in the country of the requester.

ISO copyright office
Case postale 56 • CH-1211 Geneva 20
Tel. + 41 22 749 01 11
Fax + 41 22 749 09 47
E-mail copyright@iso.ch
Web www.iso.ch

Printed in Switzerland

Foreword

ISO (the International Organization for Standardization) is a worldwide federation of national standards bodies (ISO member bodies). The work of preparing International Standards is normally carried out through ISO technical committees. Each member body interested in a subject for which a technical committee has been established has the right to be represented on that committee. International organizations, governmental and non-governmental, in liaison with ISO, also take part in the work. ISO collaborates closely with the International Electrotechnical Commission (IEC) on all matters of electrotechnical standardization.

International Standards are drafted in accordance with the rules given in the ISO/IEC Directives, Part 3.

Draft International Standards adopted by the technical committees are circulated to the member bodies for voting. Publication as an International Standard requires approval by at least 75 % of the member bodies casting a vote.

Attention is drawn to the possibility that some of the elements of this part of ISO 128 may be the subject of patent rights. ISO shall not be held responsible for identifying any or all such patent rights.

International Standard ISO 128-44 was prepared by Technical Committee ISO/TC 10, *Technical product documentation*, Subcommittee SC 1, *Basic conventions*.

This first edition of ISO 128-44 is based on ISO 128:1982, subclause 4.4 to 4.9 of which it cancels and replaces.

ISO 128 consists of the following parts, under the general title *Technical drawings — General principles of presentation*:

- *Part 20: Basic convention for lines*
- *Part 21: Preparation of lines by CAD systems*
- *Part 22: Basic conventions and applications for leader lines and reference lines*
- *Part 23: Lines on construction drawings*
- *Part 24: Lines on mechanical engineering drawings*
- *Part 25: Lines on shipbuilding drawings*
- *Part 30: Basic conventions for views*
- *Part 34: Views on mechanical engineering drawings*
- *Part 40: Basic conventions for cuts and sections*
- *Part 44: Sections on mechanical engineering drawings*
- *Part 50: Basic conventions for representing areas on cuts and sections*

The following part is under preparation:

- *Part 1: Introduction and index*

Technical drawings — General principles of presentation —

Part 44:

Sections on mechanical engineering drawings

1 Scope

This part of ISO 128 specifies general principles for presenting sections on mechanical engineering drawings following the orthographic projection methods specified in ISO 5456-2. For areas on sections, representation is according to ISO 128-50^[1].

Attention has also been given to the requirements of reproduction, including microcopying in accordance with ISO 6428.

NOTE The basic rules for cuts and sections are given in ISO 128-40^[2].

2 Normative references

The following normative documents contain provisions which, through reference in this text, constitute provisions of this part of ISO 128. For dated references, subsequent amendments to, or revisions of, any of these publications do not apply. However, parties to agreements based on this part of ISO 128 are encouraged to investigate the possibility of applying the most recent editions of the normative documents indicated below. For undated references, the latest edition of the normative document referred to applies. Members of ISO and IEC maintain registers of currently valid International Standards.

ISO 128-20, *Technical drawings — General principles of presentation — Part 20: Basic conventions for lines.*

ISO 128-24:1999, *Technical drawings — General principles of presentation — Part 24: Lines on mechanical engineering drawings.*

ISO 128-40, *Technical drawings — General principles of presentation — Part 40: Basic conventions for cuts and sections.*

ISO 5456-2, *Technical drawings — Projection methods — Part 2: Orthographic representations.*

ISO 6428, *Technical drawings — Requirements for microcopying.*

ISO 10209-1, *Technical product documentation — Vocabulary — Part 1: Terms relating to technical drawings: general and types of drawings.*

ISO 10209-2, *Technical product documentation — Vocabulary — Part 2: Terms relating to projection methods.*

3 Terms and definitions

For the purposes of this part of ISO 128, the terms and definitions given in ISO 10209-1 and ISO 10209-2 apply.

ISO 128-44:2001(E)

4 General

In principle, ribs, fasteners, shafts, spokes of wheels and the like are not cut in longitudinal sections, and should therefore not be represented as sections.

Like views, sections may be shown in a position other than that indicated by the arrows for the direction of their viewing.

5 Cutting planes

A section in one plane is shown in Figure 1 and Figure 2.

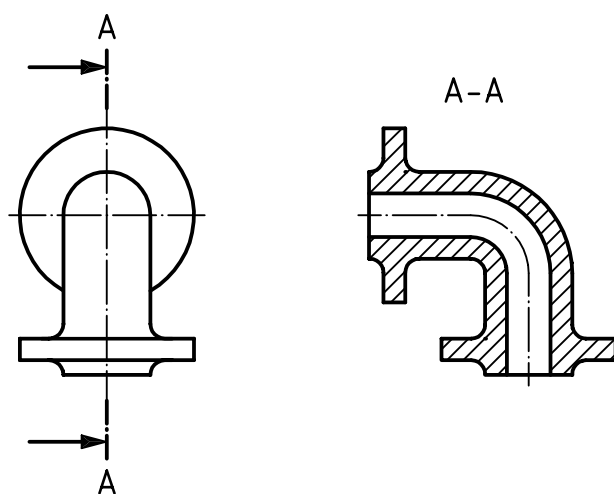


Figure 1 — Section in one plane