

Fastställt	Utgåva	Sida
2001-02-09	1	1 (1+9)

© Copyright SIS. Reproduction in any form without permission is prohibited.

## Gas cylinders – Outlet connections for gas cylinder valves for compressed breathable air – Part 3: Adaptor for 230 bar valves (ISO 12209-3:2000)

The European Standard EN ISO 12209-3:2000 has the status of a Swedish Standard. This document contains the official English version of EN ISO 12209-3:2000.

Swedish Standards corresponding to documents referred to in this Standard are listed in "Catalogue of Swedish Standards", issued by SIS. The Catalogue lists, with reference number and year of Swedish approval, International and European Standards approved as Swedish Standards as well as other Swedish Standards.

## Gasflaskor – Anslutningar för utloppsventil till gasflaskor för komprimerad andningsluft – Del 3: Koppling till ventil för 230 bar (ISO 12209-3:2000)

Europastandarden EN ISO 12209-3:2000 gäller som svensk standard. Detta dokument innehåller den officiella engelska versionen av EN ISO 12209-3:2000.

Motsvarigheten och aktualiteten i svensk standard till de publikationer som omnämns i denna standard framgår av "Katalog över svensk standard", som ges ut av SIS. I katalogen redovisas internationella och europeiska standarder som fastställts som svenska standarder och övriga gällande svenska standarder.

---

ICS 23.020.30; 23.060.40

Standarder kan beställas hos SIS Förlag AB som även lämnar allmänna upplysningar om svensk och utländsk standard.  
Postadress: SIS, Box 6455, 113 82 STOCKHOLM  
Telefon: 08 - 610 30 00. Telefax: 08 - 30 77 57  
E-post: sis.sales@sis.se. Internet: www.sisforlag.se

Upplysningar om **sakinnehållet** i standarden lämnas av SIS (TKS).  
Telefon: 08 - 653 49 68. Telefax: 08 - 653 49 95  
E-post: tks@sis.se

Tryckt i mars 2001



EUROPEAN STANDARD  
NORME EUROPÉENNE  
EUROPÄISCHE NORM

**EN ISO 12209-3**

November 2000

ICS 02.002.30

English version

**Gas cylinders - Outlet connections for gas cylinder valves for  
compressed breathable air - Part 3: Adaptor for 230 bar valves  
(ISO 12209-3:2000)**

Bouteilles à gaz - Raccords de sortie pour robinets de  
bouteilles à gaz pour air comprimé respirable - Partie 3:  
Adaptateur pour robinets 230 bar (ISO 12209-3:2000)

Ortsbewegliche Gasflaschen - Ventilseitenstutzen für  
Gasflaschenventile für verdichtete Atemluft - Teil 3: Adapter  
für 230 bar-Ventil (ISO 12209-3:2000)

This European Standard was approved by CEN on 15 November 2000.

CEN members are bound to comply with the CEN/CENELEC Internal Regulations which stipulate the conditions for giving this European Standard the status of a national standard without any alteration. Up-to-date lists and bibliographical references concerning such national standards may be obtained on application to the Management Centre or to any CEN member.

This European Standard exists in three official versions (English, French, German). A version in any other language made by translation under the responsibility of a CEN member into its own language and notified to the Management Centre has the same status as the official versions.

CEN members are the national standards bodies of Austria, Belgium, Czech Republic, Denmark, Finland, France, Germany, Greece, Iceland, Ireland, Italy, Luxembourg, Netherlands, Norway, Portugal, Spain, Sweden, Switzerland and United Kingdom.



EUROPEAN COMMITTEE FOR STANDARDIZATION  
COMITÉ EUROPÉEN DE NORMALISATION  
EUROPÄISCHES KOMITEE FÜR NORMUNG

**Management Centre: rue de Stassart, 36 B-1050 Brussels**

## **Foreword**

The text of the International Standard ISO 12209-3:2000 has been prepared by Technical Committee ISO/TC 58 "Gas cylinders" in collaboration with Technical Committee CEN/TC 23 "Transportable gas cylinders", the secretariat of which is held by BSI.

This European Standard shall be given the status of a national standard, either by publication of an identical text or by endorsement, at the latest by May 2001, and conflicting national standards shall be withdrawn at the latest by May 2001.

According to the CEN/CENELEC Internal Regulations, the national standards organizations of the following countries are bound to implement this European Standard: Austria, Belgium, Czech Republic, Denmark, Finland, France, Germany, Greece, Iceland, Ireland, Italy, Luxembourg, Netherlands, Norway, Portugal, Spain, Sweden, Switzerland and the United Kingdom.

## **Endorsement notice**

The text of the International Standard ISO 12209-3:2000 was approved by CEN as a European Standard without any modification.

NOTE: Normative references to International Standards are listed in annex ZA (normative).

# Gas cylinders — Outlet connections for gas cylinder valves for compressed breathable air —

## Part 3: Adaptor for 230 bar valves

### 1 Scope

This part of ISO 12209 specifies the characteristics of the adaptors converting the outlet of a threaded type cylinder valve for regulator of compressed breathable air into a yoke type outlet. It states the fundamental requirements for both the connection and its components and specifies basic dimensions.

### 2 Normative references

The following normative documents contain provisions which, through reference in this text, constitute provisions of this part of ISO 12209. For dated references, subsequent amendments to, or revisions of, any of these publications do not apply. However, parties to agreements based on this part of ISO 12209 are encouraged to investigate the possibility of applying the most recent editions of the normative documents indicated below. For undated references, the latest edition of the normative document referred to applies. Members of ISO and IEC maintain registers of currently valid International Standards.

ISO 228-1:2000, *Pipe threads where pressure-tight joints are not made on the threads — Part 1: Dimensions, tolerances and designation.*

ISO 2768-1: 1989, *General tolerances — Part 1: Tolerances for linear and angular dimensions without individual tolerance indications.*

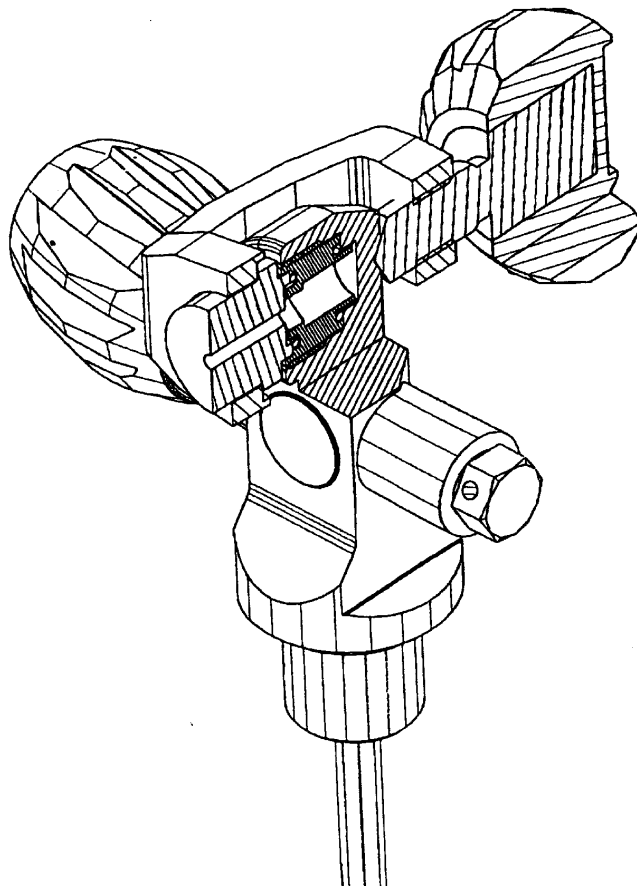
ISO 10297, *Gas cylinders — Refillable gas cylinder valves — Specification and type testing.*

ISO 11114-1, *Transportable gas cylinders — Compatibility of cylinder and valve materials with gas contents — Part 1: Metallic materials.*

ISO 12209-1, *Gas cylinders — Outlet connections for gas cylinder valves for compressed breathable air — Part 1: Yoke type connections.*

### 3 General characteristics

This device shall only be used up to a maximum cylinder working pressure of 230 bar. Figure 1 is an assembly drawing of the adaptor connection.



**Figure 1 — Adaptor connection 230 bar — Assembly drawing**

Basic dimensions for the valve are shown on Figure 2 and given in Table 1.

Basic dimensions for the adaptor are shown on Figure 3 and given in Table 2. For the yoke, see ISO 12209-1.

Unless otherwise specified, the general tolerances of form and position shall be in accordance with class m of ISO 2768-1:1994.

The requirements for material specifications, gas/material compatibility and valve prototype testing are covered in the relevant standards, for example ISO 10297 and ISO 11114-1.