



Handläggande organ

Fastställd

Utgåva

Sida

Tryckkärlsstandardiseringen, TKS

2000-05-19

1

1 (1+32)

© Copyright SIS. Reproduction in any form without permission is prohibited.

Welded static non-pressurised thermoplastics tanks – Part 3: Design and calculation for single skin rectangular tanks

The European Standard EN 12573-3:2000 has the status of a Swedish Standard. This document contains the official English version of EN 12573-3:2000.

Swedish Standards corresponding to documents referred to in this Standard are listed in "Catalogue of Swedish Standards", issued by SIS. The Catalogue lists, with reference number and year of Swedish approval, International and European Standards approved as Swedish Standards as well as other Swedish Standards.

Svetsade stationära icke tryck-satta termoplasttankar – Del 3: Konstruktion och beräkning av enkelmantlade rektangulära tankar

Europastandarden EN 12573-3:2000 gäller som svensk standard. Detta dokument innehåller den officiella engelska versionen av EN 12573-3:2000.

Motsvarigheten och aktualiteten i svensk standard till de publikationer som omnämns i denna standard framgår av "Katalog över svensk standard", som ges ut av SIS. I katalogen redovisas internationella och europeiska standarder som fastställts som svenska standarder och övriga gällande svenska standarder.

ICS 23.020.10

Standarder kan beställas hos SIS Förlag AB som även lämnar allmänna upplysningar om svensk och utländsk standard.
Postadress: SIS, Box 6455, 113 82 STOCKHOLM
Telefon: 08 - 610 30 00. Telefax: 08 - 30 77 57
E-post: sis.sales@sis.se. Internet: www.sisforlag.se

Upplysningar om **sakinnehållet** i standarden lämnas av TKS.
Telefon: 08 - 653 49 68. Telefax: 08 - 653 49 95
E-post: tk.s@sis.se

Prisgrupp R

Tryckt i juli 2000

EUROPEAN STANDARD

EN 12573-3

NORME EUROPÉENNE

EUROPÄISCHE NORM

March 2000

ICS 23.020.10

English version

Welded static non-pressurised thermoplastic tanks - Part 3: Design and calculation for single skin rectangular tanks

Cuves statiques soudées en matières thermoplastiques
sans pression - Partie 3: Conception et calcul des cuves
parallélépipédiques rectangles à simple paroi

Geschweißte ortsfeste drucklose Behälter (Tanks) aus
Thermoplasten - Teil 3: Konstruktion und Berechnung von
einwandigen Rechteckbehältern (-tanks)

This European Standard was approved by CEN on 14 February 2000.

CEN members are bound to comply with the CEN/CENELEC Internal Regulations which stipulate the conditions for giving this European Standard the status of a national standard without any alteration. Up-to-date lists and bibliographical references concerning such national standards may be obtained on application to the Central Secretariat or to any CEN member.

This European Standard exists in three official versions (English, French, German). A version in any other language made by translation under the responsibility of a CEN member into its own language and notified to the Central Secretariat has the same status as the official versions.

CEN members are the national standards bodies of Austria, Belgium, Czech Republic, Denmark, Finland, France, Germany, Greece, Iceland, Ireland, Italy, Luxembourg, Netherlands, Norway, Portugal, Spain, Sweden, Switzerland and United Kingdom.



EUROPEAN COMMITTEE FOR STANDARDIZATION
COMITÉ EUROPÉEN DE NORMALISATION
EUROPÄISCHES KOMITEE FÜR NORMUNG

Central Secretariat: rue de Stassart, 36 B-1050 Brussels

Contents

	Page
Foreword	3
1 Scope	3
2 Normative references	3
3 Definitions, symbols and abbreviations	4
3.1 Definitions	4
3.2 Symbols and abbreviations	4
4 General considerations in design calculations	5
5 Unstiffened tanks sitting on a continuous flat rigid surface	7
5.1 General	7
5.2 Aspect ratio $x/y < 0,5$	7
5.3 Aspect ratio $0,5 \leq x/y \leq 4$	8
5.4 Aspect ratio $x/y > 4$	8
6 Tanks with rim stiffening supported on a continuous flat rigid surface	8
6.1 Calculation of the skin thickness	8
6.2 Calculation of rim stiffeners	11
7 Tanks with intermediate horizontal stiffeners supported on a continuous flat rigid surface	12
7.1 General	12
7.2 Calculation of the minimum skin thickness	12
7.3 Calculation of the horizontal stiffeners	13
8 Tanks with cross-ribbed horizontal and vertical stiffeners supported on a continuous rigid surface	14
8.1 Calculation of the minimum skin thickness, base thickness and properties of horizontal stiffeners ...	14
8.2 Calculation of the properties of vertical stiffeners	14
9 Rectangular tanks with U-frame	15
9.1 General	15
9.2 Calculation of the skin thickness of the side walls	16
9.3 Determination of the tank base	16
9.4 Calculation of the U-frame stiffening	16
10 Determination of the tank cover	17
10.1 General	17
10.2 Freely supported tank cover	17
10.3 Fixed tank cover	17
10.4 Stiffened tank cover	19
Annex A (informative) Construction details for rectangular tanks	21
Annex B (informative) Special cases	29
Annex C (informative) A-deviations	31
Bibliography	32

Foreword

This European Standard has been prepared by Technical Committee CEN/TC 266 "Thermoplastic static tanks", the secretariat of which is held by BSI.

This European Standard shall be given the status of a national standard, either by publication of an identical text or by endorsement, at the latest by September 2000, and conflicting national standards shall be withdrawn at the latest by September 2000.

The informative annex A gives some construction details of rectangular tanks as examples.

prEN 12573:1999 "Welded static non-pressurised thermoplastic tanks" consists of:

- Part 1: General principles
- Part 2: Calculation of vertical cylindrical tanks
- Part 3: Design and calculation of single skin rectangular tanks
- Part 4: Design and calculation of flanged joints

According to the CEN/CENELEC Internal Regulations, the national standards organizations of the following countries are bound to implement this European Standard: Austria, Belgium, Czech Republic, Denmark, Finland, France, Germany, Greece, Iceland, Ireland, Italy, Luxembourg, Netherlands, Norway, Portugal, Spain, Sweden, Switzerland and the United Kingdom.

1 Scope

This standard specifies the design and calculation for single skin rectangular tanks, fabricated from the following thermoplastics:

- Polyethylene (PE)
- Polypropylene (PP)
- Poly (vinyl chloride) (PVC)
- Poly (vinylidene fluoride) (PVDF)

The tanks may be strengthened on the outside by means of ribs or frames made of the same or other materials. This standard is only applicable to tanks which are not intended to withstand internal pressure or vacuum, other than that which may occur during the transfer of fluids (including gases) in their normal operation. The calculation takes into account short-term and long-term active pressures as well as the hydrostatic loading. The following values are long-term pressures and represent the limiting values:

Overpressure: $0,0005 \text{ N/mm}^2$ (0,005 bar)

Low pressure: $0,0003 \text{ N/mm}^2$ (0,003 bar)

Plate theory was used as the basis of the calculation in this document. Reference to membrane theory is given in Annex B.

2 Normative references

This European Standard incorporates by dated or undated reference, provisions from other publications. These normative references are cited at the appropriate places in the text and the publications are listed hereafter. For dated references, subsequent amendments to or revisions of any of these publications apply to this European Standard only when incorporated in it by amendment or revision. For undated references the latest edition of the publication referred to applies.

prEN 12573-1:1999 Welded static non-pressurised thermoplastic tanks – Part 1: General principles

EN 1778 Characteristic values for welded thermoplastic constructions – Determination of allowable stresses and moduli for design of thermoplastic equipment

3 Definitions, symbols and abbreviations

For the purposes of this part of this Standard the following definitions, symbols and abbreviations apply:

3.1 Definitions

- 3.1.1 Skin:** Basic structural element of the tank.
- 3.1.2 Stiffener:** Section attached horizontally or vertically to the skin of the tank.
- 3.1.3 Wall:** Skin of the tank plus stiffeners.
- 3.1.4 Panel:** Area of the skin between stiffeners.
- 3.1.5 U-frame:** Stiffener running beneath the base and vertically up the side of the tank.

3.2 Symbols and abbreviations

E	is the elastic modulus of the stiffener material (with plastics, this corresponds to E_c), in Newton per square millimetre
$E_{c(al.)D}$	is the allowable creep modulus at the design condition for deformation (temperature, stress, time, medium), in newton per square millimetre, see EN 1778
F	is the force, in newton
f	is the maximum deflection, in millimetre
J	is the moment of inertia of stiffener, in millimetre to the fourth power
k	is the correction coefficient for the deflection of the wall
M	is the bending moment, in newton millimetre
N	is the rigidity coefficient
p	is the excess pressure on the tank base, in newton per square millimetre
p_D	is the uniformly distributed load acting on the cover, in newton per square millimetre
p_m	is the mean value of excess pressure for calculation of skin thickness, in newton per square millimetre
p_1	is the mean value of excess pressure for calculation of the stiffener, in newton per square millimetre
t	is the skin thickness, in millimetre
W	is the moment of resistance of rim stiffeners, in cubic millimetre
x	is the length of the tank or distance between the vertical stiffeners, in millimetre
x'	is the effective length of panels assigned to stiffeners, in millimetre
y	is the depth of the tank or distance between the horizontal stiffeners, in millimetre
y'	is the effective depth of panels assigned to stiffeners, in millimetre
z	is the width of the tank or panel, in millimetre
$\alpha_1 \dots \alpha_5$	is the deformation coefficient
$\beta_1 \dots \beta_5$	is the stress coefficient
$\sigma_{al.}$	is the allowable stress, in newton per square millimetre, see EN 1778

4 General considerations in design calculations

General principles in accordance with prEN 12573-1:1999.

Calculation methods are given only for the tank designs illustrated in figures 1 to 5.

Welds should be situated in regions of low bending moments; the maximum bending moments are shown in figures 6, 7 and 8.

NOTE: The design should take account of the effects of thermal expansion between the tank wall and any external stiffening.

The maximum deflection shall not be larger than the half skin thickness.

$$f \leq 0,5 t$$

For construction details of rectangular tank see annex A.

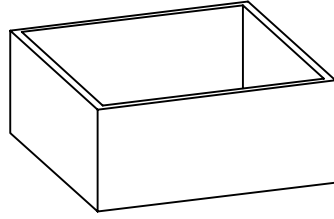


Figure 1: Unstiffened tank

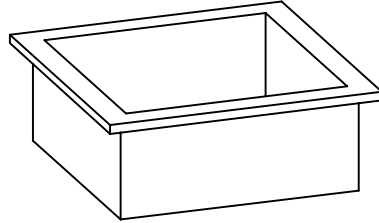


Figure 2: Tank with a horizontal rim stiffener

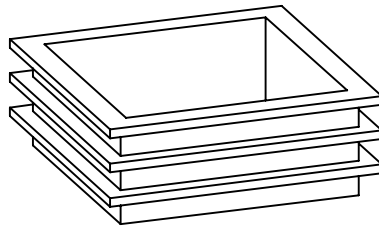


Figure 3: Tank with intermediate horizontal stiffeners

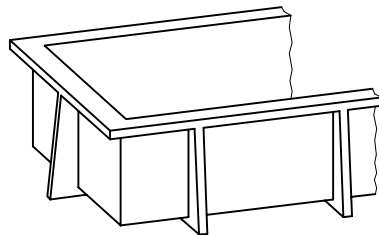


Figure 4: Tank with vertical stiffeners

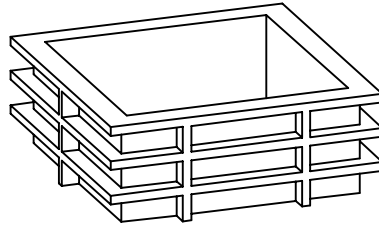


Figure 5: Tank with cross-ribbed horizontal and vertical stiffeners

5 Unstiffened tanks sitting on a continuous flat rigid surface

5.1 General

The calculation of the minimum skin thickness depends on the ratio between the length (x) and depth (y) (see figure 6). The thickness of the base shall be of similar magnitude to the actual thickness of the skin.

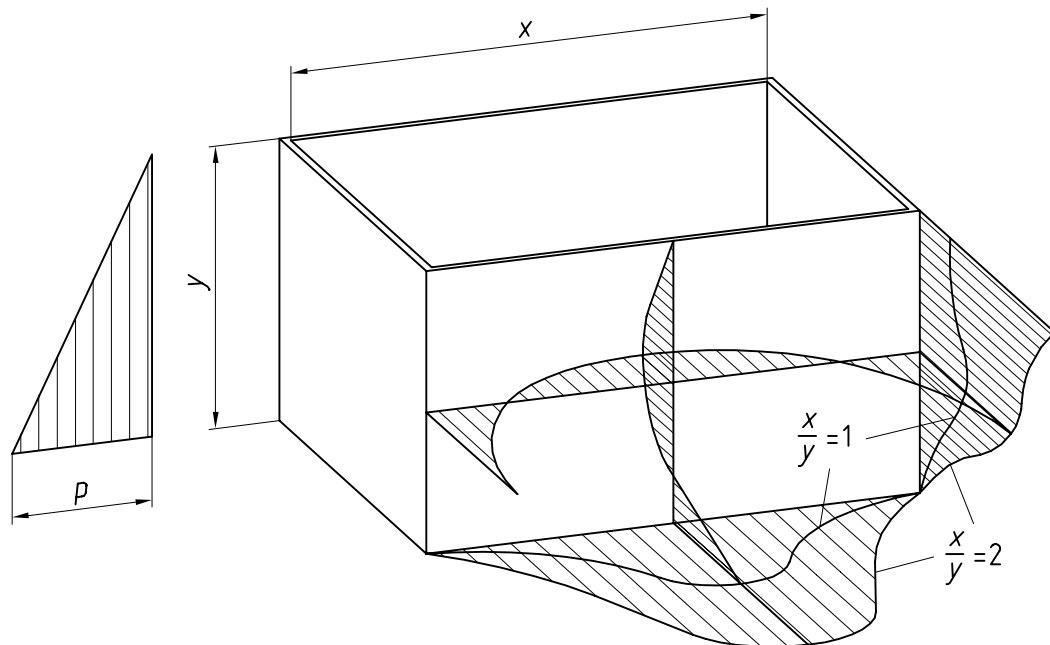


Figure 6: Principal distribution of bending moments in an unstiffened tank

5.2 Aspect ratio $x/y < 0,5$

The minimum skin thickness shall be calculated according to equation (1).

$$t = \sqrt{\frac{p x^2}{2,5 \sigma_{al}}} \quad (1)$$

NOTE 1: In equation (1) for the skin thickness (t), the skin has been assumed as a beam fixed at both ends with the load distributed uniformly between these two points. This leads to a factor of 2 in the denominator. To provide better agreement with measured values, the factor was increased to 2,5.

The maximum deflection of the skin shall be calculated according to equation (2).

$$f = \frac{p x^4}{32 k E_{c(al.)_D} t^3} \quad (2)$$

The correction coefficient k is either 1 when $x < y$ or 2 when $x/y \approx 0,5$.

NOTE 2: In equation (2) for the deflection, there is a factor of 32 in the denominator when a beam is fixed at both ends with the load distributed uniformly between these two points. However, it is possible to use equations based on plate theory which exactly correspond to the particular load case and lead to a factor of 68 if $x/y \approx 0,5$. Therefore, an additional correction coefficient k was introduced, which, depending on x/y , gives sufficiently accurate results.

5.3 Aspect ratio $0,5 \leq x/y \leq 4$

The minimum skin thickness shall be calculated according to equation (3).

$$t = \sqrt{\beta_1 \frac{p y^2}{\sigma_{al.}}} \quad (3)$$

The maximum deflection of the skin shall be calculated according to equation (4).

$$f = \frac{\alpha_1 p y^4}{E_{c(al.)_D} t^3} \quad (4)$$

The values for β_1 and α_1 shall be taken from table 1.

5.4 Aspect ratio $x/y > 4$

The minimum skin thickness shall be calculated according to equation (5).

$$t = \sqrt{\frac{p y^2}{\sigma_{al.}}} \quad (5)$$

The maximum deflection of the skin shall be calculated according to equation (6).

$$f = \frac{p y^4}{2,5 E_{c(al.)_D} t^3} \quad (6)$$

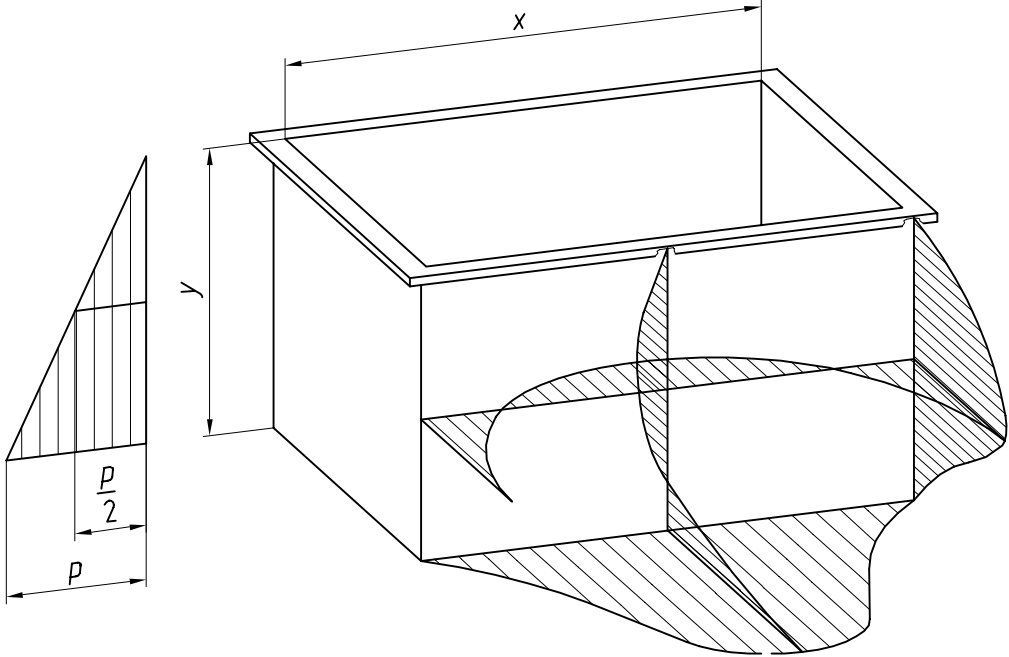
NOTE: The tank wall here is considered as a cantilever with a triangular load.

6 Tanks with rim stiffening supported on a continuous flat rigid surface

6.1 Calculation of the skin thickness

6.1.1 General

The calculation of the minimum skin thickness is based on the assumption that the rim stiffening constitutes a firm support. The thickness of the base shall be of similar magnitude to the actual thickness of the skin (see figure 7).



$\frac{p}{2}$ = average area load

Figure 7: Principal distribution of bending moments in a tank with rim stiffening