

Flexibla tätskikt – Bestämning av rivstyrka –
Del 1: Bitumenbaserade tätskikt för tak

Flexible sheets for waterproofing –
Part 1: Bitumen sheets for roof waterproofing –
Determination of resistance to tearing (nail shank)

Europastandarden EN 12310-1:1999 gäller som svensk standard. Detta dokument innehåller den officiella engelska versionen av EN 12310-1:1999.

The European Standard EN 12310-1:1999 has the status of a Swedish Standard. This document contains the official English version of EN 12310-1:1999.

Dokumentet består av 8 sidor.

Upplysningar om **sakinnehållet** i standarden lämnas av SIS, Swedish Standards Institute, tel 08 - 555 520 00.

Standarder kan beställas hos SIS Förlag AB som även lämnar **allmänna upplysningar** om svensk och utländsk standard.

Postadress: SIS Förlag AB, 118 80 STOCKHOLM
Telefon: 08 - 555 523 10. *Telefax:* 08 - 555 523 11
E-post: sis.sales@sis.se. *Internet:* www.sis.se

EUROPEAN STANDARD
NORME EUROPÉENNE
EUROPÄISCHE NORM

EN 12310-1

September 1999

ICS 91.100.50

English version

**Flexible sheets for waterproofing - Part 1: Bitumen sheets for
roof waterproofing - Determination of resistance to tearing (nail
shank)**

Feuilles souples d'étanchéité - Partie 1: Feuilles
d'étanchéité de toiture bitumineuses - Détermination de la
résistance à la déchirure (au clou)

Abdichtungsbahnen - Teil 1: Bitumenbahnen für
Dachabdichtungen - Bestimmung des
Weiterreißwiderstandes (Nagelschaft)

This European Standard was approved by CEN on 21 August 1999.

CEN members are bound to comply with the CEN/CENELEC Internal Regulations which stipulate the conditions for giving this European Standard the status of a national standard without any alteration. Up-to-date lists and bibliographical references concerning such national standards may be obtained on application to the Central Secretariat or to any CEN member.

This European Standard exists in three official versions (English, French, German). A version in any other language made by translation under the responsibility of a CEN member into its own language and notified to the Central Secretariat has the same status as the official versions.

CEN members are the national standards bodies of Austria, Belgium, Czech Republic, Denmark, Finland, France, Germany, Greece, Iceland, Ireland, Italy, Luxembourg, Netherlands, Norway, Portugal, Spain, Sweden, Switzerland and United Kingdom.



EUROPEAN COMMITTEE FOR STANDARDIZATION
COMITÉ EUROPÉEN DE NORMALISATION
EUROPÄISCHES KOMITEE FÜR NORMUNG

Central Secretariat: rue de Stassart, 36 B-1050 Brussels

Contents

	Page
Foreword	3
Introduction	3
1 Scope	3
2 Normative references	3
3 Definitions	3
4 Principle	3
5 Apparatus	3
6 Sampling	5
7 Preparation of test specimens	5
8 Procedure	5
9 Expression of results, evaluation and precision of test method	5
10 Test report	6

Foreword

This European Standard has been prepared by Technical Committee CEN/TC 254 "Flexible sheets for waterproofing", the secretariat of which is held by BSI.

This European Standard shall be given the status of a national standard, either by publication of an identical text or by endorsement, at the latest by March 2000, and conflicting national standards shall be withdrawn at the latest by September 2001.

According to the CEN/CENELEC Internal Regulations, the national standards organizations of the following countries are bound to implement this European Standard: Austria, Belgium, Czech Republic, Denmark, Finland, France, Germany, Greece, Iceland, Ireland, Italy, Luxembourg, Netherlands, Norway, Portugal, Spain, Sweden, Switzerland and the United Kingdom.

Introduction

This European Standard is intended for the characterisation of bitumen sheets as manufactured or supplied before use. The test method relates exclusively to products, or to their components where appropriate, and not to waterproofing membrane systems composed of such products and installed in the works.

This test is intended to be used in conjunction with European Standards on product characteristics on reinforced and unreinforced bitumen sheets for roof waterproofing.

1 Scope

This European Standard specifies a method for the determination of the resistance tearing (nail shank) of bitumen sheets for roofing.

2 Normative references

This European Standard incorporates by dated or undated reference, provisions from other publications. These normative references are cited at the appropriate places in the text and the publications are listed hereafter. For dated references, subsequent amendments to or revisions of any of these publications apply to this European Standard only when incorporated in it by amendment or revision. For undated references the latest edition of the publication referred to applies.

EN 10002-2, Metallic materials - Tensile testing - Part 2 : Verification of the force measuring system of the tensile testing machines.

3 Definitions

For the purposes of this standard the definitions indicated in 3.1 and in the corresponding European Standard on product characteristics apply:

3.1 resistance to tearing (nail shank): The tensile force required to tear a test specimen held by a nail shank.

4 Principle

The test measures the force required to tear a test specimen pierced by a nail shank by a force applied to the product at right angles to the shank axis.

5 Apparatus

5.1 Tensile testing machine

Tensile testing machine equipped with a continuous recording of force and corresponding distance, capable of maintaining a uniform rate of grip separation as specified below. The tensile testing machine shall have a sufficient loading capacity (at least 2000 N) and a sufficient distance of grip separation, with a grip separation speed of (100 ± 10) mm per minute. The width of grip shall not be less than 100 mm.

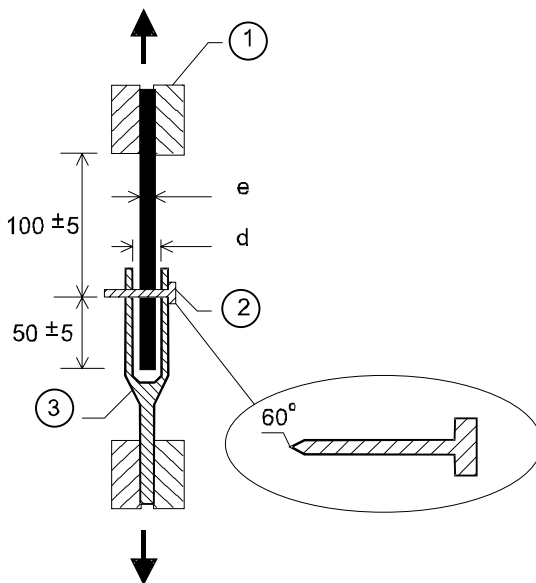
The tensile testing machine shall be equipped with grips of a type which maintain or increase the gripping pressure as a function of the increase of the force applied to the specimen. The test specimen shall be held so that it does not slip in the grips more than 2 mm. To prevent slippage from the grips exceeding 2 mm it will be permitted to use cooled grips. The grip system shall not provoke an early failure of the test specimen on or at the grips.

The force measuring system shall meet at least class 2 in accordance with EN 10002-2 (i. e. $\pm 2\%$).

5.2 Stirrup assembly

The stirrup assembly shall provide a point of attachment to one grip of the tensile testing machine at one end and two arms to support the test specimen at the other. The arms shall be provided with locating holes for the nail shank, so positioned to allow the test described in clause 8 to be carried out (see figure 1)

Dimensions in millimetres



- 1 Grip
- 2 Nail shank ($\phi 2,5 \pm 0,1$)
- 3 Stirrup
- e Sample thickness
- d Stirrup gap ($e + 1 \leq d \leq e + 2$)

Figure 1 Nail shank tear testing