

Handläggande organ

Allmänna Standardiseringsgruppen, STG

Fastställt

1996-08-09

Utgåva

1

Sida

1 (1+7)

SIS FASTSTÄLLER OCH UTGER SVENSK STANDARD SAMT SÄLJER NATIONELLA, EUROPEISKA OCH INTERNATIONELLA STANDARDPUBLIKATIONER ©

Feather and down - Method of test for measuring the sizes of quilts filled with feather and/or down

The European Standard EN 1167:1996 has the status of a Swedish Standard. This document contains the official English version of EN 1167:1996.

Swedish Standards corresponding to documents referred to in this Standard are listed in "Catalogue of Swedish Standards", annually issued by SIS. The Catalogue lists, with reference number and year of Swedish approval, International and European Standards approved as Swedish Standards as well as other Swedish Standards.

Fjäder och dun - Metod för mätning av storleken på täcken fyllda med dun och/eller fjäder

Europastandarden EN 1167:1996 gäller som svensk standard. Detta dokument innehåller den officiella engelska versionen av EN 1167:1996.

Motsvarigheten och aktualiteten i svensk standard till de publikationer som omnämns i denna standard framgår av "Katalog över svensk standard", som årligen ges ut av SIS. I katalogen redovisas internationella och europeiska standarder som fastställts som svenska standarder och övriga gällande svenska standarder.

ICS 67.120.20;97.160

Standarder kan beställas hos SIS som även lämnar allmänna upplysningar om svensk och utländsk standard.
Postadress: SIS, Box 6455, 113 82 STOCKHOLM
Telefon: 08 - 610 30 00. Telefax: 08 - 30 77 57

Upplysningar om **sakinnehållet** i standarden lämnas av STG.
Telefon: 08 - 13 62 50. Telefax: 08 - 618 61 28

Prisgrupp L

Tryckt i oktober 1996

ICS 67.120.20;97.160

Descriptors: stuffings, feathers, quilts, tests, dimensional measurements

English version

**Feather and down - Method of test for measuring
the sizes of quilts filled with feather and/or down**

Plumes et duvets - Méthode d'essai pour la
mesure des dimensions des couettes garnies de
plumes et/ou duvet

Federn und Daunen - Prüfverfahren zur
Größenmessung von mit Federn und/oder
Daunen gefüllten Zudecken

This European Standard was approved by CEN on 1996-05-16. CEN members are bound to comply with the CEN/CENELEC Internal Regulations which stipulate the conditions for giving this European Standard the status of a national standard without any alteration.

Up-to-date lists and bibliographical references concerning such national standards may be obtained on application to the Central Secretariat or to any CEN member.

The European Standards exist in three official versions (English, French, German). A version in any other language made by translation under the responsibility of a CEN member into its own language and notified to the Central Secretariat has the same status as the official versions.

CEN members are the national standards bodies of Austria, Belgium, Denmark, Finland, France, Germany, Greece, Iceland, Ireland, Italy, Luxembourg, Netherlands, Norway, Portugal, Spain, Sweden, Switzerland and United Kingdom.

CEN

European Committee for Standardization
Comité Européen de Normalisation
Europäisches Komitee für Normung

Central Secretariat: rue de Stassart 36, B-1050 BRUSSELS

Page 2
EN 1167:1996

Foreword

This European Standard has been prepared by Technical Committee CEN/TC 222 "Feather and down as filling material for any article, as well as finished articles filled with feather and down" of which the secretariat is held by UNI.

This European Standard shall be given the status of a national standard, either by publication of an identical text or by endorsement, at the latest by December 1996, and conflicting national standards shall be withdrawn at the latest by December 1996.

According to the CEN/CENELEC Internal Regulations, the national standards organizations of the following countries are bound to implement this European Standard: Austria, Belgium, Denmark, Finland, France, Germany, Greece, Iceland, Ireland, Italy, Luxembourg, Netherlands, Norway, Portugal, Spain, Sweden, Switzerland, United Kingdom.

1 Scope

This European Standard describes a method for the determination of all sizes of ready-made quilts filled with feather and/or down. The method does not apply to quilts with rounded edges of greater radius.

2 Normative references

This European Standard incorporates by dated or undated reference, provisions from other publications. These normative references are cited at the appropriate places in the text and the publications are listed hereafter. For dated references, subsequent amendments to or revisions of any of these publications apply to this European Standard only when incorporated in it by amendment or revision. For undated references the latest edition of the publication referred to applies.

EN 20139 Textiles - Standard atmospheres for conditioning and testing (ISO 139:1973)

EN 20187 Paper, board and pulps - Standard atmosphere for conditioning and testing and procedure for monitoring the atmosphere and conditioning of samples (ISO 187:1990).

3 Principle

The dimensions of a rectangular quilt are determined along the edges under a specified tension in an appropriate apparatus. If the corners are not exactly rectangular, i.e. slightly rounded, the corner lines may be extrapolated.

4 Apparatus

The test apparatus (see figure 1) consists of a smooth table top with a minimum length l_{min} which is 300 mm longer than the measured item and a width of at least 750 mm, on which the tensioning apparatus is mounted centrally. The tensioning apparatus consists of a rigid rod with the same length as the table top on which two freely-sliding clamps are mounted. One clamp is fixed in any position along the rod by means of a grub screw, the other is connected via two pulleys mounted on low friction ball bearings to a mass of 1 kg suspended over the end of the table top. Both clamps are fitted with jaws of 80 mm width. The rod is securely attached to the table top by a fixing post at each end.

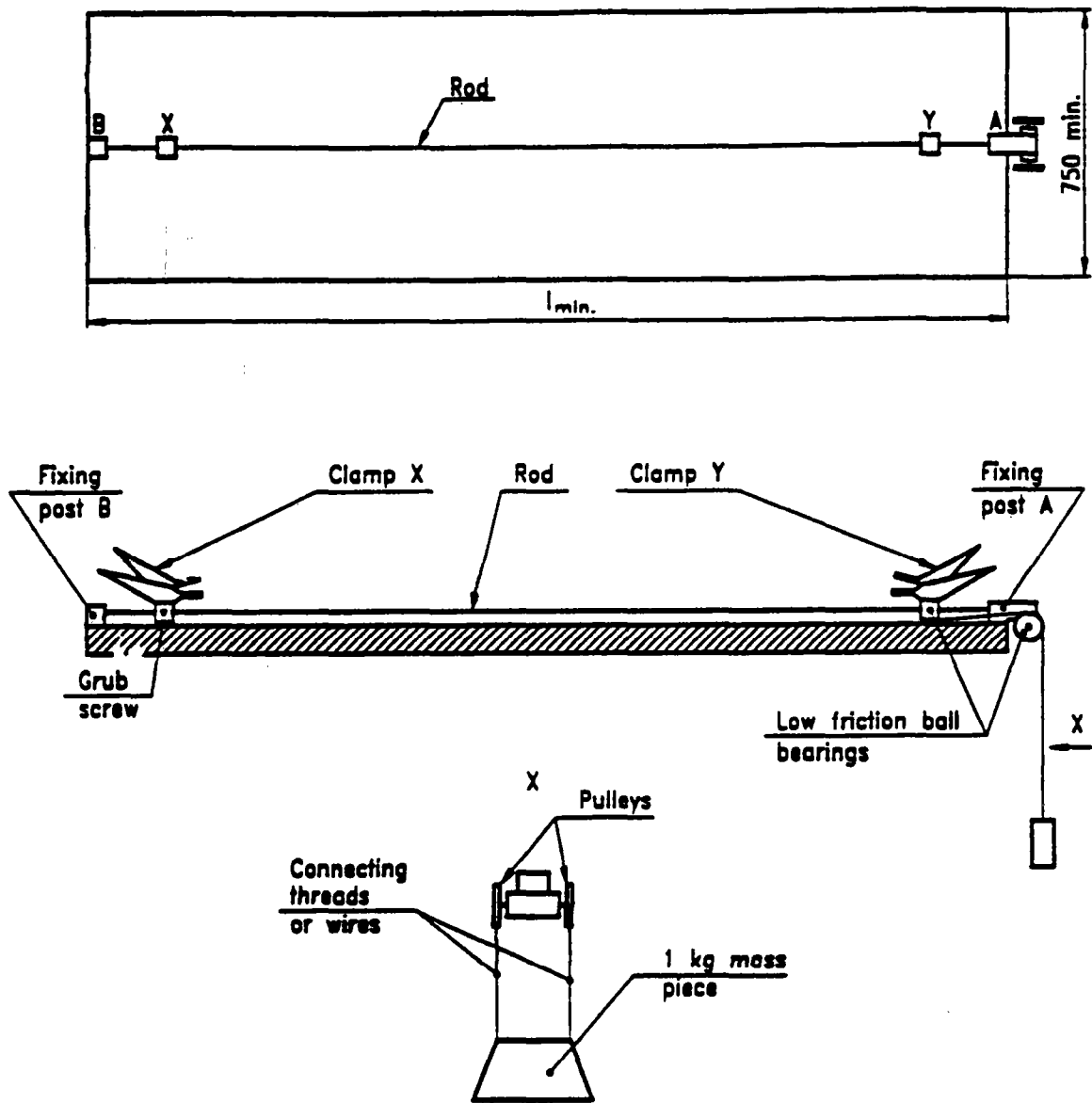


Figure 1: Apparatus for the measurement of dimensions of quilts (see clause 4)